



**PRICE LIST**  
Effective August 20, 2022



**FLOW-GUARD™**  
Filtration Products

**PIERCE™**  
FITTINGS



**Grayline™**  
BUTTERFLY VALVES



**Fresno Valves & Castings, Inc.**  
California Sales, Administration & Manufacturing  
7736 East Springfield Avenue  
P.O. Box 40  
Selma, CA 93662-0040  
U.S.A.  
(559) 834-2511  
(800) 333-1658  
FAX: (559) 834-2017  
FAX (Sales Dept.): (559) 834-4821  
www.fresnovalves.com  
info@fresnovalves.com

**Pierce Fittings**  
10 North Garfield Street  
P.O. Box 21209  
Eugene, OR 97402  
U.S.A.  
(541) 485-3111  
(800) 547-5522  
FAX: (541) 485-4339  
pierce@fresnovalves.com

**Arkansas**  
5209 Tahara Industrial Drive  
North Little Rock, AR 72117  
(501) 945-2438  
(800) 282-8221  
FAX: (501) 945-3209  
arkansas@fresnovalves.com

**Florida**  
5235 Kenilworth Blvd.  
Sebring, FL 33870-9703  
(863) 655-3355  
(800) 392-9604  
FAX: (863) 655-4299  
florida@fresnovalves.com

**Texas**  
604 N. Avenue "Q"  
Lubbock, TX 79403-2621  
(806) 744-9694  
(800) 537-3766  
FAX: (806) 744-2000  
texas@fresnovalves.com

**Colorado**  
4245 Industrial Parkway  
Evans, CO 80620-3208  
(970) 330-1750  
(888) 239-8668  
FAX: (970) 506-0772  
colorado@fresnovalves.com

**Idaho**  
211 Bridon Way  
Jerome, ID 83338-6107  
(208) 324-2963  
(800) 898-2045  
FAX: (208) 324-7612  
idaho@fresnovalves.com

**Washington**  
103 E. Kennewick Ave.  
Kennewick, WA 99336-3746  
(509) 586-4000  
(800) 524-6225  
FAX: (509) 586-8277  
washington@fresnovalves.com

# Table of Contents

<b>SECTION 1</b>		<b>SECTION 5</b>	
<b>Overflow Valves . . . . .</b>	<b>1</b>	<b>Line Gate Valves . . . . .</b>	<b>26</b>
Series 2000 Clover Valve . . . . .	1	Series 4000 Bellmouth Type Hub End	
Series 2400 Clover Valve with SW Frame . . . . .	2	Gate Valve . . . . .	26
Series 2100 Orchard Valve . . . . .	3	Series 4000 PW, YW, & SW Line Gate . . . . .	26-28
Series 2300 Grazing Valve . . . . .	4	Series 4200 Type W Pressure Gate . . . . .	29-30
Series 2200 Valley Valve . . . . .	5	<b>Gates &amp; Lifts . . . . .</b>	<b>31</b>
Series 2400 Grazing Valve with SW Frame . . . . .	6	Series 6600 Model 101C Slide Gate . . . . .	31-32
Series 2500 Alfalfa Valve with SW Frame . . . . .	7	Series 6400 Model 20-10C Medium	
Series 2600 Type B Alfalfa Valve . . . . .	8	Duty Sluice Gate . . . . .	33-34
Series 2800 Type RB Alfalfa Valve . . . . .	9	Series 6700 Model 1001C	
Series 2800 Type SA Alfalfa Valve . . . . .	10	Combination Gate . . . . .	35
Series 2900 Type S Alfalfa Valve . . . . .	11	Series 7000 Handwheel Lifts and	
		Ball Bearing Lifts . . . . .	36
<b>SECTION 2</b>		Series 6800 Shear Gate . . . . .	37
<b>Air Vents . . . . .</b>	<b>12</b>	Series 5200 Galvanized Slide Gate . . . . .	37
Series 3000 Air Vent . . . . .	12	Series 5500 Galvanized Toggle Gate . . . . .	37
Plastic Air Vent . . . . .	12	Series 5300 Galvanized Distributing Gates . . . . .	38
Series 3500 Model 35 Continuous Acting			
Air & Vacuum Relief . . . . .	13	<b>SECTION 6</b>	
<b>Pressure Reliefs . . . . .</b>	<b>14</b>	<b>Dairy Flush . . . . .</b>	<b>39</b>
Series 3100 Pressure Reliefs . . . . .	14	Series 3300 Dairy Flush . . . . .	39
Series 3100 Pressure Relief Valve Parts . . . . .	15	<b>Hydrants . . . . .</b>	<b>40</b>
		Series 3200 Universal Portable Hydrant . . . . .	40-41
<b>SECTION 3</b>		<b>Oil Pots . . . . .</b>	<b>42</b>
<b>Butterfly Valves . . . . .</b>	<b>16</b>	Aluminum Oil Pots . . . . .	42
Series 8500 Grayline Butterfly Valves . . . . .	16-18		
<b>SECTION 4</b>		<b>SECTION 7</b>	
<b>Flap Gate . . . . .</b>	<b>19</b>	<b>Gate Valves . . . . .</b>	<b>43</b>
Series 6000 Model 10C Flap Gate . . . . .	19	Brass and Bronze Valves . . . . .	43
Series 6200 50C Flap Gate . . . . .	20	<b>Brass Valves . . . . .</b>	<b>44</b>
Series 3800 Type R Flap Gate . . . . .	21	Miscellaneous Brass Valves . . . . .	44
Wall Mount Pressure Relief Valve . . . . .	21	<b>Flanges . . . . .</b>	<b>45</b>
<b>Chemigation &amp; Check Valves . . . . .</b>	<b>22</b>	1/2" Steel Ring Flanges	
Series 3600 Swing Check Valve . . . . .	22	(Flat Faced 150# Drilling) . . . . .	45
Epoxy Chemigation & Check Valves . . . . .	23	Ring Flanges (Flat Faced 150# Drilling) . . . . .	46
Pierce Chemigation & Check Valves . . . . .	24-25	PVC Flange . . . . .	46
Series 3700 Wafer Check Valve . . . . .	25	Blind Flanges . . . . .	47
		Gaskets 150# Drilling . . . . .	47
		<b>Fittings . . . . .</b>	<b>48</b>
		Compression Couplings Flexible Steel . . . . .	48
		Compression Couplings . . . . .	49
		Plastic Drain Valve . . . . .	49
		Draw Band . . . . .	49
		<b>SECTION 8</b>	
		<b>Control Valves . . . . .</b>	<b>50</b>
		Series 9300 Linear Flow Control Valve . . . . .	50-51



# Table of Contents

<b>Solenoids</b> .....	<b>52</b>
SKINNER Solenoid Valve .....	52
<b>Prestolok</b> .....	<b>53</b>
Prestolok Fittings .....	53
<b>Pipe Fittings</b> .....	<b>54</b>
Pipe Fittings .....	54
<b>PVC Ball Valves</b> .....	<b>55</b>
Series 9400 PVC Ball Valves .....	55

## SECTION 9

<b>Miscellaneous</b> .....	<b>56</b>
Miscellaneous Hardware .....	56

## SECTION 10

<b>Filters</b> .....	<b>57</b>
Series 1100 Stainless Steel Sand Media Filters .....	57
Backwash Controllers .....	58
Line Strainers & Housing .....	58
Basket Strainers .....	59
Media Filter Parts and Accessories .....	60-66
Series 1600 Sand Separator .....	66
Series 1200 SSC Backflush Recycle System .	66
Series 1200 SSC Gravity Screen Filters . .	67-70
Series 1300 Stainless Steel Pressurized Screen Filters .....	71-72
Series 1500 Galvanized Screen Filters . . .	73-74

## SECTION 11

<b>Micro Sprayers</b> .....	<b>75</b>
J-95 Micro Sprayer Assemblies .....	75
J-95 Micro Sprayers .....	76

## PIERCE™ FITTINGS

### SECTION 12

<b>Universal</b> .....	<b>78</b>
Universal Fittings .....	78-80
Universal Accessories .....	81-82
Valve Openers .....	83
Universal Parts .....	84
Butterfly Line Valves .....	85-86
Chemigation & Check Valves .....	87-88
Ringlock Fittings .....	89-90
Ringlock Accessories .....	91-92

### SECTION 13

<b>Ringlock</b> .....	<b>93</b>
Valve Stubs .....	93
Gaskets .....	94

### SECTION 14

<b>Epoxy Fittings</b> .....	<b>95</b>
Epoxy Fittings .....	95-106
<b>Galvanized</b> .....	<b>107</b>
Galvanized Flanged Fittings .....	107
Galvanized Spool & Reducing Spools .....	108
Galvanized Grooved Fittings .....	109
Galvanized Foot Valves .....	110

### SECTION 15

<b>Wedge-Tite</b> .....	<b>111</b>
Wedge-Tite® .....	111-114

### SECTION 16

<b>Parts &amp; Accessories</b> .....	<b>115</b>
Parts & Accessories .....	115-118



# Series 2000 Clover Valve



The Series 2000 Clover Valve is an overflow valve designed to provide reliable shut-off and regulation of flow from underground pipelines to irrigation furrows or checks. The Series 2000 performs effective level and drainage control in a wide variety of applications.

**Note:** One Ready Set Ring will be supplied at no charge when purchased with coordinating valve. **Additional Ready Set Rings can be found within the Miscellaneous Hardware on page 56.**

## Valve - Concrete

Size	Acme	Vee	Price
3 1/2"		F020-35000	37.00
4"		F020-40000	43.00
5"		F020-50000	56.00
6"	F020-60000	F020-60001	76.00
6 1/2"		F020-65000	103.00
8"	F020-80000	F020-80001	103.00
10"	F020-10000	F020-10001	133.00
12"	F020-12000	F020-12001	184.00
14"	F020-14000		244.00
16"	F020-16000		361.00
18"	F020-18000		495.00
20"	F020-20000		572.00

## Valve - PVC

Size	Acme	Vee	Price
4"		F020-40005	48.00
5" x 6"		F020-50005	73.00
6"	F020-60005	F020-60006	91.00
8"	F020-80005	F020-80006	110.00
10"	F020-10005	F020-10006	151.00
12"	F020-12005	F020-12006	213.00
14" x 15"	F020-14005		276.00
18"	F020-18005		564.00
20"	F020-20005		675.00

## Valve Parts



Size	Frame Concrete	Frame PVC	Cover Complete	Packed Cover	Cover Gasket	Screw Complete	Screw	Washer	Nut
3"	15.00		32.00	10.00	3.25	22.00	18.00	3.00	3.00
Vee	F020-30140		F020-30110	F020-30120	F020-30190	F020-30130	F020-30260	F020-3080	F902-552
3 1/2"	16.00		32.00	11.00	3.75	22.00	18.00	3.00	3.00
Vee	F020-35140		F020-35110	F020-35120	F020-35190	F020-30130	F020-30260	F020-3080	F902-552
4"	17.00	24.00	42.00	14.00	3.75	22.00	18.00	3.00	3.00
Vee	F020-40140	F020-40145	F020-40110	F020-40120	F020-40190	F020-30130	F020-30260	F020-3080	F902-552
5"	18.00		42.00	15.00	6.25	26.00	22.00	3.00	3.00
Vee	F020-50140		F020-50110	F020-50120	F020-50190	F020-50130	F020-50260	F020-3080	F902-552
5" x 6"		35.00	42.00	15.00	6.25	26.00	22.00	3.00	3.00
Vee		F020-50145	F020-50110	F020-50120	F020-50190	F020-50130	F020-50260	F020-3080	F902-552
6"	32.00	38.00	56.00	21.00	6.75	38.00	30.00	3.50	7.00
Acme	F020-60140	F020-60145	F020-60110	F020-60120	F020-60190	F020-60130	F020-60260	F020-6080	F020-60270
Vee	F020-60141	F020-60146	F020-60111	F020-60121	F020-60190	F020-60131	F020-60261	F020-6081	F020-60271
6 1/2"	38.00		66.00	21.00	7.50	38.00	30.00	3.50	7.00
Vee	F020-65140		F020-65110	F020-65120	F020-65190	F020-60131	F020-60261	F020-6081	F020-60271
8"	41.00	45.00	69.00	27.00	7.50	38.00	30.00	3.50	7.00
Acme	F020-80140	F020-80145	F020-80110	F020-80120	F020-80190	F020-60130	F020-60260	F020-6080	F020-60270
Vee	F020-80141	F020-80146	F020-80111P	F020-80121P	F020-80190	F020-60131	F020-60261	F020-6081	F020-60271
10"	58.00	66.00	96.00	51.00	7.75	64.00	57.00	3.50	8.00
Acme	F020-10140	F020-10145	F020-10110	F020-10120	F020-10190	F020-10130	F020-10260	F020-1080	F020-10270
Vee	F020-10141	F020-10146	F020-10111	F020-10121P	F020-10190	F020-10131	F020-10261	F020-6080	F020-10271
12"	68.00	87.00	134.00	59.00	9.25	64.00	57.00	3.50	8.00
Acme	F020-12140	F020-12145	F020-12110	F020-12120	F020-12190	F020-10130	F020-10260	F020-1080	F020-10270
Vee	F020-12141	F020-12146	F020-12111	F020-12121P	F020-12190	F020-10131	F020-10261	F020-6080	F020-10271
14"	97.00		171.00	106.00	14.00	64.00	57.00	3.50	8.00
Acme	F020-14140		F020-14110	F020-14120	F020-14190	F020-10130	F020-10260	F020-1080	F020-10270
14" x 15"		167.00	171.00	106.00	14.00	64.00	57.00	3.50	8.00
Acme		F020-14145	F020-14110	F020-14120	F020-14190	F020-10130	F020-10260	F020-1080	F020-10270
16"	166.00		261.00	134.00	17.00	125.00	116.00	3.75	10.00
Acme	F020-16140		F028-16110	F028-16120	F020-16190	F020-16130	F020-16160	F028-1285	F020-16270
18"	195.00	265.00	306.00	178.00	24.00	125.00	116.00	3.75	10.00
Acme	F020-18140	F020-18145	F028-18110	F028-18120	F020-18190	F020-16130	F020-16160	F028-1285	F020-16270
20"	294.00	340.00	333.00	275.00	31.00	125.00	116.00	3.75	10.00
Acme	F020-20140	F020-20145	F020-20110	F020-20120	F020-20190	F020-16130	F020-16160	F028-1285	F020-16270

# Series 2400 Clover Valve with SW Frame



The Series 2400 Clover Valve with the solvent weld (SW) frame is an overflow valve designed for use in the same application as our popular Clover Valves for concrete and PVC. The Series 2400 features a Schedule 80 plastic skirt for easy installation using standard PVC cement for attaching instead of epoxy. Saves valuable time and money.

## IPS Valve

Size	Acme	Vee	Price
2"		F024-020-003	80.00
4"		F024-040-000	99.00
5" x 6"		F024-050-003	112.00
6"	F024-060-002	F024-060-003	133.00
8"	F024-080-002	F024-080-003	167.00
10"	F024-100-002	F024-100-003	234.00
12"	F024-120-002	F024-120-003	271.00

## PIP Valve

Size	Acme	Vee	Price
5" x 6"		F024-050-001	112.00
6"	F024-060-000	F024-060-001	133.00
8"	F024-080-000	F024-080-001	167.00
10"	F024-100-000	F024-100-001	234.00
12"	F024-120-000	F024-120-001	271.00
14" x 15"	F024-140-000		381.00

## Valve Parts



Size	Frame IPS	Frame PIP	Cover Complete	Packed Cover	Cover Gasket	Screw Complete	Screw	Washer	Nut
2"	34.00		42.00	14.00	3.75	22.00	18.00	3.00	3.00
Vee	F018-20247		F020-02110	F020-02120	F020-02190	F020-30130	F020-30260	F020-3080	F902-552
4"	57.00		42.00	14.00	3.75	22.00	18.00	3.00	3.00
Vee	F024-040-140		F020-40110	F020-40120	F020-40190	F020-30130	F020-30260	F020-3080	F902-552
5" x 6"	73.00	73.00	42.00	15.00	6.25	26.00	22.00	3.00	7.00
Vee	F024-050-143	F024-050-141	F020-50110	F020-50120	F020-50190	F020-50130	F020-50260	F020-3080	F020-60271
6"	77.00	77.00	56.00	21.00	6.75	38.00	30.00	3.50	7.00
Acme	F024-060-142	F024-060-140	F020-60110	F020-60120	F020-60190	F020-60130	F020-60260	F020-6080	F020-60270
Vee	F024-060-143	F024-060-141	F020-60111	F020-60121	F020-60190	F020-60131	F020-60261	F020-6081	F020-60271
8"	111.00	111.00	69.00	27.00	7.50	38.00	30.00	3.50	7.00
Acme	F024-080-142	F024-080-140	F020-80110	F020-80120	F020-80190	F020-60130	F020-60260	F020-6080	F020-60270
Vee	F024-080-143	F024-080-141	F020-80111P	F020-80121P	F020-80190	F020-60131	F020-60261	F020-6081	F020-60271
10"	147.00	147.00	96.00	51.00	7.75	64.00	57.00	3.50	8.00
Acme	F024-100-142	F024-100-140	F020-10110	F020-10120	F020-10190	F020-10130	F020-10260	F020-1080	F020-10270
Vee	F024-100-143	F024-100-141	F020-10111	F020-10121P	F020-10190	F020-10131	F020-10261	F020-6080	F020-10271
12"	167.00	167.00	134.00	59.00	9.25	64.00	57.00	3.50	8.00
Acme	F024-120-142	F024-120-140	F020-12110	F020-12120	F020-12190	F020-10130	F020-10260	F020-1080	F020-10270
Vee	F024-120-143	F024-120-141	F020-12111	F020-12121P	F020-12190	F020-10131	F020-10261	F020-6080	F020-10271
14" x 15"		316.00	171.00	106.00	14.00	64.00	57.00	3.50	8.00
Acme		F024-140-140	F020-14110	F020-14120	F020-14190	F020-10130	F020-10260	F020-1080	F020-10270

# Series 2100 Orchard Valve

The Series 2100 Orchard Valve is an overflow valve designed to provide reliable shut-off and regulation of flow from concrete pipelines to irrigation furrows or checks.



Size	Part Number	Price
3-1/2" x 6" Vee	F021-35000	64.00
5" x 8" Vee	F021-50000	89.00
6-1/2" x 10" Vee	F021-65000	105.00
8" x 12" Vee	F021-80000	117.00
10" x 14" Vee	F021-10000	206.00

## Valve Parts



Size	Frame	Cover Complete	Packed Cover	Cover Gasket	Screw Complete
3-1/2" x 6" Vee	30.00 F021-35240	32.00 F020-35110	11.00 F020-35120	3.75 F020-35190	22.00 F020-30130
5" x 8" Vee	43.00 F021-50240	42.00 F020-50110	15.00 F020-50120	6.25 F020-50190	26.00 F020-50130
6-1/2" x 10" Vee	50.00 F021-65240	66.00 F020-65110	21.00 F020-65120	7.50 F020-65190	38.00 F020-60131
8" x 12" Vee	54.00 F021-80240	69.00 F020-80111P	27.00 F020-80121P	7.50 F020-80190	38.00 F020-60131
10" x 14" Vee	103.00 F021-10240	96.00 F020-10111	51.00 F020-10121P	7.75 F020-10190	64.00 F020-10131



Size	Screw	Washer	Nut
3-1/2" x 6" Vee	18.00 F020-30260	3.00 F020-3080	3.00 F902-552
5" x 8" Vee	22.00 F020-50260	3.00 F020-3080	3.00 F902-552
6-1/2" x 10" Vee	30.00 F020-60261	3.50 F020-6081	7.00 F020-60271
8" x 12" Vee	30.00 F020-60261	3.50 F020-6081	7.00 F020-60271
10" x 14" Vee	57.00 F020-10261	3.50 F020-6080	8.00 F020-10271

Note: Available with Martin Thread - Special Order

# Series 2300 Grazing Valve



The Series 2300 Grazing Valve is an overflow valve designed to provide reliable shut-off and regulation of flow from underground pipelines to irrigation furrows or checks. The stem of this valve does not project over the cover, making it less susceptible to damage or theft.

## Valve - Concrete

Size	Type	Part Number	Price
3-1/2"	Vee	F023-35000	51.00
5"	Vee	F023-50000	68.00
6"	Acme	F023-60000	82.00
6-1/2"	Vee	F023-65000	83.00
8"	Acme	F023-80000	97.00
10"	Acme	F023-10000	149.00
12"	Acme	F023-12000	205.00

## Valve - PVC

Size	Type	Part Number	Price
5" x 6"	Vee	F023-50005	92.00
6"	Acme	F023-60005	92.00
8"	Acme	F023-80005	114.00
10"	Acme	F023-10005	163.00
12"	Acme	F023-12005	214.00

## Valve Parts



Size	Concrete Frame	PVC Frame	Cover Complete	Packed Cover	Cover Gasket
3 1/2"	16.00		41.00	13.00	3.75
Vee	F020-35140		F023-35110	F023-35120	F020-35190
5"	18.00		57.00	17.00	6.25
Vee	F020-50140		F023-50110	F023-50120	F020-50190
5" x 6"		35.00	57.00	17.00	6.25
Vee		F020-50145	F023-50110	F023-50120	F020-50190
6"	32.00	38.00	67.00	25.00	6.75
Acme	F020-60140	F020-60145	F023-60110	F023-60120	F020-60190
6 1/2"	38.00		70.00	25.00	6.75
Vee	F020-65140		F023-65110	F023-65120	F020-60190
8"	41.00	45.00	75.00	35.00	7.50
Acme	F020-80140	F020-80145	F023-80110	F023-80120	F020-80190
10"	58.00	66.00	128.00	61.00	7.75
Acme	F020-10140	F020-10145	F023-10110	F023-10120	F020-10190
12"	68.00	87.00	138.00	72.00	9.25
Acme	F020-12140	F020-12145	F023-12110	F023-12120	F020-12190



Size	Screw Complete	Screw	Washer	Nut	Key*
3 1/2"	29.00	24.00	3.00	3.00	14.00
Vee	F023-35130	F023-35260	F020-3080	F902-552	YFV023-3592
5"	29.00	24.00	3.00	3.00	14.00
Vee	F023-35130	F023-35260	F020-3080	F902-552	YFV023-3592
5" x 6"	29.00	24.00	3.00	3.00	14.00
Vee	F023-35130	F023-35260	F020-3080	F902-552	YFV023-3592
6"	41.00	36.00	3.50	7.00	22.00
Acme	F023-60130	F023-60260	F020-6080	F020-60270	YFV023-6092
6 1/2"	41.00	36.00	3.50	7.00	22.00
Vee	F023-60131	F023-60261	F020-6081	F020-60271	YFV023-6092
8"	41.00	36.00	3.50	7.00	22.00
Acme	F023-60130	F023-60260	F020-6080	F020-60270	YFV023-6092
10"	65.00	58.00	3.50	8.00	22.00
Acme	F023-10130	F023-10260	F020-1080	F020-10270	YFV023-6092
12"	65.00	58.00	3.50	8.00	22.00
Acme	F023-10130	F023-10260	F020-1080	F020-10270	YFV023-6092

\*Note: Two standard valve keys provided with purchase of ten or more valves (36" extended keys, F023-60195, available at additional price of \$115.00)





# Series 2200 Valley Valve

The Series 2200 Valley Alfalfa Valve is an overflow valve which features a concave cover and either a solid or removable arch. Used in conjunction with portable universal, side clamp hydrants and gated pipe.



Valve Concrete

Size	Part Number	Price
8"	F022-80000	222.00
10"	F022-10000	282.00
12"	F022-12000	291.00
14"	F022-14000	457.00



Removable Arch PVC

Size	Part Number	Price
8"	F022-80005	246.00
10"	F022-10005	313.00
12"	F022-12005	364.00
14"	F022-14005	508.00



Solid Arch PVC

Size	Part Number	Price
8"	F022-80007	203.00
10"	F022-10007	246.00
12"	F022-12007	299.00

## Valve Parts



Size	Frame Concrete	Frame Removable Arch PVC	Frame Solid Arch PVC	Spider w/Latch	Latch & Pin	Cover Complete
8"	118.00 F028-80240	129.00 F028-80245	129.00 F022-80247	50.00 F022-80122	9.00 F022-80196	110.00 F022-80110
10"	136.00 F028-10240	151.00 F028-10245	154.00 F022-10247	68.00 F022-10122	9.00 F022-80196	133.00 F022-10110
12"	154.00 F028-12240	184.00 F028-12245	190.00 F022-12247	75.00 F022-12122	9.00 F022-80196	140.00 F022-12110
14"	173.00 F028-14240	204.00 F028-14245		87.00 F022-14122	9.00 F022-80196	229.00 F022-14110



Size	Packed Cover	Gasket	Screw Complete	Screw	Brass Washer	Nut	O-Ring
8"	29.00 F022-80120	7.50 F020-80190	62.00 F022-80135	56.00 F022-80160	2.00 F028-8085	6.00 F028-80275	2.00 F943-211
10"	51.00 F022-10120	7.75 F020-10190	69.00 F028-10135	65.00 F028-10165	3.00 F028-1085	8.00 F028-10275	2.25 F943-213
12"	60.00 F022-12120	9.25 F020-12190	81.00 F022-12135	72.00 F022-12165	3.75 F028-1285	10.00 F020-16270	2.75 F943-215
14"	108.00 F022-14120	14.00 F020-14190	122.00 F022-14130	113.00 F022-14160	5.00 F022-1485	15.00 F022-14270	3.00 F943-217

# Series 2400 *Grazing Valve with SW Frame*



The Series 2400 Grazing Valve with the solvent weld (SW) frame is an overflow valve designed for use in the same application as the Series 2300 Grazing Valve for concrete and PVC. The Series 2400 features a Schedule 80 plastic skirt for easy installation using standard PVC cement for attaching instead of epoxy. Saves valuable time and money.

## IPS Valve

Size	Thread Type	Part Number	Price
6"	Acme	F024-060-022	143.00
	Vee	F024-060-023	
8"	Acme	F024-080-022	183.00
	Vee	F024-080-023	
10"	Acme	F024-100-022	245.00
	Vee	F024-100-023	
12"	Acme	F024-120-022	266.00
	Vee	F024-120-023	

## PIP Valve

Size	Thread Type	Part Number	Price
6"	Acme	F024-060-020	143.00
	Vee	F024-060-021	
8"	Acme	F024-080-020	183.00
	Vee	F024-080-021	
10"	Acme	F024-100-020	245.00
	Vee	F024-100-021	
12"	Acme	F024-120-020	266.00
	Vee	F024-120-021	

## Valve Parts



Size	IPS Frame	PIP Frame	Cover Complete	Packed Cover	Cover Gasket
6"	77.00	77.00	67.00	25.00	6.75
	Acme F024-060-142	F024-060-140	F023-60110	F023-60120	F020-60190
6"	Vee F024-060-143	F024-060-141	F023-60111	F023-60121	F020-60190
	8"	111.00	111.00	75.00	35.00
Acme F024-080-142		F024-080-140	F023-80110	F023-80120	F020-80190
8"	Vee F024-080-143	F024-080-141	F023-80111	F023-80121	F020-80190
	10"	147.00	147.00	125.00	61.00
Acme F024-100-142		F024-100-140	F023-10110	F023-10120	F020-10190
10"	Vee F024-100-143	F024-100-141	F023-10111	F023-10121	F020-10190
	12"	167.00	167.00	138.00	72.00
Acme F024-120-142		F024-120-140	F023-12110	F023-12120	F020-12190
12"	Vee F024-120-143	F024-120-141	F023-12111	F023-12121	F020-12190



Size	Screw Complete	Screw	Washer	Nut
6"	41.00	36.00	3.50	7.00
	Acme F023-60130	F023-60260	F020-6080	F020-60270
6"	Vee F023-60131	F023-60261	F020-6081	F020-60271
	8"	41.00	36.00	3.50
Acme F023-60130		F023-60260	F020-6080	F020-60270
8"	Vee F023-60131	F023-60261	F020-6081	F020-60271
	10"	65.00	58.00	3.50
Acme F023-10130		F023-10260	F020-1080	F020-10270
10"	Vee F023-10131	F023-10261	F020-1080	F020-10271
	12"	65.00	58.00	3.50
Acme F023-10130		F023-10260	F020-1080	F020-10270
12"	Vee F023-10131	F023-10261	F020-1080	F020-10271

# Series 2500 Alfalfa Valve with SW Frame



The Series 2500 Alfalfa Valve with solvent weld (SW) frame is an Alfalfa Valve designed for use in the same application as our popular Alfalfa Valves for concrete and PVC. The Series 2500 features a Schedule 80 plastic skirt for easy installation using standard PVC cement instead of epoxy. Use of these valves can save valuable time and money.

## PIP Valve

Size	Part Number	Price
8"	F025-080-000	242.00
10"	F025-100-000	291.00
12"	F025-120-000	333.00
14"	F025-140-000	527.00

## IPS Valve

Size	Part Number	Price
8"	F025-080-002	242.00
10"	F025-100-002	291.00
12"	F025-120-002	333.00

## Valve Parts



Size	PIP Frame	IPS Frame	Cover Complete	Packed Cover	Cover Gasket
8"	153.00 F025-080-140	153.00 F025-080-142	109.00 F028-80115	27.00 F028-80125	7.50 F020-80190
10"	184.00 F025-100-140	184.00 F025-100-142	131.00 F028-10115	51.00 F028-10125	7.75 F020-10190
12"	222.00 F025-120-140	222.00 F025-120-142	139.00 F028-12110	59.00 F028-12120	9.25 F020-12190
14"	394.00 F025-140-140		226.00 F028-14110	107.00 F028-14120	14.00 F020-14190



Size	Screw Complete	Screw	Washer	Nut	O-Ring	SS Cross Pin
8"	62.00 F028-80135	55.00 F028-80165	2.00 F028-8085	6.00 F028-80275	2.00 F943-211	14.00 F020-10195
10"	69.00 F028-10135	65.00 F028-10165	3.00 F028-1085	8.00 F028-10275	2.25 F943-213	14.00 F020-10195
12"	81.00 F028-12135	72.00 F028-12165	3.75 F028-1285	10.00 F020-16270	2.75 F943-215	14.00 F020-10195
14"	122.00 F028-14130	113.00 F028-14160	3.75 F028-1285	10.00 F020-16270	2.75 F943-215	

# Series 2600 Type B Alfa Valve



The Series 2600 Type B Alfa Valve provides flow control from underground pipelines. Also used in conjunction with portable, universal, and side clamp hydrants and gated pipe in row crop irrigation.

## Valve - Concrete

Size	Part Number	Price
6"	F026-60000	166.00
8"	F026-80000	174.00
10"	F026-10000	191.00
12"	F026-12000	238.00
14"	F026-14000	351.00
16"	F026-16000	484.00
18"	F026-18000	608.00
20"	F026-20000	788.00
24"	F026-24000	1,034.00

## Valve - PVC

Size	Part Number	Price
8"	F026-80005	205.00
10"	F026-10005	272.00
12"	F026-12005	305.00

## Valve Parts



Size	Frame Concrete	Frame PVC	Cover Complete	Packed Cover	Gasket	Screw Complete
6"	57.00		107.00	40.00	6.75	76.00
Acme	F026-60240		F026-60110	F026-60120	F026-60190	F026-60130
8"	70.00	112.00	130.00	54.00	7.75	76.00
Acme	F026-80240	F026-80245	F026-80110	F026-80120	F026-80190	F026-60130
10"	93.00	136.00	148.00	72.00	8.25	76.00
Acme	F026-10240	F026-10245	F026-10110	F026-10120	F026-10190	F026-60130
12"	102.00	166.00	164.00	82.00	12.00	84.00
Acme	F026-12240	F026-12245	F026-12110	F026-12120	F026-12190	F026-12130
14"	224.00		217.00	131.00	16.00	84.00
Acme	F026-14240		F026-14110	F026-14120	F026-14190	F026-12130
16"	242.00		340.00	161.00	23.00	178.00
Acme	F026-16240		F026-16110	F026-16120	F026-16190	F026-16130
18"	334.00		377.00	200.00	29.00	178.00
Acme	F026-18240		F026-18110	F026-18120	F026-18190	F026-16130
20"	431.00		484.00	271.00	33.00	216.00
Acme	F026-20240		F026-20110	F026-20120	F026-20190	F026-20130
24"	656.00		593.00	375.00	41.00	216.00
Acme	F026-24240		F026-24110	F026-24120	F026-24190	F026-20130

Size	Screw	SS Cross Pin	Washer	Gland Nut	Stop Nut w/ Pin	Bronze Bushing
6"	62.00	14.00	4.25	11.00		
Acme	F026-60160	F020-10195	F026-6080	F026-60270		
8"	62.00	14.00	4.25	11.00		
Acme	F026-60160	F020-10195	F026-6080	F026-60270		
10"	62.00	14.00	4.25	11.00		
Acme	F026-60160	F020-10195	F026-6080	F026-60270		
12"	69.00	14.00	4.25	12.00		
Acme	F026-12160	F020-10195	F026-1280	F026-12270		
14"	69.00	14.00	4.25	12.00		
Acme	F026-12160	F020-10195	F026-1280	F026-12270		
16"	143.00	15.00	5.25	17.00	49.00	
Acme	F026-16162	F020-16195	F026-1682	F026-16270	F026-16136	
18"	143.00	15.00	5.25	17.00	49.00	40.00
Acme	F026-16160	F020-16195	F026-1682	F026-16270	F026-16136	F026-16276
20"	178.00	15.00	5.25	17.00	49.00	40.00
Acme	F026-20160	F020-16195	F026-1682	F026-20270	F026-16136	F026-16276
24"	178.00	15.00	5.25	17.00	49.00	40.00
Acme	F026-20160	F020-16195	F026-1682	F026-20270	F026-16136	F026-16276



# Series 2800 Type RB Alfalfa Valve

## Removable Arch (Spider)



The Series 2800 Type RB Alfalfa Valve provides reliable shut-off and regulation from underground pipelines. The Series 2800 features a removable arch for easy line access. Very effective with portable, universal and side clamp hydrants and gated pipe in row crop irrigation.

### Valve - Concrete

Valve Size	Part Number	Price
8"	F028-80000	211.00
10"	F028-10000	260.00
12"	F028-12000	291.00
14"	F028-14000	427.00
16"	F028-16000	537.00
18"	F028-18000	1,149.00

### Valve - PVC

Valve Size	Part Number	Price
8"	F028-80003	232.00
10"	F028-10003	289.00
12"	F028-12005	326.00
14" x 15"	F028-14005	462.00
18"	F028-18005	1,545.00

### Valve Parts



Size	Concrete Frame	PVC Frame	Cover Complete	Packed Cover	Cover Gasket	Spider w/Latch
8"	118.00	129.00	109.00	27.00	7.50	64.00
	F028-80240	F028-80245	F028-80115	F028-80125	F020-80190	F028-80123
10"	136.00	151.00	131.00	51.00	7.75	76.00
	F028-10240	F028-10245	F028-10115	F028-10125	F020-10190	F028-10123
12"	154.00	184.00	139.00	59.00	9.25	84.00
	F028-12240	F028-12245	F028-12110	F028-12120	F020-12190	F028-12122
14"	173.00		226.00	107.00	14.00	104.00
	F028-14240		F028-14110	F028-14120	F020-14190	F028-14122
14" x 15"		204.00	226.00	107.00	14.00	104.00
		F028-14245	F028-14110	F028-14120	F020-14190	F028-14122
16"	279.00		261.00	134.00	17.00	140.00
	F028-16240		F028-16110	F028-16120	F020-16190	F028-16122
18"	322.00	1,193.00	306.00	178.00	24.00	195.00
	F028-18240	F028-18245	F028-18110	F028-18120	F020-18190	F028-18122



Size	Screw Complete	Screw	Nut	Washer	O-Ring	Cross Pin
8"	62.00	55.00	6.00	2.00	2.00	14.00
	F028-80135	F028-80165	F028-80275	F028-8085	F943-211	F020-10195
10"	69.00	65.00	8.00	3.00	2.25	14.00
	F028-10135	F028-10165	F028-10275	F028-1085	F943-213	F020-10195
12"	81.00	72.00	10.00	3.75	2.75	14.00
	F028-12135	F028-12165	F020-16270	F028-1285	F943-215	F020-10195
14"	122.00	113.00	10.00	3.75	2.75	15.00
	F028-14130	F028-14160	F020-16270	F028-1285	F943-215	F020-16195
14" x 15"	122.00	113.00	10.00	3.75	2.75	15.00
	F028-14130	F028-14160	F020-16270	F028-1285	F943-215	F020-16195
16"	125.00	116.00	10.00	3.75	2.75	15.00
	F020-16130	F020-16160	F020-16270	F028-1285	F943-215	F020-16195
18"	125.00	116.00	10.00	3.75	2.75	15.00
	F020-16130	F020-16160	F020-16270	F028-1285	F943-215	F020-16195

# Series 2800 Type SA Alfalfa Valve



## SOLID ARCH

The Series 2800 Type SA Alfalfa Valve is an overflow valve with a heavy-duty solid arch for use with plastic pipe. This valve is also effective with portable, universal, side-clamp hydrants and gated pipe in row crop irrigation.

Size	Part Number	Price
6"	F028-60007	176.00
8"	F028-80007	191.00
10"	F028-10007	228.00
10" x 8"	F028-10008	245.00
12"	F028-12007	286.00
12" x 8"	F028-12009	295.00
12" x 10"	F028-12008	298.00

## Valve Parts



Size	Frame	Cover Complete	Packed Cover	Gasket	Screw Complete
6"	94.00 F028-60247	82.00 F028-60115	21.00 F028-60125	6.75 F020-60190	62.00 F028-80135
8"	119.00 F028-80247	109.00 F028-80115	27.00 F028-80125	7.50 F020-80190	62.00 F028-80135
10"	146.00 F028-10247	131.00 F028-10115	51.00 F028-10125	7.75 F020-10190	69.00 F028-10135
10" x 8"	201.00 F028-10248	131.00 F028-10115	51.00 F028-10125	7.75 F020-10190	69.00 F028-10135
12"	203.00 F028-12247	139.00 F028-12110	59.00 F028-12120	9.25 F020-12190	81.00 F028-12135
12" x 8"	203.00 F028-12249	139.00 F028-12110	59.00 F028-12120	9.25 F020-12190	81.00 F028-12135
12" x 10"	203.00 F028-12248	139.00 F028-12110	59.00 F028-12120	9.25 F020-12190	81.00 F028-12135



Size	Screw	Washer	Nut
6"	55.00 F028-80165	2.00 F028-8085	6.00 F028-80275
8"	55.00 F028-80165	2.00 F028-8085	6.00 F028-80275
10"	65.00 F028-10165	3.00 F028-1085	8.00 F028-10275
10" x 8"	65.00 F028-10165	3.00 F028-1085	8.00 F028-10275
12"	72.00 F028-12165	3.75 F028-1285	10.00 F020-16270
12" x 8"	72.00 F028-12165	3.75 F028-1285	10.00 F020-16270
12" x 10"	72.00 F028-12165	3.75 F028-1285	10.00 F020-16270

# Series 2900 Type S Alfalfa Valve

The Series 2900 Type S Alfalfa Valve is an overflow valve. 10" thru 14" are designed to be interchangeable with Snow (Ideal) Alfalfa Valves. 20" thru 24" are not interchangeable with old style Snow Valves.



Size	Part Number	Price
10"	F029-10000	223.00
12"	F029-12000	256.00
14"	F029-14000	375.00

## Valve Parts



Size	Frame	Cover Complete	Packed Cover	Gasket	(Arch) Spider
10"	92.00 F029-10245	131.00 F029-10110	50.00 F029-10120	8.00 F029-10190	75.00 F029-10241
12"	115.00 F029-12245	140.00 F029-12110	59.00 F029-12120	9.00 F029-12190	80.00 F029-12241
14"	160.00 F029-14245	225.00 F029-14110	106.00 F029-14120	13.00 F029-14190	95.00 F029-14241



Size	Screw Complete	Screw	Washer	Nut	Cotter Pin
10"	82.00 F029-80130	72.00 F029-80160	5.00 F020-1680	10.00 F020-16270	3.50 F904-216
12"	82.00 F029-80130	72.00 F029-80160	5.00 F020-1680	10.00 F020-16270	3.50 F904-216
14"	122.00 F029-14130	113.00 F029-14160	5.00 F020-1680	10.00 F020-16270	3.50 F904-216

# Series 3000 Air Vent



The Series 3000 Air Vent and Vacuum Relief Valves protect both pressure and gravity systems against pipeline damage by releasing or venting entrapped air during system filling and preventing vacuum locks while the pipeline empties.

Size	Part Number	Price
2"	F030-20003	39.00
3"	F030-30003	79.00
4"	F030-40003	158.00

## Valve Parts

### Body with O-Ring



Size	Part Number	Price
2"	F030-20113	34.00
3"	F030-30113	66.00
4"	F030-40113	111.00

### O-Ring Seal



Size	Part Number	Price
2"	F030-2032	2.25
3"	F030-3032	4.25
4"	F030-4031	4.75

### Ball



Size	Part Number	Price
2"	F030-2040	12.00
3"	F030-3040	52.00
4"	F030-4040	65.00

### Retainer



Size	Part Number	Price
2"	F030-2023	8.25
3"	F030-3023	12.00
4"	F030-4022	13.00

# Plastic Air Vent

Size	Part Number	Price
1"	F030-1000	19.00





# Series 3500 *Model 35 Continuous Acting Air & Vacuum Relief*



The Series 3500 Continuous Acting Air Vent exhausts large volumes of trapped air from pipelines during line filling and continuously releases smaller amounts of entrapped air during system operation. Installed near pumps, on pressure boxes and near check valves, as well as high points and at the ends of lines.

Size	Part Number	Price
2"	F035-20000	254.00
3"	F035-30000	287.00
4"	F035-40000	359.00

## Valve Parts

### Aluminum Body



Size	Part Number	Price
2"	F035-30105	132.00
3"	F035-30105	132.00
4"	F035-40105	168.00

### Shaft



Size	Part Number	Price
2"	F035-3050	8.25
3"	F035-3050	8.25
4"	F035-4050	8.25

### Cast Iron Base



Size	Part Number	Price
2"	F035-20225	60.00
3"	F035-30225	77.00
4"	F035-40225	102.00

### Ball Knob



Size	Part Number	Price
2"	F035-3035	4.50
3"	F035-3035	4.50
4"	F035-3035	4.50

### Ball



Size	Part Number	Price
2"	F035-30128	85.00
3"	F035-30128	85.00
4"	F035-30128	85.00

### Base Gasket



Size	Part Number	Price
2"	F035-3028	7.00
3"	F035-3028	7.00
4"	F035-4028	7.50

### Ball Retainer



Size	Part Number	Price
2"	F035-3020	11.00
3"	F035-3020	11.00
4"	F035-4020	14.00

### Studs & Nuts (Set)



Size	Part Number	Price
2"	F035-20155	12.00
3"	F035-20155	12.00
4"	F035-20155	12.00

### Seal Disc



Size	Part Number	Price
2"	F035-30114	40.00
3"	F035-30114	40.00
4"	F035-40114	47.00

# Series 3100 Pressure Reliefs

## Series 3100 Model PR-600A & PR-600B Pressure Relief Valves

The Series 3100 Pressure Relief Valves are designed to provide effective pressure surge protection for irrigation systems. These spring loaded valves are factory preset and tested to ensure accurate and dependable operation.



Size	Pressure Range (psi)	PR-600A (Factory Set)		PR-600B (Field Set)	
		Part No.	Price	Part No.	Price
2"	0-70	F031-22050A	165.00	F031-22050	145.00
	71-120	F031-22052A	165.00	F031-22052	145.00
2-1/2"	0-70	F031-27050A	167.00	F031-27050	153.00
	71-120	F031-27052A	167.00	F031-27052	153.00
3"	0-60	F031-32050A	207.00	F031-32050	191.00
	61-120	F031-32052A	207.00	F031-32052	191.00
4"	0-50	F031-42050A	259.00	F031-42050	252.00
	51-120	F031-42052A	259.00	F031-42052	252.00

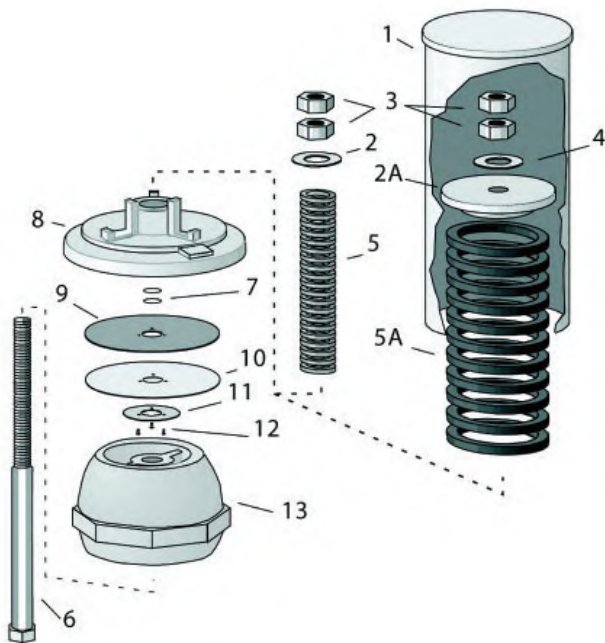
## Series 3100 Model PR-900 Pressure Relief Valves

The Series 3100 Pressure Relief Valve (PR-900) has the same features as the Series 3100 Model PR-600A & PR-600B Pressure Relief Valves, plus a tamper resistant cover.



Size	Pressure Range (psi)	Part No.	Price
3"	0-50	F031-32010	236.00
	51-100	F031-32012	236.00
	101-150	F031-32013	270.00
4"	0-45	F031-42010	299.00
	46-130	F031-42012	321.00
	131-150	F031-42013	355.00
6"	0-50	F031-62010	717.00
	51-90	F031-62011	717.00
	91-120	F031-62012	862.00

## Series 3100 Pressure Relief Valve Parts



### 1 - Cover



Size	ID	Part Number	Price
3"	1	F031-32181	32.00
4"	1	F031-42181	54.00
6"	1	F031-62181	89.00

### 2 - Spring Retainer (Low)



Size	ID	Part Number	Price
3"	2	F031-32220	12.00
4"	2	F031-4120	27.00
6"	2	F031-62221	42.00

### 2A - Spring Retainer (Medium & High)



Size	ID	Part Number	Price
3"	2A	F031-32220	12.00
4"	2A	F031-4120	27.00
6"	2A	F031-62221	42.00

# Series 3100 Pressure Relief Valve Parts

## 3 - Nuts, Adjusting



Size	ID	Part Number	Price
2"	3	F902-059	.50
2-1/2"	3	F902-059	.50
3"	3	F902-059	.50
4"	3	F902-059	.50
6"	3	F902-080	1.00

## 4 - Washer



Size	ID	Part Number	Price
2"	4	F902-261	.50
2-1/2"	4	F902-261	.50
3"	4	F902-261	.50
4"	4	F902-261	.50
6"	4	F902-280	.50

## 5A - Spring - 900 PRV, Low Pressure



Size	Color	ID	Part Number	Price
3"	Orange	5A	F031-32232	39.00
4"	Black	5A	F031-42230	86.00
6"	Blue	5A	F031-42234	94.00

## 5A - Spring - 900 PRV, High Pressure



Size	Color	ID	Part Number	Price
3"	Blue	5A	F031-32234	86.00
4"	Blue	5A	F031-42234	94.00
6"	Blue	5A	F031-62232	178.00

## 5A - Spring - 900 PRV, X-High Pressure (2 req.)



Size	Color	ID	Part Number	Price
3"	Blue	5A	F031-32234	86.00
4"	Blue	5A	F031-42234	94.00
6"	Blue	5A	F031-42234	94.00
3"	Green	5A	F031-3138	69.00
4"	Green	5A	F031-3138	69.00
6"	Blue	5A	F031-62232	178.00

## 5 - Spring - 600 PRV, Low Pressure



Size	Color	ID	Part Number	Price
2"	Gold	5	F031-3136	50.00
2-1/2"	Gold	5	F031-3136	50.00
3"	Gold	5	F031-3136	50.00
4"	Gold	5	F031-3136	50.00

## 5 - Spring - 600 PRV, High Pressure



Size	Color	ID	Part Number	Price
2"	Green	5	F031-3138	69.00
2-1/2"	Green	5	F031-3138	69.00
3"	Green	5	F031-3138	69.00
4"	Green	5	F031-3138	69.00

## 6 - Shaft



Size	ID	Part Number	Price
2"	6	F031-32185	33.00
2-1/2"	6	F031-32185	33.00
3"	6	F031-32185	33.00
4"	6	F031-42185	40.00
6"	6	F031-62185	60.00

## 7 - O-Rings



Size	ID	Part Number	Price
2"	7	F943-114	.75
2-1/2"	7	F943-114	.75
3"	7	F943-114	.75
4"	7	F943-114	.75
6"	7	F943-214	.75

## 8 - Seal Holder



Size	ID	Part Number	Price
2"	8	F031-32190	41.00
2-1/2"	8	F031-32190	41.00
3"	8	F031-32190	41.00
4"	8	F031-42190	93.00
6"	8	F031-62190	203.00

## 9 - Seal Disk (Rubber)



Size	ID	Part Number	Price
2"	9	F031-3156	3.00
2-1/2"	9	F031-3156	3.00
3"	9	F031-3156	3.00
4"	9	F031-4156	5.25
6"	9	F031-6156	10.00

## 10 - Disk (Teflon)



Size	ID	Part Number	Price
2"	10	F031-3158	3.25
2-1/2"	10	F031-3158	3.25
3"	10	F031-3158	3.25
4"	10	F031-4158	7.75
6"	10	F031-6158	11.00

## 11 - Seal Retainer



Size	ID	Part Number	Price
2"	11	F031-32194	5.50
2-1/2"	11	F031-32194	5.50
3"	11	F031-32194	5.50
4"	11	F031-42194	6.50
6"	11	F031-62194	15.00

## 12 - Screws



Size	ID	Part Number	Price
2"	12	F905-020	1.00
2-1/2"	12	F905-020	1.00
3"	12	F905-020	1.00
4"	12	F905-020	1.00
6"	12	F905-020	1.00

## 13 - Base - NPT Thread



Size	ID	Part Number	Price
2"	13	F031-22210	40.00
2-1/2"	13	F031-27210	40.00
3"	13	F031-32210	40.00
4"	13	F031-42210	65.00
6"	13	F031-62210	181.00

## Drive Screw (900 PRV)



Size	Part Number	Price
3"	F923-901	.25
4"	F923-901	.25
6"	F923-901	.25

# Series 8500 *Grayline Butterfly Valves*

The Series 8500 Fresno Butterfly Valves are general purpose, in-line water control valves. Series 8500 Valves are effective for agricultural, industrial and specialty applications. Featuring Stainless Steel disc and Buna N liner, standard.



Valve Size	Lever Operated		Gear Operated	
		w/ Handwheel		w/ 2" Sq Nut
2"	118.00 F085-020-05	198.00 F085-020-10	198.00 F085-020-12	
2-1/2"	128.00 F085-025-05	200.00 F085-025-10	200.00 F085-025-12	
3"	158.00 F085-030-05	236.00 F085-030-10	236.00 F085-030-12	
4"	192.00 F085-040-05	265.00 F085-040-10	265.00 F085-040-12	
5"	228.00 F085-050-05	321.00 F085-050-10	321.00 F085-050-12	
6"	258.00 F085-060-05	351.00 F085-060-10	351.00 F085-060-12	
8"	375.00 F085-080-05	488.00 F085-080-10	488.00 F085-080-12	
10"	520.00 F085-100-05	630.00 F085-100-10	630.00 F085-100-12	
12"	740.00 F085-120-05	872.00 F085-120-10	872.00 F085-120-12	
14"	-	1,264.00 F085-140-10	1,264.00 F085-140-12	
16"	-	1,695.00 F085-160-10	1,695.00 F085-160-12	
18"	-	2,529.00 F085-180-10	2,529.00 F085-180-12	
20"	-	3,473.00 F085-200-10	3,473.00 F085-200-12	
24"	-	5,304.00 F085-240-10	5,304.00 F085-240-12	
30"	-	7,632.00 F085-300-10*	7,632.00 F085-300-12*	
36"	-	13,332.00 F085-360-10*	13,332.00 F085-360-12*	

\*Discs for 30" and 36" gear operated butterfly valves are nickel plated ductile iron.

\$15 added for assembly of valves to extensions (2" – 12").

\$45 added for assembly of valves to extensions (14" and larger).

## Butterfly Stem Extensions



Valve Size	Extension Size				
	24"	36"	48"	60"	72"
2" - 6"	193.00 F084-E020-024	214.00 F084-E020-036	229.00 F084-E020-048	248.00 F084-E020-060	267.00 F084-E020-072
8" - 12"	235.00 F084-E080-024	254.00 F084-E080-036	275.00 F084-E080-048	297.00 F084-E080-060	320.00 F084-E080-072
14" - 16"	553.00 F084-E140-024	582.00 F084-E140-036	613.00 F084-E140-048	640.00 F084-E140-060	672.00 F084-E140-072
18"	748.00 F085-E180-024	760.00 F085-E180-036	793.00 F085-E180-048	875.00 F085-E180-060	925.00 F085-E180-072
20" - 24"	971.00 F085-E200-024	1,038.00 F085-E200-036	1,091.00 F085-E200-048	1,140.00 F085-E200-060	1,235.00 F085-E200-072

Note: Stem extensions for 30" & 36" butterfly valves are available upon request



# Series 8500 Grayline Butterfly Valves

## Valve Parts

### Lever Handle



Size	Part Number	Price
2"	F085-020-62	20.00
2-1/2"	F085-020-62	20.00
3"	F085-020-62	20.00
4"	F085-040-62	20.00
5"	F085-050-62	20.00
6"	F085-060-62	20.00
8"	F085-080-62	32.00
10"	F085-080-62	32.00
12"	F085-080-62	32.00

### 2" Square Nut



Size	Part Number	Price
2"	F084-A02SQ	42.00
2-1/2"	F084-A02SQ	42.00
3"	F084-A02SQ	42.00
4"	F084-A02SQ	42.00
5"	F084-A02SQ	42.00
6"	F084-A02SQ	42.00
8"	F085-A08SQ	54.00
10"	F085-A08SQ	54.00
12"	F085-A08SQ	54.00
14"	F085-A08SQ	54.00
16"	F085-200-78	56.00
18"	F085-200-78	56.00
20"-24"	F085-200-78	56.00

### Gear Box



Size	Part Number	Price
2"	F085-020-70	134.00
2-1/2"	F085-020-70	134.00
3"	F085-020-70	134.00
4"	F085-020-70	134.00
5"	F085-020-70	134.00
6"	F085-020-70	134.00
8"	F085-080-70	252.00
10"	F085-080-70	252.00
12"	F085-080-70	252.00
14"	F085-140-70	274.00
16"	F085-160-70	336.00
18"	F085-180-70	362.00
20"-24"	F085-200-70	488.00

### Lever Lock Plate



Size	Part Number	Price
2"	F085-020-60	5.75
2-1/2"	F085-020-60	5.75
3"	F085-020-60	5.75
4"	F085-020-60	5.75
5"	F085-020-60	5.75
6"	F085-020-60	5.75
8"	F085-080-60	19.00
10"	F085-080-60	19.00
12"	F085-080-60	19.00

### Hand-wheel



Size	Part Number	Price
2"	F085-020-72	42.00
2-1/2"	F085-020-72	42.00
3"	F085-020-72	42.00
4"	F085-020-72	42.00
5"	F085-020-72	42.00
6"	F085-020-72	42.00
8"	F085-080-72	54.00
10"	F085-080-72	54.00
12"	F085-080-72	54.00
14"	F085-080-72	54.00
16"	F085-160-72	56.00
18"	F085-160-72	56.00
20"-24"	F085-200-72	56.00

### Extension Assy. Bolts



Size	Part Number	Price
2"	F085-EB020	2.75
2-1/2"	F085-EB020	2.75
3"	F085-EB020	2.75
4"	F085-EB020	2.75
5"	F085-EB020	2.75
6"	F085-EB020	2.75
8"	F085-EB080	4.00
10"	F085-EB080	4.00
12"	F085-EB080	4.00
14"	F085-EB080	4.00
16"	F085-EB080	4.00
18"	F085-EB180	4.75
20"-24"	F085-EB200	14.00

3 - Butterfly Valves

## Actuators



Size	Electric Actuation*	Pneumatic Actuation
	Part Number	Part Number
2 - 3"	2,593.00	304.00
	F085-AC20-ROM3	F085-020-75
4"	2,593.00	398.00
	F085-AC20-ROM3	F085-040-75
5"	2,593.00	398.00
	F085-AC20-ROM3	F085-050-75
6"	2,593.00	461.00
	F085-AC20-ROM3	F085-060-75
8"	2,593.00	1,072.00
	F085-AC80-ROM3	F085-080-75
10" - 12"	3,219.00	1,072.00
	F085-AC80-ROM4	F085-080-75

\* Rotork ROM series quarter turn actuators for open/close operation (110vac). Price includes adaptors.

# Series 8500 *Grayline Butterfly Valves*

## Butterfly Valve Bolt Packs



Valve Size	D Flange & 1/2" Flange	PVC Flange	Quantity and Size
2" - 3"	7.50 F084-B02U		(4) 5/8"x4"
		9.50 F084-B02P	(4) 5/8"x5"
4"	15.00 F084-B04U		(8) 5/8"x4"
		18.00 F084-B04P	(8) 5/8"x5"
5" - 6"	28.00 F084-B05D		(8) 3/4"x4-1/2"
		35.00 F084-B05P	(8) 3/4"x6"
8"	29.00 F084-B08D		(8) 3/4"x5"
		38.00 F084-B08P	(8) 3/4"x6-1/2"
10"	79.00 F084-B10D		(12) 7/8"x5-1/2"
		77.00 F084-B10P	(12) 7/8"x7"
12"	93.00 F084-B12D		(12) 7/8"x6"
		104.00 F084-B12P	(12) 7/8"x7-1/2"
14"	116.00 F084-B14D	**	(8) 1"x2" + (8) 1"x7"
16"	163.00 F084-B16D	**	(8) 1"x2-1/2" + (12) 1"x7-1/2"
18"	309.00 F084-B18D	**	(8) 1-1/8"x3" + (12) 1-1/8"x8"
20"	341.00 F084-B20D	**	(8) 1-1/8"x3" + (16) 1-1/8"x9"
24"	490.00 F084-B24D	**	(8) 1-1/4"x3-1/2" + (16) 1-1/4"x10"
30"	731.00 F084-B30D	**	(8) 1-1/4"x2-3/4" + (24) 1-1/4"x11"

\*\* For PVC Flange bolts for valve sizes 14" and over, please consult with the Fresno Valves & Castings sales department.

# Series 6000 Model 10C Flap Gate



The Series 6000 Flap Gate Valves allow outflow of water from a pipe or structure to a body of water, but prevent backflow. The Series 6000 is used in systems where seating heads are ten feet or less.

## Flat Back

Size	Part Number	Price
4"	F061-04010	349.00
6"	F060-06010	425.00
8"	F060-08010	455.00
10"	F060-10010	534.00
12"	F060-12010	573.00
15"	F060-15010	795.00
18"	F060-18010	1,255.00
21"	F060-21010	1,391.00
24"	F060-24010	1,804.00
30"	F060-30010	2,734.00
36"	F060-36010	3,164.00
42"	F060-42010	6,125.00
48"	F060-48010	7,707.00
60"	F060-60011	11,922.00

## Spigot Back

Size	Part Number	Price
6"	F060-06000	443.00
8"	F060-08000	507.00
10"	F060-10000	529.00
12"	F060-12000	616.00
15"	F060-15000	816.00
18"	F060-18000	1,295.00
21"	F060-21000	1,417.00
24"	F060-24000	1,867.00
30"	F060-30000	2,825.00
36"	F060-36000	3,285.00
42"	F060-42000	6,486.00
48"	F060-48000	7,651.00
60"	F060-60000	12,296.00

## Gate Parts



Size	Cover Flap	Seat Flat Back	Seat Spigot Back	SS Links	SS Hinge	Galv Links	Steel Bolt (set)	Hinge Bushing (ea)	Anchor Bolt SS* (ea)	Anchor Bolt Galv* (ea)
6"	171.00 F060-06225	176.00 F060-06222	201.00 F060-06220	86.00 F060-06132	56.00 F060-06142	67.00 F060-06130	22.00 F060-06140	7.00 F939-000	52.00 H1A12022L	37.00 H1A12022N
8"	200.00 F060-08225	206.00 F060-08222	229.00 F060-08220	86.00 F060-08132	56.00 F060-08142	68.00 F060-08130	22.00 F060-08140	7.00 F939-010	52.00 H1A12022L	37.00 H1A12022N
10"	202.00 F060-10225	230.00 F060-10222	240.00 F060-10220	88.00 F060-10132	56.00 F060-08142	68.00 F060-10130	22.00 F060-08140	7.00 F939-010	52.00 H1A12022L	37.00 H1A12022N
12"	212.00 F060-12225	351.00 F060-12222	378.00 F060-12221	91.00 F060-12132	56.00 F060-08142	82.00 F060-12130	22.00 F060-08140	7.00 F939-010	52.00 H1A12022L	37.00 H1A12022N
15"	311.00 F060-15225	369.00 F060-15222	399.00 F060-15220	91.00 F060-15132	56.00 F060-08142	82.00 F060-15130	22.00 F060-08140	7.00 F939-010	52.00 H1A12022L	37.00 H1A12022N
18"	502.00 F060-18225	519.00 F060-18222	576.00 F060-18220	104.00 F060-18132	140.00 F060-18142	100.00 F060-18130	33.00 F060-18140	9.00 F939-030	67.00 H2A12022L	49.00 H2A12022N
21"	594.00 F060-21225	653.00 F060-21222	701.00 F060-21220	131.00 F060-21132	140.00 F060-18142	100.00 F060-21130	33.00 F060-18140	9.00 F939-030	67.00 H2A12022L	49.00 H2A12022N
24"	699.00 F060-24225	842.00 F060-24222	887.00 F060-24220	147.00 F060-24132	140.00 F060-18142	128.00 F060-24130	33.00 F060-18140	9.00 F939-030	67.00 H2A12022L	49.00 H2A12022N
30"	1,262.00 F060-30225	1,437.00 F060-30222	1,417.00 F060-30220	236.00 F060-30132	162.00 F060-30142	128.00 F060-30130	50.00 F060-30140	24.00 F939-050	119.00 H3A12022L	103.00 H3A12022N
36"	1,453.00 F060-36225	1,490.00 F060-36222	1,499.00 F060-36220	346.00 F060-36132	245.00 F060-36142	190.00 F060-36130	55.00 F060-36140	24.00 F939-051	119.00 H3A12022L	103.00 H3A12022N
42"	3,255.00 F060-42225	3,175.00 F060-42222	3,404.00 F060-42220	383.00 F060-42132	245.00 F060-36142	213.00 F060-42130	55.00 F060-36140	24.00 F939-051	119.00 H3A12022L	103.00 H3A12022N
48"	4,311.00 F060-48225	3,636.00 F060-48222	3,914.00 F060-48220	410.00 F060-48132	245.00 F060-36142	213.00 F060-48130	55.00 F060-36140	24.00 F939-051	119.00 H3A12022L	103.00 H3A12022N
60"	5,972.00 F060-60225	POA F060-60222	5,762.00 F060-60220	POA F060-60132	333.00 F060-60142	409.00 F060-60130RL	77.00 F060-60140	55.00 F939-073	197.00 H5A12022L	174.00 H5A12022N

Note: \* Price includes washer & nuts. Gate sizes 4" thru 48" require 4 anchor bolts. Gate size 60" requires 6 anchor bolts.

# Series 6200 50C Flap Gates



The Series 6200 heavy duty 50C cast iron flap is designed to permit the outflow of water from a pipe or a structure to a body of water while preventing backflow into the pipe or structure. It is frequently used in reservoirs, tidal basins, ponding basins and storm drain systems where seating heads are less than 50 feet.

Basic Series 6200 flap gates are designed for concrete headwall mounting and include the following design features and materials.

- Machined cast iron seating faces.
- Ductile Iron link arms.
- 304 stainless steel pins and assembly fasteners.

Due to the wide variety of possible materials and applications, please contact the Fresno Valves & Castings sales personnel to receive a quote for our Series 6200 Heavy Duty Cast Iron Flap Gates. A partial list of the options available include the following:

- 1.) Pipe flange mounting with ANSI partial or full 125# drilling.
- 2.) Corrugated metal pipe, plastic or PVC mounting.
- 3.) Wall thimble mounting.
- 4.) Circular manhole or stand pipe mounting.
- 5.) Bronze seating faces or bronze/neoprene seal seating faces.
- 6.) Bronze or stainless steel link arms.
- 7.) Bronze assembly fasteners.

# Series 3800 Type R Flap Gate

The Series 3800 Type R Flap Valves are designed for use on pump discharges to prevent the backflow or intrusion of water into the pipe



Size	Type	Part Number	Price
6"	IPS	F038-06000	296.00
8"	IPS	F038-08000	334.00
10"	IPS	F038-10000	429.00
12"	IPS	F038-12000	525.00
6"	O.D.	F038-06004	302.00
8"	O.D.	F038-08004	343.00
10"	O.D.	F038-10004	438.00
12"	O.D.	F038-12004	533.00
14"	O.D.	F038-14004	706.00

## Valve Parts

### Flap w/Gasket\*



Size	Part Number	Price
6"	F038-06130	121.00
8"	F038-08130	143.00
10"	F038-10130	170.00
12"	F038-12130	220.00
14"	F038-14130	276.00

### Frame (Iron Seat)\*\*



Size	Part Number	Price
6"	F038-06220	167.00
8"	F038-08220	192.00
10"	F038-10220	230.00
12"	F038-12220	249.00
14"	F038-14222	355.00

### Pipe Gasket



Size	Part Number	Price
6"	F038-06150	15.00
8"	F038-08150	17.00
10"	F038-10150	18.00
12"	F038-12150	22.00
14"	F038-14152	32.00

### Hinge Pin



Size	Part Number	Price
6"	F038-06140	26.00
8"	F038-08140	34.00
10"	F038-10140	40.00
12"	F038-12140	46.00
14"	F038-14140	66.00

### Cotter Pin



Size	Part Number	Price
6"	F904-110	2.25
8"	F904-110	2.25
10"	F904-210	2.50
12"	F904-210	2.50
14"	F904-210	2.50

### Set Screw (ea)



Size	Part Number	Price
6"	F903-034	2.00
8"	F903-034	2.00
10"	F903-034	2.00
12"	F903-034	2.00
14"	F903-035	2.00

\* Specify aluminum or cast iron cover. Part Numbers shown are for aluminum. Available with bronze seats POA

\*\* Specify IPS or O.D. Part numbers shown are IPS, except 14"

# Wall Mount Pressure Relief Valve



Item	Part Number	Price
4" Valve	F031-04000	347.00
Cover	F031-04210	279.00
Seat	F031-04220	124.00
Seal Retainer	F031-04230	19.00



# Series 3600 Swing Check Valve



Series 3600 Swing Check Valves prevent backflow in irrigation and water control lines.

Size	For IPS Pipe	For PIP Pipe	For OD Pipe
4"	422.00 F036-04000	422.00 F036-04002	422.00 F036-04004
6"	494.00 F036-06000	494.00 F036-06002	494.00 F036-06004
8"	632.00 F036-08000	632.00 F036-08002	632.00 F036-08004
10"	1,019.00 F036-10000	1,019.00 F036-10002	1,019.00 F036-10004

## Valve Parts

### Body



Size	Part Number	Price
4"	F036-04210	346.00
6"	F036-06210	381.00
8"	F036-08210	506.00
10"	F036-10210	778.00

### Bushings



Size	Part Number	Price
4"	F036-04162	12.00
6"	F036-06162	12.00
8"	F036-08162	12.00
10"	F036-08162	12.00

### Cover w/Gasket



Size	Part Number	Price
4"	F036-04119	72.00
6"	F036-06119	111.00
8"	F036-08119	144.00
10"	F036-10119	206.00

### Plugs



Size	Part Number	Price
4"	F036-04264	6.75
6"	F036-04264	6.75
8"	F036-04264	6.75
10"	F036-04264	6.75

### Cover Bolt



Size	Part Number	Price
4"	F036-04148	6.25
6"	F036-06148	6.25
8"	F036-08148	6.25
10"	F036-10148	6.25

### Ring\*



Size	Part Number	Price
4"	F036-0440	23.00
6"	F036-0640	37.00
8"	F036-0840	47.00
10"	F036-1040	65.00

### Arm



Size	Part Number	Price
4"	F036-04230	34.00
6"	F036-06230	47.00
8"	F036-08230	54.00
10"	F036-10230	65.00

### Ring Bolts



Size	Part Number	Price
4"	F036-04146	2.75
6"	F036-06146	3.00
8"	F036-08146	3.25
10"	F036-10146	4.50

### Hinge Pin



Size	Part Number	Price
4"	F036-04160	9.50
6"	F036-06160	11.00
8"	F036-08160	12.00
10"	F036-10160	13.00

### Ring Gasket



Size	IPS	PIP	OD
4"	3.75	6.25	4.75
	P1640-02	P1639-01	P1638-02
6"	4.75	7.00	5.75
	P1640-04	P1639-02	P1638-04
8"	5.75	9.00	9.50
	P1640-05	P1639-03	P1638-05
10"	7.00	11.25	11.00
	P1640-06	P1639-04	P1638-06

F036-0436 Torsion Spring 10.70

Note: \*Specify for O.D. or for I.D. pipe sizes.

# Epoxy Chemigation & Check Valves

## Chemigation Check Valve

Chemigation Valve Flanged w/inspection port & air vent  
Chemigation and Back Flow prevention valve.



Size	Part Number	Price
3"	P1778-19	554.00
4"	P1778-20	554.00
6"	P1778-21	657.00
8"	P1778-22	761.00
10"	P1778-23	936.00
12"	P1778-24	1,543.00

Chemigation Valve Wedge-Tite w/inspection port & air vent  
Chemigation and Back Flow prevention valve with mechanical joint ends.



Size	Part Number	Price
6"	P3649-11	723.00
8"	P3650-11	895.00
10"	P3651-11	1,051.00

**Note:** Flange packs must be ordered separately.

## Dresser Style IPS Epoxy



Size	Part Number	Price
3"	F090-130C03	662.00
4"	F090-130C04	662.00
5"	F090-130C05	662.00
6"	F090-130C06	675.00
8"	F090-130C08	813.00
10"	F090-130C10	988.00
12"	F090-130C12	1,686.00

## Check Valves

### Flanged Epoxy



Size	Part Number	Price
4"	P1755-02	351.00
6"	P1753-11	409.00
8"	P1753-12	514.00
10"	P1753-13	618.00
12"	P1753-14	1,142.00

### Dresser Style IPS Epoxy



Size	Part Number	Price
3"	F090-131C03	458.00
4"	F090-131C04	458.00
5"	F090-131C05	468.00
6"	F090-131C06	472.00
8"	F090-131C08	582.00
10"	F090-131C10	698.00
12"	F090-131012	1,344.00

## Parts

### Inspection Port Flange Adapter

Part	Part Number	Price
Inspection Port Flange Adapter	F090-130-092	35.00

### Inspection Port Gasket

Part	Part Number	Price
Inspection Port Gasket	F090-130-090	10.00

# Pierce Chemigation & Check Valves

## Chemigation Valve Flanged w/inspection port & air vent

Chemigation and Back Flow prevention valve.



Size	Part Number	Price
3"	P1775-60	554.00
4"	P1775-61	554.00
6"	P1778-61	657.00
8"	P1778-62	761.00
10"	P1778-63	936.00
12"	P1778-64	1,543.00

## Chemigation Valve Wedge-Tite w/inspection port & air vent

Chemigation and Back Flow prevention valve with mechanical joint ends.



Size	Part Number	Price
6"	P3649-01	723.00
8"	P3650-01	895.00
10"	P3651-01	1,051.00

Note: Flange packs must be ordered separately.

## Check Valve Flanged

Back Flow prevention valve.



Size	Part Number	Price
3"	P1753-05	314.00
4"	P1755-01	351.00
6"	P1753-01	409.00
8"	P1753-02	514.00
10"	P1753-03	618.00
12"	P1753-04	1,142.00

## Check Valve Plain End (Valve Check PE x PE ASM)

Back Flow prevention valve. Welds into steel pipe line.



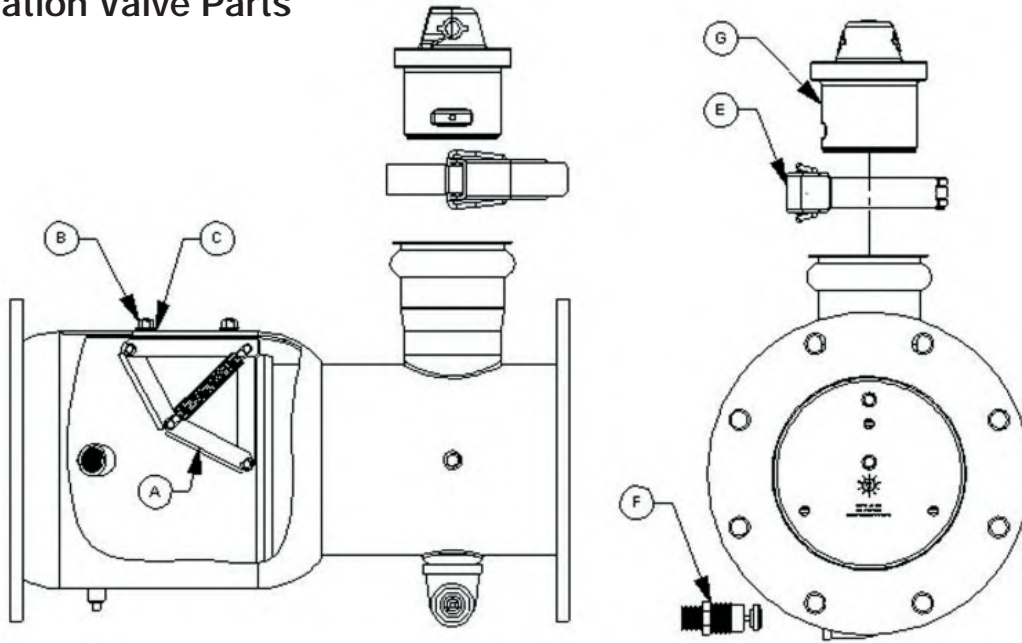
Size	Part Number	Price
3"	P1752-05	249.00
4"	P1754-01	262.00
6"	P1752-01	301.00
8"	P1752-02	378.00
10"	P1752-03	467.00
12"	P1752-04	776.00

### Abbreviations

ASM – Assembly  
PE – Plain End

# Pierce Chemigation & Check Valves

## Chemigation Valve Parts



Chemigation and Check Valves repair parts.

Part	Letter	Part Number	Price
3" Stainless Steel Linkage Kit w/Disc	A	P9091-06	146.00
4" Stainless Steel Linkage Kit w/Disc	A	P9091-04	175.00
6" Stainless Steel Linkage Kit w/Disc	A	P9091-01	211.00
8" Stainless Steel Linkage Kit w/Disc	A	P9091-02	240.00
10" Stainless Steel Linkage Kit w/Disc	A	P9091-03	273.00
12" Stainless Steel Linkage Kit w/Disc	A	P9091-05	338.00
Nut lock UNI-TQ 3/8", all sizes (2 required)	B	P2073-03	1.00
3/8" Sealing Washer, all sizes (2 required)	C	P2043-03	.75
Washer, SAE Plt 3/8", all sizes (2 required)	C	P2042-08	.75
4" Ringlock Ring	E	P2123-08	19.00
Drain Valve Assembly PVC	F	P2381-04	7.25
2" Air Relief	G	F030-20006	54.00
6" Spring	*	P2136-01	4.75
8" Spring	*	P2136-02	8.50
10" Spring	*	P2136-03	13.00
Old Style Airvent Adapter	*	P1773-01	85.00

\* Not Shown

## Series 3700 Wafer Check Valve



### Model CVW 150

The Series 3700 Wafer Check Valves are designed for simple flange support installations between standard flanges in horizontal or vertical positions.

Also provides effective backflow prevention.

Size	Part Number	Price
3"	F037-30000	97.00
4"	F037-40000	139.00
5"	F037-50000	213.00
6"	F037-60000	245.00
8"	F037-80000	413.00
10"	F037-10000	603.00

Size	Part Number	Price
12"	F037-12000	1,128.00
14"	F037-14000	1,929.00
16"	F037-16000	2,695.00
18"	F037-18000	3,795.00
20"	F037-20000	4,641.00
24"	F037-24000	6,941.00

# Series 4000 *PW, YW, & SW Line Gate*



The Series 4000 Line Gate Valves are in-line gate valves used to shut off and regulate distribution lines, at pumps and in field irrigation systems.

Size	40B-PW Line Gate Valve PVC		SW Line Gate Valve Solvent Weld		40A-YW Hub End Gate Valve Concrete			
	Iron Seat	Bronze Seat	IPS PIP Iron Seat	IPS PIP Bronze Seat	Iron Seat	Bronze Seat	Std O.D. Steel Stubs	Flanged Ends
6"	1,162.00 F040-06002	1,786.00 F040-06003						
8"	1,210.00 F040-08002	1,849.00 F040-08003	1,531.00 F040-08030 F040-08020	2,200.00 F040-08030B F040-08020B	1,140.00 F040-08000	1,716.00 F040-08001	1,830.00 F040-08010	1,942.00 F040-08014
10"	1,566.00 F040-10002	2,228.00 F040-10003	1,825.00 F040-10030 F040-10020	2,581.00 F040-10030B F040-10020B	1,435.00 F040-10000	2,012.00 F040-10001	2,245.00 F040-10010	2,387.00 F040-10014
12"	1,780.00 F040-12002	2,539.00 F040-12003	2,081.00 F040-12030 F040-12020	2,866.00 F040-12030B F040-12020B	1,685.00 F040-12000	2,456.00 F040-12001	2,657.00 F040-12010	2,832.00 F040-12014
14"					2,027.00 F040-14000	2,972.00 F040-14001	3,007.00 F040-14010	3,205.00 F040-14014
15"	2,140.00 F040-14002	2,732.00 F040-14003	2,746.00 F040-15020	3,361.00 F040-15020B				
16"					2,642.00 F040-16000	3,958.00 F040-16001	3,649.00 F040-16010	3,848.00 F040-16014
18"	3,970.00 F040-18002	5,880.00 F040-18003			3,315.00 F040-18000	4,966.00 F040-18001	4,574.00 F040-18010	4,885.00 F040-18014
20"	5,518.00 F040-20002	7,585.00 F040-20003			4,702.00 F040-20000	6,907.00 F040-20001	5,958.00 F040-20010	6,490.00 F040-20014
24"	11,351.00 F040-24002	14,399.00 F040-24003			10,271.00 F040-24000	13,816.00 F040-24001	13,274.00 F040-24010	13,884.00 F040-24014

# Series 4000 *Bellmouth Type Hub End Gate Valve*



The Bellmouth Valve functions much like the Series 4000, but allows an 8" gate to be adapted to a 12" pipe.

Size	Bell Size	Part Number	Price
8"	12"	F040-08012	2,496.00

\*Standard with bronze seats, less handwheel.



# Series 4000 PW, YW, & SW Line Gate

## Valve Parts



Size	PW Body (Iron Seat)	YW Body (Iron Seat)	SW PIP Body (Iron Seat)	SW IPS Body (Iron Seat)	Top	Slide (Iron Seat)	Slide (Bronze Seat)	Bar
6"	554.00 F040-06130				152.00 F040-06254	113.00 F040-06245	327.00 F040-06146	40.00 F040-06250
8"	581.00 F040-08130	476.00 F040-08215	719.00 F040-08219	719.00 F040-08319	166.00 F040-08254	121.00 F040-08245	333.00 F040-08146	43.00 F040-08250
10"	692.00 F040-10130	674.00 F040-10215	1,156.00 F040-10219	1,156.00 F040-10319	193.00 F040-10254	130.00 F040-10245	366.00 F040-10146	55.00 F040-10250
12"	860.00 F040-12130	807.00 F040-12215	1,241.00 F040-12219	1,241.00 F040-12319	265.00 F040-12254	146.00 F040-12245	380.00 F040-12146	63.00 F040-12250
14"		1,036.00 F040-14215			319.00 F040-14254	221.00 F040-14245	534.00 F040-14146	92.00 F040-14250
15"	1,089.00 F040-14130		1,697.00 F040-15219		319.00 F040-14254	221.00 F040-14245	534.00 F040-14146	92.00 F040-14250
16"		1,245.00 F040-16215			483.00 F040-16254	275.00 F040-16245	707.00 F040-16146	104.00 F040-16250
18"	1,645.00 F040-18120	1,455.00 F040-18215			544.00 F040-18254	339.00 F040-18245	877.00 F040-18146	166.00 F040-18250
20"	2,519.00 F040-20120	2,395.00 F040-20215			773.00 F040-20254	555.00 F040-20245	1,229.00 F040-20146	325.00 F040-20250
24"	5,833.00 F040-24215	5,833.00 F040-24215			1,756.00 F040-24254	1,224.00 F040-24245	2,272.00 F040-24146	527.00 F040-24250



Size	Screw	Stem Block	Handwheel	Body Gasket	Top Gasket	Stuffing Box	Gland	Stuffing Box Complete	Body Bolts & Nuts (set)
6"	131.00 F040-06174	22.00 F040-06276	49.00 F040-06134	35.00 F040-06886	6.00 F040-06888	32.00 F040-06258	23.00 F040-06262	82.00 F040-06132	19.00 F040-06184
8"	131.00 F040-08174	22.00 F040-06276	49.00 F040-06134	35.00 F040-08886	6.00 F040-06888	32.00 F040-06258	23.00 F040-06262	82.00 F040-06132	19.00 F040-08184
10"	131.00 F040-10174	22.00 F040-06276	49.00 F040-06134	35.00 F040-10886	6.00 F040-06888	32.00 F040-06258	23.00 F040-06262	82.00 F040-06132	23.00 F040-10184
12"	158.00 F040-12174	26.00 F040-12276	53.00 F040-12134	42.00 F040-12886	7.00 F040-12888	48.00 F040-12258	23.00 F040-12262	85.00 F040-12132	23.00 F040-12184
14"	170.00 F040-14174	26.00 F040-12276	53.00 F040-12134	48.00 F040-14886	7.00 F040-12888	48.00 F040-12258	23.00 F040-12262	85.00 F040-12132	23.00 F040-14184
15"	170.00 F040-14174	26.00 F040-12276	53.00 F040-12134	48.00 F040-14886	7.00 F040-12888	48.00 F040-12258	23.00 F040-12262	85.00 F040-12132	23.00 F040-14184
16"	218.00 F040-16174	26.00 F040-12276	53.00 F040-12134	48.00 F040-16886	7.00 F040-12888	48.00 F040-12258	23.00 F040-12262	85.00 F040-12132	28.00 F040-16184
18"	218.00 F040-18174	26.00 F040-12276	53.00 F040-12134	56.00 F040-18886	7.00 F040-12888	48.00 F040-12258	23.00 F040-12262	85.00 F040-12132	33.00 F040-18184
20"	305.00 F040-20174	76.00 F040-20276	95.00 F040-20134	71.00 F040-20886	9.00 F040-20888	66.00 F040-20258	42.00 F040-20262	127.00 F040-20132	45.00 F040-20184
24"	325.00 F040-24174	76.00 F040-20276	95.00 F040-20134	98.00 F040-24886	9.00 F040-20888	66.00 F040-20258	42.00 F040-20262	127.00 F040-20132	56.00 F040-24184

# Series 4000 PW, YW, & SW Line Gate

## Valve Parts



Size	Gland Bolts & Nuts (set)	Coupler	Coupler Set Screw	Handle Ext. (2 ft.)	2" Sq Operating Nut	Stuffing Box Packing	Stuffing Box Mounting Bolts	Removable* Guides (ea.)	Removable Guide Bolts (ea.)
6"	7.50 F040-06163	18.00 F040-06136	2.00 F903-034	50.00 F040-06189	31.00 F040-01260	5.50 F040-0690	2.50 F040-06159	25.00 F040-06220	4.00 F040-06195
8"	7.50 F040-06163	18.00 F040-06136	2.00 F903-034	50.00 F040-06189	31.00 F040-01260	5.50 F040-0690	2.50 F040-06159	25.00 F040-08220	4.00 F040-06195
10"	7.50 F040-06163	18.00 F040-06136	2.00 F903-034	50.00 F040-06189	31.00 F040-01260	5.50 F040-0690	2.50 F040-06159	26.00 F040-10220	4.00 F040-06195
12"	7.50 F040-06163	20.00 F040-12136	2.00 F903-034	53.00 F040-12189-024	34.00 F040-01261	6.00 F040-1290	2.50 F040-06159	27.00 F040-12220	4.50 F040-12195
14"	7.50 F040-06163	20.00 F040-12136	2.00 F903-034	53.00 F040-12189-024	34.00 F040-01261	6.00 F040-1290	2.50 F040-06159		
15"	7.50 F040-06163	20.00 F040-12136	2.00 F903-034	53.00 F040-12189-024	34.00 F040-01261	6.00 F040-1290	2.50 F040-06159	30.00 F040-14220	4.50 F040-14195
16"	7.50 F040-06163	20.00 F040-12136	2.00 F903-034	53.00 F040-12189-024	34.00 F040-01261	6.00 F040-1290	2.50 F040-06159		
18"	7.50 F040-06163	20.00 F040-12136	2.00 F903-034	53.00 F040-12189-024	34.00 F040-01261	6.00 F040-1290	2.50 F040-06159		
20"	7.50 F040-06163	28.00 F040-20136	2.00 F903-034	79.00 F040-20189	37.00 F040-01262	6.00 F088-0300	2.50 F040-06159		
24"	7.50 F040-06163	28.00 F040-20136	2.00 F903-034	79.00 F040-20189	37.00 F040-01262	6.00 F088-0300	2.50 F040-06159		

\*Left Guide Part # shown.

# Series 4200 Type W Pressure Gate



Series 4200 Type W Pressure Gates hold pressure in both flow directions and are used in canals, flood control systems, pipeline distribution, waste water systems, oil refineries and various industrial water control applications.

Gate Description	6"	8"	10"	12"	14"	16"	18"	20"	24"
Complete Gate w/ Iron Seat	758.00	905.00	1,156.00	1,278.00	1,507.00	1,895.00	2,181.00	2,751.00	3,378.00
	F042-06000	F042-08000	F042-10000	F042-12020	F042-14020	F042-16020	F042-18000	F042-20000	F042-24000
Complete Gate w/ Bronze Seat	1,391.00	1,677.00	1,848.00	2,049.00	2,307.00	2,948.00	3,294.00		5,848.00
	F042-06001	F042-08001	F042-10001	F042-12021	F042-14021	F042-16021	F042-18001		F042-24001

## Parts



Size	Frame w/Iron Seat	Frame w/Bronze Seat	Bar	Slide w/Iron Seat	Slide w/ Bronze Seat	Bronze Screw w/ Screwhead	Handwheel	Half Side Guide (upper)	Half Side Guide (lower)
6"	469.00	1,122.00	40.00	113.00	327.00	121.00	49.00	33.00	33.00
	F042-06210	F042-06111	F040-06250	F040-06245	F040-06146	F042-06130	F040-06134	F042-06242	F042-06244
8"	551.00	1,183.00	43.00	121.00	333.00	121.00	49.00	33.00	38.00
	F042-08210	F042-08111	F040-08250	F040-08245	F040-08146	F042-08130	F040-06134	F042-08242	F042-08244
10"	816.00	1,312.00	55.00	130.00	366.00	129.00	49.00	33.00	48.00
	F042-10210	F042-10111	F040-10250	F040-10245	F040-10146	F042-10130	F040-06134	F042-10242	F042-10244
12"	848.00	1,401.00	63.00	146.00	380.00	145.00	53.00		
	F042-12211	F042-12111	F040-12250	F040-12245	F040-12146	F042-12130	F040-12134		
14"	1,018.00	1,509.00	92.00	221.00	534.00	161.00	53.00		
	F042-14211	F042-14111	F040-14250	F040-14245	F040-14146	F042-14130	F040-12134		
16"	1,031.00	1,643.00	104.00	275.00	707.00	202.00	53.00		
	F042-16211	F042-16111	F040-16250	F040-16245	F040-16146	F042-16130	F040-12134		
18"	1,038.00	1,948.00	166.00	339.00	877.00	222.00	53.00		
	F042-18210	F042-18111	F040-18250	F040-18245	F040-18146	F042-18130	F040-12134		
20"	1,290.00	2,266.00	325.00	555.00	1,229.00	293.00	95.00		
	F042-20210	F042-20111	F040-20250	F040-20245	F040-20146	F042-20130	F040-20134		
24"	1,324.00	2,920.00	527.00	1,224.00	2,272.00	320.00	95.00		
	F042-24210	F042-24111	F040-24250	F040-24245	F040-24146	F042-24130	F040-20134		

# Series 4200 Type W Pressure Gate

## Parts



5 - Line Gate Valves

Size	Full Side Guide	Lift Nut	Collar (gland)	Guide Bolts (set)	Collar Bolts (set)	Screw Head w/pin	Headbar	Stop	Side Angle Right (ea.)	Side Angle Left (ea.)
6"	26.00 F042-06240	22.00 F040-06276	18.00 F042-06274	7.50 F042-06150	7.00 F042-06176	46.00 F042-06170				
8"	28.00 F042-08240	22.00 F040-06276	18.00 F042-06274	7.50 F042-08150	7.00 F042-06176	46.00 F042-06170				
10"	32.00 F042-10240	22.00 F040-06276	18.00 F042-06274	7.50 F042-10150	7.00 F042-06176	46.00 F042-06170				
12"		26.00 F040-12276	23.00 F042-12274	10.00 F042-12150	8.50 F042-12176	51.00 F042-12170	74.00 F042-12255	21.00 F042-12246	35.00 F042-12138	35.00 F042-12136
14"		26.00 F040-12276	23.00 F042-12274	10.00 F042-14150	8.50 F042-12176	51.00 F042-12170	94.00 F042-14255	21.00 F042-12246	35.00 F042-14138	35.00 F042-14136
16"		26.00 F040-12276	23.00 F042-12274	12.00 F042-16150	8.50 F042-12176	51.00 F042-12170	107.00 F042-16255	21.00 F042-12246	41.00 F042-16138	41.00 F042-16136
18"		26.00 F040-12276	23.00 F042-12274	12.00 F042-18150	8.50 F042-12176	51.00 F042-12170	187.00 F042-18255	34.00 F042-18246	48.00 F042-18138	48.00 F042-18136
20"		76.00 F040-20276	54.00 F042-20274	12.00 F042-20150	10.00 F042-20176	84.00 F042-20170	301.00 F042-20255	40.00 F042-20246	68.00 F042-20138	68.00 F042-20136
24"		76.00 F040-20276	54.00 F042-20274	16.00 F042-24150	10.00 F042-20176	84.00 F042-20170	367.00 F042-24255	52.00 F042-24246	92.00 F042-24138	92.00 F042-24136



# Series 6600 Model 101C Slide Gate

Series 6600 Slide Gates are used where pressure is in seating direction only. Flat back models for headwall or flange mounting. Spigot back models for mounting to corrugated pipe. Applications include canals and ditches, flood control systems, oil refineries, fish hatcheries and various low head industrial water control systems.



Gate Size	Wt. Lbs.	Frame Material	Minimum Frame Ht.	Flat Back	Spigot Back	Add Per Ft.
6"	56	Galv.	24"	712.00 F066-06G024	749.00 F066-06H024	50.00
8"	65	Galv.	24"	764.00 F066-08G024	779.00 F066-08H024	50.00
10"	70	Galv.	24"	847.00 F066-10G024	851.00 F066-10H024	50.00
12"	79	Galv.	24"	860.00 F066-12G024	875.00 F066-12H024	50.00
14"	89	Galv.	36"	962.00 F066-14G036	975.00 F066-14H036	50.00
15"	104	Galv.	36"	977.00 F066-15G036	1,005.00 F066-15H036	50.00
16"	113	Galv.	36"	1,142.00 F066-16G036	1,164.00 F066-16H036	50.00
18"	152	Galv.	36"	1,268.00 F066-18G036	1,312.00 F066-18H036	62.00
20"	171	Galv.	48"	1,629.00 F066-20G048	1,655.00 F066-20H048	62.00
21"	179	Galv.	48"	1,720.00 F066-21G048	1,779.00 F066-21H048	62.00
24"	199	Galv.	48"	1,832.00 F066-24G048	1,892.00 F066-24H048	62.00
30"	366	Galv.	60"	2,927.00 F066-30G060	3,032.00 F066-30H060	84.00
36"	576	Galv.	72"	3,424.00 F066-36G072	3,718.00 F066-36H072	84.00
42"	680	Galv.	72"	6,191.00 F066-42G072	6,619.00 F066-42H072	84.00
48"	738	Galv.	84"	7,728.00 F066-48G084	8,125.00 F066-48H084	84.00
54"	1,230	Galv.	96"	12,015.00 F066-54G096	12,504.00 F066-54H096	150.00
60"	1,805	Galv.	108"	14,384.00 F066-60G108	14,800.00 F066-60H108	153.00



# Series 6600 Model 101C Slide Gate

## Parts - Model 101C Gates



5 - Gates & Lifts

Size	Slide	Seat, F.B.	Seat, S.B.	Seat Bolt Set	Wedge	Headbar Galv.	Headbar Bolt Seat	Stem Supt. Galv.	Stem Supt. Bolt Set
6"	109.00	135.00	137.00	21.00	18.00	64.00	9.00	49.00	6.00
	F066-06272	F066-06268	F066-06270	F066-061801	F066-06276	F066-06501	F066-061821	F066-06511	F066-061831
8"	131.00	139.00	145.00	21.00	18.00	64.00	9.00	49.00	6.00
	F066-08272	F066-08268	F066-08270	F066-061801	F066-06276	F066-08501	F066-061821	F066-08511	F066-061831
10"	165.00	154.00	160.00	21.00	18.00	64.00	9.00	49.00	6.00
	F066-10272	F066-10268	F066-10270	F066-061801	F066-06276	F066-10501	F066-061821	F066-10511	F066-061831
12"	214.00	177.00	186.00	21.00	18.00	73.00	9.00	49.00	6.00
	F066-12272	F066-12268	F066-12270	F066-061801	F066-06276	F066-12501	F066-061821	F066-12511	F066-061831
14"	233.00	216.00	223.00	21.00	18.00	78.00	9.00	52.00	6.00
	F066-14272	F066-14268	F066-14270	F066-061801	F066-06276	F066-14501	F066-061821	F066-14511	F066-061831
15"	249.00	224.00	235.00	21.00	18.00	85.00	9.00	56.00	6.00
	F066-15272	F066-15268	F066-15270	F066-061801	F066-06276	F066-15501	F066-061821	F066-15511	F066-061831
16"	317.00	303.00	311.00	21.00	18.00	91.00	9.00	65.00	6.00
	F066-16272	F066-16268	F066-16270	F066-161801	F066-06276	F066-16501	F066-061821	F066-16511	F066-061831
18"	396.00	331.00	339.00	27.00	29.00	94.00	9.00	67.00	6.00
	F066-18272	F066-18268	F066-18270	F066-181801	F066-18276	F066-18501	F066-061821	F066-18511	F066-061831
20"	514.00	498.00	500.00	27.00	29.00	96.00	9.00	69.00	6.00
	F066-20272	F066-20268	F066-20270	F066-181801	F066-18276	F066-20501	F066-061821	F066-20511	F066-061831
21"	559.00	529.00	549.00	27.00	29.00	96.00	9.00	69.00	6.00
	F066-21272	F066-21268	F066-21270	F066-181801	F066-18276	F066-21501	F066-061821	F066-21511	F066-061831
24"	699.00	654.00	674.00	27.00	29.00	106.00	9.00	75.00	6.00
	F066-24272	F066-24268	F066-24270	F066-181801	F066-18276	F066-24501	F066-061821	F066-24511	F066-061831
30"	1,205.00	1,194.00	1,236.00	48.00	54.00	133.00	19.00	99.00	11.00
	F066-30272	F066-30268	F066-30270	F066-301801	F066-30276	F066-30501	F066-301821	F066-30511	F066-301831
36"	1,567.00	1,248.00	1,330.00	48.00	54.00	213.00	19.00	111.00	11.00
	F066-36272	F066-36268	F066-36270	F066-301801	F066-30276	F066-36501	F066-301821	F066-36511	F066-301831
42"	2,761.00	2,644.00	2,734.00	48.00	54.00	261.00	19.00	144.00	11.00
	F066-42272	F066-42268	F066-42270	F066-301801	F066-30276	F066-42501	F066-301821	F066-42511	F066-301831
48"	3,570.00	2,979.00	3,116.00	48.00	54.00	297.00	19.00	174.00	11.00
	F066-48272	F066-48268	F066-48270	F066-301801	F066-30276	F066-48501	F066-301821	F066-48511	F066-301831
54"	5,135.00	5,264.00	5,455.00	67.00	96.00	313.00	22.00	181.00	13.00
	F066-54272	F066-54268	F066-54270	F066-541801	F066-54276	F066-54501	F066-541821	F066-54511	F066-541831
60"	6,576.00	5,851.00	6,060.00	67.00	96.00	332.00	22.00	194.00	13.00
	F066-60272	F066-60268	F066-60270	F066-541801	F066-54276	F066-60501	F066-541821	F066-60511	F066-541831

# Series 6400 Model 20-10C Medium Duty Sluice Gate

## Complete Gates 8" - 48" - Model 20-10C Medium Duty Sluice Gate



Series 6400 Sluice Gates are designed for use in controlling flow through round openings with heads up to 20 ft. on the front side and up to 10 ft. on the back. Flat Back models are mounted to concrete headwalls, or machined to match standard flanges. Spigot Back models are for mounting to corrugated pipe.

### Gates

Gate Size (inches)	Wt. Lbs.	Frame Material	Minimum Frame Ht.	Flat Back	Spigot Back	Add Per Ft.
8"	82	Galv.	24"	1,137.00 F064-08G024	1,185.00 F064-08H024	50.00
10"	94	Galv.	24"	1,186.00 F064-10G024	1,242.00 F064-10H024	50.00
12"	108	Galv.	24"	1,333.00 F064-12G024	1,370.00 F064-12H024	50.00
14"	127	Galv.	36"	1,575.00 F064-14G036		50.00
15"	143	Galv.	36"	1,585.00 F064-15G036	1,629.00 F064-15H036	50.00
16"	155	Galv.	36"	1,810.00 F064-16G036		50.00
18"	216	Galv.	36"	1,951.00 F064-18G036	2,009.00 F064-18H036	65.00
20"	243	Galv.	48"	2,315.00 F064-20G048		65.00
21"	260	Galv.	48"	2,469.00 F064-21G048	2,505.00 F064-21H048	65.00
24"	311	Galv.	48"	2,657.00 F064-24G048	2,713.00 F064-24H048	65.00
30"	601	Galv.	60"	4,274.00 F064-30G060	4,544.00 F064-30H060	90.00
36"	742	Galv.	72"	5,694.00 F064-36G072	6,284.00 F064-36H072	114.00
42"	934	Galv.	72"	11,229.00 F064-42G072	12,554.00 F064-42H072	168.00
48**	NA	Galv.	84"	POA F064-48G084	POA F064-48H084	POA

Note: \*POA – Price on Application

# Series 6400 Model 20-10C Medium Duty Sluice Gate

## Parts - Model 20-10C Medium Duty Sluice Gate



Size	Seat Bolt Set	Wedge Right	Wedge Left	Headbar Bolt Set	Stem Supt. Bolt Set
8" thru 16"	22.00 F064-081811	32.00 F064-08278	32.00 F064-08276	10.00 F064-081821	5.75 F064-081831
18" thru 24"	28.00 F064-181811	89.00 F064-18278	89.00 F064-18276	10.00 F064-081821	5.75 F064-081831
30" thru 42"	47.00 F064-301811	89.00 F064-30278	89.00 F064-30276	23.00 F064-301821	10.00 F064-301831
48"	POA F064-481811	POA F064-48278	POA F064-48276	POA F064-481821	POA F064-481831

## Parts - Model 20-10C Medium Duty Sluice Gate



Size	Slide	Seat Flat Back	Seat Spigot Back	Crossbar	Headbar Galv.	Stem Supt. Galv.
8"	172.00 F064-08272	234.00 F064-08268	194.00 F064-08270	58.00 F064-08274	64.00 F066-08501	49.00 F066-08511
10"	204.00 F064-10272	276.00 F064-10268	230.00 F064-10270	64.00 F064-10274	64.00 F066-10501	49.00 F066-10511
12"	286.00 F064-12272	326.00 F064-12268	285.00 F064-12270	80.00 F064-12274	73.00 F066-12501	49.00 F066-12511
14"	392.00 F064-14272	399.00 F064-14268		98.00 F064-14274	78.00 F066-14501	52.00 F066-14511
15"	407.00 F064-15272	413.00 F064-15268	351.00 F064-15270	131.00 F064-15274	85.00 F066-15501	56.00 F066-15511
16"	436.00 F064-16272	479.00 F064-16268		134.00 F064-16274	91.00 F066-16501	65.00 F066-16511
18"	488.00 F064-18272	493.00 F064-18268	533.00 F064-18270	152.00 F064-18274	94.00 F066-18501	67.00 F066-18511
20"	616.00 F064-20272	620.00 F064-20268		240.00 F064-20274	96.00 F066-20501	69.00 F066-20511
21"	635.00 F064-21272	634.00 F064-21268	611.00 F064-21270	258.00 F064-21274	96.00 F066-21501	69.00 F066-21511
24"	770.00 F064-24272	760.00 F064-24268	741.00 F064-24270	284.00 F064-24274	106.00 F066-24501	75.00 F066-24511
30"	1,365.00 F064-30272	1,319.00 F064-30268	1,275.00 F064-30270	482.00 F064-30274	133.00 F066-30501	99.00 F066-30511
36"	1,835.00 F064-36272	1,675.00 F064-36268	1,637.00 F064-36270	761.00 F064-36274	213.00 F066-36501	111.00 F064-36511
42"	4,397.00 F064-42272	3,660.00 F064-42268	3,535.00 F064-42270	1,285.00 F064-42274	261.00 F064-42501	144.00 F064-42511
48"	POA F064-48272	POA F064-48268		POA F064-48274	POA F064-48501	POA F064-48511

# Series 6700 Model 1001C Combination Gate

Series 6700 Combination Gates combine the many features of both slide gates and flap gates into one multi-functional water control device.



Gate Size	Wt. Lbs.	Frame Material	Minimum Frame Ht.	Flat Back	Spigot Back	Add Per Ft.
15"	190	Galv.	36"	3,488.00 F067-15G036	3,504.00 F067-15H036	50.00
18"	220	Galv.	36"	3,685.00 F067-18G036	3,697.00 F067-18H036	62.00
24"	305	Galv.	48"	4,825.00 F067-24G048	4,845.00 F067-24H048	62.00
30"	510	Galv.	60"	6,667.00 F067-30G060	6,808.00 F067-30H060	84.00
36"	655	Galv.	72"	9,757.00 F067-36G072	9,844.00 F067-36H072	84.00
48"	1,150	Galv.	84"	24,037.00 F067-48G084	24,181.00 F067-48H084	84.00
60"	2,930	Galv.	108"	33,035.00 F067-60G108	33,247.00 F067-60H108	100.00

## Parts - Model 1001C Gates

### Cover



Gate Size	Part Number	Price
15"	F060-15225	311.00
18"	F060-18225	502.00
24"	F060-24225	699.00
30"	F060-30225	1,262.00
36"	F060-36225	1,453.00
48"	F060-48225	4,311.00
60"	F060-60225	5,972.00

### Wedge



Gate Size	Part Number	Price
15"	F067-18276	160.00
18"	F067-18276	160.00
24"	F067-18276	160.00
30"	F067-30276X	184.00
36"	F067-30276X	184.00
48"	F067-30276X	184.00
60"	F067-60276X	184.00

### Seat F.B.



Gate Size	Part Number	Price
15"	F066-15268	224.00
18"	F066-18268	331.00
24"	F066-24268	654.00
30"	F066-30268	1,194.00
36"	F066-36268	1,248.00
48"	F066-48268	2,979.00
60"	F066-60268	5,851.00

### Middle Ring



Gate Size	Part Number	Price
15"	F067-15272	584.00
18"	F067-18272	819.00
24"	F067-24272	1,588.00
30"	F067-30272	2,991.00
36"	F067-36272	3,303.00
48"	F067-48272	6,998.00
60"	F067-60272	13,748.00

### Seat S.B.



Gate Size	Part Number	Price
15"	F066-15270	235.00
18"	F066-18270	339.00
24"	F066-24270	674.00
30"	F066-30270	1,236.00
36"	F066-36270	1,330.00
48"	F066-48270	3,116.00
60"	F066-60276	6,060.00

# Series 7000 Handwheel Lifts and Ball Bearing Lifts

## Lift Assemblies



Series 7000 Handwheel Lifts are dependable and economical. Models H1 and H2 feature a brass lift nut that ensures smooth operation and extended stem life.

### Model H1 Handwheel Lift Assemblies

10" or 14" handwheel ordered separately, see below

Stem Diameter	Lift Nut Material	Part Number	Price
7/8"	Red Brass	H107LRHRN	136.00
1-1/8"	Red Brass	H109LRHRN	149.00

### Model H2 Handwheel Lift Assemblies

18", 24" or 30" handwheel ordered separately, see below

Stem Diameter	Lift Nut Material	Part Number	Price
1-1/8"	Red Brass	H209LRHRN	222.00
1-1/2"	Red Brass	H212LRHRN	243.00



Series 7000 Model H1B and H2B Handwheel Lifts are manufactured with lubricated ball bearings to provide the smoothest operation. Reduced friction equates to increased lift capacity.

### Model H1B Handwheel Lift Assemblies

10" or 14" handwheel ordered separately, see below

Stem Diameter	Lift Nut Material	Part Number	Price
7/8"	Red Brass	H1B07LRHRN	347.00
1-1/8"	Red Brass	H1B09LRHRN	347.00

### Model H2B Handwheel Lift Assemblies

18", 24" or 30" handwheel ordered separately, see below

Stem Diameter	Lift Nut Material	Part Number	Price
1-1/8"	Red Brass	H2B09LRHRN	512.00
1-1/2"	Red Brass	H2B12LRHRN	512.00

## Handwheels and Lift Parts



Part Description	Lift Model	Stem Diameter	Part Number	Price
10" Dia. Handwheel	H-1, H1B	7/8" & 1-1/8"	H10H1LN	52.00
14" Dia. Handwheel	H-1, H1B	7/8" & 1-1/8"	H14H1LN	89.00
18" Dia. Handwheel	H-2, H2B	1-1/8" & 1-1/2"	H18H2LN	176.00
24" Dia. Handwheel	H-2, H2B	1-1/8" & 1-1/2"	H24H2LN	198.00
30" Dia. Handwheel	H-2, H2B	1-1/8" & 1-1/2"	H30H2LN	424.00
Lift Nut- Red Brass	H-1	7/8"	H23805-FF	84.00
Lift Nut- Red Brass	H-1	1-1/8"	H23806-FF	84.00
Lift Nut- Red Brass	H-2	1-1/8"	H23022-FF	186.00
Lift Nut- Red Brass	H-2	1-1/2"	H23023-FF	186.00
Lift Nut- Red Brass	H-1B	7/8"	H39107-FF	312.00
Lift Nut- Red Brass	H-1B	1-1/8"	H39109-FF	322.00
Lift Nut- Red Brass	H-2B	1-1/8"	H39111-FF	352.00
Lift Nut- Red Brass	H-2B	1-1/2"	H39113-FF	362.00
Lift Nut- Manganese Bronze	H-1	1-1/8"	H23069--K	164.00
Lift Nut- Manganese Bronze	H-2	1-1/2"	H23070--K	166.00
Stop Nut- Brass	H-1, H1B	7/8"	HSN07LFL	26.00
Stop Nut- Brass	H-1, H-2, H1B, H2B	1-1/8"	HSN09LFL	31.00
Stop Nut- Brass	H-2, H2B	1-1/2"	HSN12LFL	57.00
Collar (Keeper)	H-1	7/8" & 1-1/8"	H22447--A	20.00
Collar (Keeper)	H-2	7/8" & 1-1/8"	H22452--A	69.00
Collar (Keeper)	H-1B	7/8" & 1-1/8"	H39101-AZ	94.00
Collar (Keeper)	H-2B	1-1/8" & 1-1/2"	H39102-AZ	190.00
Ball Bearing	H-1B	7/8" & 1-1/8"	H39115--T	34.00
Ball Bearing	H-2B	1-1/8" & 1-1/2"	H39116--T	69.00
Pedestal-Cast Iron	H-1, H2, H1B, H2B	All	H34826--A	351.00

Note: Lift and stop nut part numbers shown are for our standard left hand double lead roller thread stems.



# Series 6800 Shear Gate

## Model 68B



Series 6800 Shear Gate Valves are used for flow control in low pressure situations. Available with cast iron or bronze seats for municipal, industrial and agricultural applications.

Gate Size	Model 68B	
	Cast Iron Seating	Bronze Seating
6"	975.00	1,632.00
	F068-06020	F068-06025
8"	975.00	1,632.00
	F068-08020	F068-08025
10"	1,326.00	2,049.00
	F068-10020	F068-10025
12"	1,670.00	2,265.00
	F068-12020	F068-12025
14"	1,948.00	2,378.00
	F068-14020	F068-14025

Note: First 2' handle is standard. Each additional foot is \$8.00/ft.

# Series 5200 Galvanized Slide Gate

## Standard Size

The Series 5200 Galvanized Slide Gate provides cost effective flow control in low pressure applications. May be used with concrete or plastic pipe.



Gate Diameter	Part Number	Price	Gate Diameter	Part Number	Price
6"	F052-0652	139.00	16"	F052-1652	326.00
8"	F052-0852	147.00	18"	F052-1852	361.00
10"	F052-1052	174.00	20"	F052-2052	419.00
12"	F052-1252	201.00	21"	F052-2152	483.00
14"	F052-1452	267.00	24"	F052-2452	657.00
15"	F052-1552	299.00	30"	F052-3052	936.00

# Series 5500 Galvanized Toggle Gate

Series 5500 Galvanized Toggle Gates are used in similar applications to the Series 5200, but utilize a cam action slide which allows the gate to lock into various positions.



Gate Diameter	Full Size	Standard Size	Price
6"	F055-0610	F055-0612	154.00
8"	F055-0810	F055-0812	176.00
10"	F055-1010	F055-1012	198.00
12"	F055-1210	F055-1212	225.00
14"	F055-1410	F055-1412	296.00
15"	F055-1510	F055-1512	347.00
16"	F055-1610	F055-1612	414.00
18"	F055-1810	F055-1812	482.00
20"	F055-2010	F055-2012	588.00
21"	F055-2110	F055-2112	609.00
24"	F055-2410	F055-2412	733.00
30"	F055-3010	F055-3012	1,156.00

Note: Standard size gates have undersized tubes to fit concrete pipe and allow room for mortared installation. Generally 1/2" undersized.  
Full size gates have tubes slightly under normal size for use where less clearance between the pipe and gate is desired.

# Series 5300 Galvanized Distributing Gates

## Standard Size

Series 5300 Galvanized Distributing Gates provide cost effective flow control in very low pressure situations.



Gate Diameter	Tube Length						Slide Only
	1-5/8"	1-3/4"	2"	2-1/2"	3"	4"	
2"	6.50 F053-02015	6.50 F053-02016	6.50 F053-02020	6.50 F053-02024			3.25 F053-02000
2-1/2"	8.75 F053-02415		8.75 F053-02420	8.75 F053-02424	8.75 F053-02430		3.25 F053-02400
3"	12.00 F053-03015		12.00 F053-03020	12.00 F053-03024	12.00 F053-03030	12.00 F053-03040	3.25 F053-03000
4"			16.00 F053-04020	16.00 F053-04024	16.00 F053-04030	16.00 F053-04040	5.50 F053-04000

Note: Part numbers listed are for standard size gates for mortared installation in concrete pipe.

## Gates

Gate Diameter	Standard Size	Full Size	PIP Size	Slide Only
5"	41.00 F053-0512			14.00 F053-0500
6"	50.00 F053-0612	50.00 F053-0610	50.00 F053-0620	22.00 F053-0600
8"	56.00 F053-0812	56.00 F053-0810	56.00 F053-0820	24.00 F053-0800
10"	67.00 F053-1012	67.00 F053-1010	68.00 F053-1020	25.00 F053-1000
12"	81.00 F053-1212	81.00 F053-1210	84.00 F053-1220	30.00 F053-1200
14"	91.00 F053-1412			35.00 F053-1400
15"	137.00 F053-1512	137.00 F053-1510	141.00 F053-1520	44.00 F053-1500

Gate Diameter	Standard Size	Full Size	PIP Size	Slide Only
16"	158.00 F053-1612			60.00 F053-1600
18"	216.00 F053-1812	216.00 F053-1810		72.00 F053-1800
20"	345.00 F053-2012	345.00 F053-2010		110.00 F053-2000
21"	356.00 F053-2112	356.00 F053-2110		117.00 F053-2100
24"	483.00 F053-2412	483.00 F053-2410		133.00 F053-2400
30"	713.00 F053-3012	713.00 F053-3010		188.00 F053-3000
36"	1,077.00 F053-3612	1,077.00 F053-3610		299.00 F053-3600

Note: Standard size gates have undersized tubes to fit concrete pipe and allow room for mortared installation. Generally 1/2" undersized. Full size gates have tubes slightly under normal size for use where less clearance between the pipe and gate is desired. PIP size gates have tubes which fit over the outside diameter of PIP pipe sizes. I.D. 1/4" larger than pipe size.

# Series 3300 Dairy Flush

Series 3300 Dairy Valves are designed for flushing concrete slabs and alleys in dairies or other livestock facilities with large volumes of water at low pressure for cleaning purposes.



Manual			Automatic		Floor Mount	
Size	Part No.	Price	Part No.	Price	Part No.	Price
12"	F033-12000	1,251.00	F033-12020	3,812.00	F033-120-325	2,217.00*

\*Price does not include price of optional grates, lids, or flange packs.

## Valve Parts



Description	Manual		Automatic		Floor Mount	
	Part No.	Price	Part No.	Price	Part No.	Price
Bronze Lift Nut	F033-08250	108.00				
Top Gasket	F033-0858	3.50				
Brass Screw	F033-12164	154.00				
Handwheel	F032-06142	41.00				
Body	F033-12112	833.00	F033-12111	833.00		
Packed Cover	F033-12120	125.00	F033-12120	125.00		
Cover Gasket	F033-12190	19.00	F033-12190	19.00		
Washer	F922-181	1.75	F922-181	1.75		
Cotter Pin	F904-214	2.00	F904-216	3.50		
Air Cylinder			F033-1260	1,950.00		
Cylinder Adapter			F033-12248	300.00		
Cylinder Rod Adapter			F033-12171	97.00		
Cylinder Cover w/Top			F033-12175	161.00		
Solenoid Valve, 24 volt			F033-1262	249.00		
Flow Control Valve			F033-1266	44.00		
Black Poly Tubing, 1/4" (per ft.)			F012-0604	.50		
Male Connector, 1/4"			F981-68PL44	7.00		
Bronze Hex Nipple, 1/2"			F981-216P8	18.00		
Conduit Connector, 1/2"			F033-1263	24.00		
Conduit Fitting, 1/2" MIPT x 1/2" SLIP			F033-1264	1.00		
Male Elbow, 1/4" Tube x 1/4" MIPT			F033-1269	5.50		
			F943-222	1.00		
O-Ring	F943-115	1.00	(1.484 ID)			
			F943-228	1.00		
			(2.234 ID)			
IPS Flange Packs					P1641-07	91.00
PIP Flange Packs					P1642-05	91.00
12" Aluminum Valve Grate					F033-12280	442.00
12" Stainless Steel Pop-up Lid					F033-12284	738.00
12" Steel Pop-up Lid					F033-12288	479.00
Complete Air Bladder Assy.					F033-120-BA1	873.00

6 - Dairy Flush

# Series 3200 Universal Portable Hydrant

Series 3200 Universal Portable Hydrants allow users to distribute water from underground pipelines to surface lines without depressurizing the mainline. Designed to be used with all major brand Alfalfa Valves.



Size	Type	Part Number	Price
8" x 6"	Single Spout Side Clamp	F032-M08014	380.00
8" x 8"	Single Spout Side Clamp	F032-M08016	380.00
10" x 8"	Single Spout Side Clamp	F032-M10016	465.00
10" x 10"	Single Spout Side Clamp	F032-M10018	465.00
12" x 8"	Single Spout Side Clamp	F032-M12016	487.00
12" x 10"	Single Spout Side Clamp	F032-M12018	487.00
12" x 12"	Single Spout Side Clamp	F032-M12019	533.00
14" x 10"	Single Spout Side Clamp	F032-M14015	959.00
14" x 12"	Single Spout Side Clamp	F032-M14016	1,026.00
8" x 6"	Single Spout Center Tension	F032-M08004	542.00
8" x 8"	Single Spout Center Tension	F032-M08006	542.00
10" x 8"	Single Spout Center Tension	F032-M10006	589.00
10" x 10"	Single Spout Center Tension	F032-M10008	589.00
12" x 8"	Single Spout Center Tension	F032-M12006	598.00
12" x 10"	Single Spout Center Tension	F032-M12008	598.00
12" x 12"	Single Spout Center Tension	F032-M12009	612.00
14" x 10"	Single Spout Center Tension	F032-M14005	1,032.00
14" x 12"	Single Spout Center Tension	F032-M14006	1,084.00

Non-standard ends available on request

6 - Hydrants

## Parts

### Body - Single Spout



Size	Part Number	Price
6"	F032-06136	231.00
8"	F032-08236	326.00
10"	F032-10238	404.00
12"	F032-12239	443.00
14"	F032-14136	539.00

### Handwheel



Size	Part Number	Price
6"	F032-06142	41.00
8"	F032-06142	41.00
10"	F032-06142	41.00
12"	F032-06142	41.00
14"	F032-06142	41.00

### Wrench Head - Side Clamp



Size	Part Number	Price
6"	F032-06256	23.00
8"	F032-06256	23.00
10"	F032-06256	23.00
12"	F032-06256	23.00
14"	F032-06256	23.00

### Stem (Alum.) - Side Clamp



Size	Part Number	Price
6"	F032-06158	30.00
8"	F032-06158	30.00
10"	F032-10158	30.00
12"	F032-10158	30.00
14"	F032-14158	45.00

### Stem (Brass) - Center Tension



Size	Part Number	Price
6"	F032-06160	49.00
8"	F032-06160	49.00
10"	F032-10160	56.00
12"	F032-10160	56.00
14"	F032-14160	81.00

### Wrench Head - Center Tension (Clutch)



Size	Part Number	Price
6"	F032-06274	36.00
8"	F032-06274	36.00
10"	F032-06274	36.00
12"	F032-06274	36.00
14"	F032-06274	36.00

# Series 3200 *Universal Portable Hydrant*

## Parts

### J-Bolt Handle - Side Clamp



Size	Part Number	Price
6"	F032-06254	9.00
8"	F032-06254	9.00
10"	F032-06254	9.00
12"	F032-06254	9.00
14"	F032-06254	9.00

### Spring



Size	Part Number	Price
6"	F032-0650	4.00
8"	F032-0650	4.00
10"	F032-0650	4.00
12"	F032-0650	4.00
14"	F032-0650	4.00

### Clamp Handle - Center



Size	Part Number	Price
6"	F032-06268	13.00
8"	F032-06268	13.00
10"	F032-06268	13.00
12"	F032-06268	13.00
14"	F032-06268	13.00

### Stirrup Nut



Size	Part Number	Price
6"	F032-06257	11.00
8"	F032-06257	11.00
10"	F032-06257	11.00
12"	F032-06257	11.00
14"	F032-06257	11.00

### J-Bolt



Size	Part Number	Price
6"	F032-06149	18.00
8"	F032-06149	18.00
10"	F032-10149	18.00
12"	F032-10149	18.00
14"	F032-06149	18.00

### Clamp Nut - Center Tension



Size	Part Number	Price
6"	F032-06270	32.00
8"	F032-06270	32.00
10"	F032-06270	32.00
12"	F032-06270	32.00
14"	F032-06270	32.00

### J-Bolt Cotter Pin

Size	Part Number	Price
6"	F904-112	1.75
8"	F904-112	1.75
10"	F904-112	1.75
12"	F904-112	1.75
14"	F904-112	1.75

### J-Bolt Assembly



Size	Part Number	Price
6"	F032-06148	45.00
8"	F032-06148	45.00
10"	F032-10148	45.00
12"	F032-10148	45.00
14"	F032-10148	45.00

### Clamp Handle Assembly



Size	Part Number	Price
6"	F032-06166	46.00
8"	F032-06166	46.00
10"	F032-06166	46.00
12"	F032-06166	46.00
14"	F032-06166	46.00

### Washer - Side Clamp



Size	Part Number	Price
6"	F902-251	1.25
8"	F902-251	1.25
10"	F902-251	1.25
12"	F902-251	1.25
14"	F902-251	1.25

### "O" Ring



Size	Part Number	Price
6"	F032-0645	2.00
8"	F032-0645	2.00
10"	F032-0645	2.00
12"	F032-0645	2.00
14"	F032-0645	2.00

### Bottom Gasket



Size	Part Number	Price
6"	F032-0646	13.00
8"	F032-0846	16.00
10"	F032-1046	18.00
12"	F032-1246	24.00
14"	F032-1446	31.00

### Washer - Center Tension



Size	Part Number	Price
6"	F028-8085	2.00
8"	F028-8085	2.00
10"	F028-8085	2.00
12"	F028-8085	2.00
14"	F028-8085	2.00

### Clamp Curl Pin



Size	Part Number	Price
6"	F905-349	2.75
8"	F905-349	2.75
10"	F905-349	2.75
12"	F905-349	2.75
14"	F905-349	2.75

### Clutch Bolt



Size	Part Number	Price
6"	F900-122	3.25
8"	F900-122	3.25
10"	F900-122	3.25
12"	F900-122	3.25
14"	F900-122	3.25



# Aluminum Oil Pots

## Oil Pots

Aluminum Oil Pots act as an oil reservoir at the pump.  
Custom lettering is available for advertising or identification.

Type	Part Number	Price
Aluminum Oil Pot (3" tall, uses 1/2" bolt)	F039-01000	159.00
Aluminum Oil Pot (3" tall, uses 5/8" bolt)	F039-01002	162.00
Aluminum Oil Pot (6" tall, uses 1/2" bolt)	F039-01001	162.00
Aluminum Oil Pot (6" tall, uses 5/8" bolt)	F039-01001S	162.00

## Special



## Short



## Long



6 - Oil Pots

## Oil Pot Parts

### Lid



Part Number	Price
F039-01226	52.00

### Spring



Part Number	Price
F039-0130	6.50

### Long Bracket (6" Tall, Uses 1/2" Bolt)



Part Number	Price
F039-0111	29.00

### Short Bracket (3" Tall, Uses 1/2" Bolt)



Part Number	Price
F039-01210	26.00

### Long Bracket (6" Tall, Uses 5/8" Bolt)



Part Number	Price
F039-0111S	29.00

### Special Bracket (3" Tall, Uses 5/8" Bolt)



Part Number	Price
F039-0112	29.00

# Brass and Bronze Valves

## Model 210 - 200# WOG Economy Brass Gate Valve Threaded, NRS, Black Cast Iron Handle



Size	Case Qty	Part Number	Price
1/2"	100	F094-210-04	7.75
3/4"	100	F094-210-06	10.00
1"	50	F094-210-1	15.00
1-1/4"	50	F094-210-12	21.00
1-1/2"	30	F094-210-14	29.00
2"	20	F094-210-2	43.00
2-1/2"	10	F094-210-24	89.00
3"	10	F094-210-3	117.00
4"	4	F094-210-4	208.00

## Model 220 - Full Port 200# WOG Brass Gate Valve Thrd, NRS Black Cast Iron Star Handle

Size	Case Qty	Part Number	Price
1/4"	120	F094-220-02	12.00
3/8"	120	F094-220-03	12.00
1/2"	120	F094-220-04	12.00
3/4"	80	F094-220-06	17.00
1"	60	F094-220-1	24.00
1-1/4"	40	F094-220-12	35.00
1-1/2"	32	F094-220-14	44.00
2"	20	F094-220-2	64.00
2-1/2"	12	F094-220-24	125.00
3"	8	F094-220-3	180.00
4"	4	F094-220-4	262.00



## Model 120 - Standard Port, 150# WSP, 400# WOG Brass Ball Valve, Threaded



Size	Case Qty	Part Number	Price
1/4"	180	F094-120-02	7.75
3/8"	180	F094-120-03	7.75
1/2"	120	F094-120-04	7.75
3/4"	90	F094-120-06	11.00
1"	60	F094-120-1	17.00
1-1/4"	36	F094-120-12	25.00
1-1/2"	24	F094-120-14	36.00
2"	16	F094-120-2	51.00
2-1/2"	8	F094-120-24	136.00
3"	6	F094-120-3	211.00
4"	4	F094-120-4	385.00

## Model 130 - Full Port, 150# WSP, 400# WOG Brass Ball Valve, Threaded

Size	Case Qty	Part Number	Price
1/2"	120	F094-130-04	8.25
3/4"	90	F094-130-06	14.00
1"	60	F094-130-1	21.00
1-1/4"	36	F094-130-12	34.00
1-1/2"	24	F094-130-14	46.00
2"	12	F094-130-2	74.00
2-1/2"	8	F094-130-24	209.00
3"	6	F094-130-3	318.00



# Miscellaneous Brass Valves

Brass Boiler Drain - w/Stuffing Box, MIPT



Size	Case Qty	Part Number	Price
1/2"	100	F094-911-04	9.00
3/4"	100	F094-911-06	10.00

Sillcock



Size	Case Qty	Part Number	Price
1/2"	72	F094-941-04	9.00
3/4"	72	F094-941-06	10.00

Brass Hose Bib - MIPT



Size	Case Qty	Part Number	Price
1/2"	100	F094-900-04	8.50
3/4"	100	F094-900-06	9.00

Stop & Waste Valve



Size	Case Qty	Part Number	Price
1/2"	72	F094-981-04	11.00
3/4"	72	F094-981-06	12.00

Brass Garden Valve - FIPT



Size	Case Qty	Part Number	Price
1/2"	72	F094-905-04	13.00
3/4"	72	F094-905-06	13.00
1"	72	F094-905-1	15.00

Brass Check Valve



Size	Case Qty	Part Number	Price
2"	24	F094-320-2	58.00
2-1/2"	12	F094-320-24	114.00
3"	6	F094-320-3	175.00
4"	4	F094-320-4	279.00

7 - Brass Valves

# 1/2" Steel Ring Flanges (Flat Faced 150# Drilling)

## 1/2" IPS Pipe Size

Pipe Size	Weight (lbs.)	Outside Diameter	Thickness	Bore	Part Number	Price
2"	3.1	6"	1/2"	2.44"	F083-00-02	13.00
2-1/2"	4.2	7"	1/2"	2.94"	F083-00-025	17.00
3"	4.6	7-1/2"	1/2"	3.57"	F083-00-03	19.00
4"	6.2	9"	1/2"	4.57"	F083-00-04	25.00
5"	6.9	10"	1/2"	5.66"	F083-00-05	28.00
6"	7.8	11"	1/2"	6.72"	F083-00-06	30.00
8"	11.2	13-1/2"	1/2"	8.72"	F083-00-08	45.00
10"	14.0	16"	1/2"	10.88"	F083-00-10	57.00
12"	20.3	19"	1/2"	12.88"	F083-00-12	82.00



## 1/2", 5/8", & 3/4" Flanges - O.D. Flange Size

Pipe Size	Weight (lbs.)	Outside Diameter	Thickness	Bore	Part Number	Price
2"	3.3	6"	1/2"	2.06"	F083-02-02	14.00
2-1/2"	4.5	7"	1/2"	2.56"	F083-02-025	19.00
3"	5.0	7-1/2"	1/2"	3.06"	F083-02-03	21.00
3-1/2"	6.0	8"	1/2"	3.50"	F083-02-035	26.00
4"	6.7	9"	1/2"	4.06"	F083-02-04	29.00
5"	7.6	10"	1/2"	5.06"	F083-02-05	33.00
6"	8.6	11"	1/2"	6.06"	F083-02-06	38.00
8"	12.3	13-1/2"	1/2"	8.06"	F083-02-08	53.00
10"	15.7	16"	1/2"	10.06"	F083-02-10	68.00
12"	22.4	19"	1/2"	12.06"	F083-02-12	97.00
14"	34.4	21"	5/8"	14.13"	F083-02-14	137.00
16"	37.8	23-1/2"	5/8"	16.13"	F083-02-16	163.00
18"	44.9	25"	3/4"	18.13"	F083-02-18	194.00
20"	52.9	27-1/2"	3/4"	20.13"	F083-02-20	229.00
24"	66.8	32"	3/4"	24.13"	F083-02-24	289.00

## Stainless Steel - 1/2" Nominal (IPS) Pipe Size

Pipe Size	Weight (lbs.)	Outside Diameter	Thickness	Bore	Part Number	Price
3"	4.7	7-1/2"	1/2"	3.57"	F083-10-03	105.00
4"	6.1	9"	1/2"	4.57"	F083-10-04	143.00
5"	7.0	10"	1/2"	5.66"	F083-10-05	161.00
6"	7.7	11"	1/2"	6.72"	F083-10-06	180.00
8"	11.3	13-1/2"	1/2"	8.72"	F083-10-08	261.00
10"	14.0	16"	1/2"	10.88"	F083-10-10	324.00
12"	21.3	19"	1/2"	12.88"	F083-10-12	484.00

# Ring Flanges *(Flat Faced 150# Drilling)*

(Class D Steel / Water Service Rated at 150 psi / Flat Faced)

4"-12" Water service rated at 175 psi. Greater than 12" rated at 150 psi.

Class D - Nominal (IPS) Pipe Size - Not all dimensions conform to specific AWWA class specifications.



Pipe Size	Weight (lbs.)	Outside Diameter	Thickness	Bore	Part Number	Price
1-1/2"	3.4	5"	5/8"	1.95"	F083-20-015	16.00
2"	3.9	6"	5/8"	2.45"	F083-20-02	17.00
2-1/2"	5.3	7"	5/8"	2.95"	F083-20-025	23.00
3"	5.8	7-1/2"	5/8"	3.57"	F083-20-03	25.00
3-1/2"	7.2	8-1/2"	5/8"	4.07"	F083-20-035	33.00
4"	7.8	9"	5/8"	4.57"	F083-20-04	35.00
5"	8.7	10"	5/8"	5.66"	F083-20-05	39.00
6"	10.7	11"	11/16"	6.72"	F083-20-06	47.00
8"	15.3	13-1/2"	11/16"	8.72"	F083-20-08	66.00
10"	19.3	16"	11/16"	10.88"	F083-20-10	86.00
12"	33.0	19"	13/16"	12.88"	F083-20-12	146.00

Class D - OD Pipe Size - Not all dimensions conform to specific AWWA class specifications.

Pipe Size	Weight (lbs.)	Outside Diameter	Thickness	Bore	Part Number	Price
4"	8.4	9"	5/8"	4.06"	F083-22-04	37.00
5"	9.5	10"	5/8"	5.06"	F083-22-05	42.00
6"	11.9	11"	11/16"	6.06"	F083-22-06	53.00
8"	16.9	13-1/2"	11/16"	8.06"	F083-22-08	75.00
10"	21.7	16"	11/16"	10.06"	F083-22-10	95.00
12"	36.4	19"	13/16"	12.06"	F083-22-12	161.00
14"	46.9	21"	15/16"	14.13"	F083-22-14	206.00
16"	60.0	23-1/2"	1"	16.13"	F083-22-16	266.00
18"	63.4	25"	1-1/6"	18.13"	F083-22-18	279.00
20"	79.7	27-1/2"	1-1/8"	20.13"	F083-22-20	351.00
24"	111.3	32"	1-1/4"	24.13"	F083-22-24	485.00
30"	164.7	38-3/4"	1-3/8"	30.13"	F083-22-30	674.00
36"	259.7	46"	1-5/8"	36.19"	F083-22-36	995.00
42"	361.1	53"	1-3/4"	42.19"	F083-22-42	1,569.00
48"	426.3	59-1/2"	1-3/4"	48.19"	F083-22-48	1,927.00

# PVC Flange



Size	Description	Part Number	Price
4"	PVC Flange of IPS	F980-854-040	80.00
6"	PVC Flange of IPS	F980-854-060	129.00
8"	PVC Flange of IPS	F980-854-080	203.00
10"	PVC Flange of IPS	F980-854-100	532.00
6"	PIP x IPS Adapt	F980-431-060	36.00
8"	PIP x IPS Adapt	F980-431-080	44.00



# Blind Flanges

## 1/2" Thick Blind Flanges



Pipe Size	Weight (lbs.)	Diameter	Thickness	Bore	Part Number	Price
3"	6.0	7-1/2"	1/2"	Blind	F083-40-03	24.00
4"	8.6	9"	1/2"	Blind	F083-40-04	34.00
5"	10.6	10"	1/2"	Blind	F083-40-05	43.00
6"	13.0	11"	1/2"	Blind	F083-40-06	53.00
8"	19.6	13-1/2"	1/2"	Blind	F083-40-08	79.00
10"	27.0	16"	1/2"	Blind	F083-40-10	109.00
12"	39.0	19"	1/2"	Blind	F083-40-12	158.00

## Class "B" Blind Flanges - 4"-12" water service rated at 175 psi. Greater than 12" rated at 150 psi.

Pipe Size	Weight (lbs.)	Diameter	Thickness	Bore	Part Number	Price
4"	10.6	8"	5/8"	Blind	F083-42-04	43.00
5"	13.0	10"	5/8"	Blind	F083-42-05	53.00
6"	18.0	11"	11/16"	Blind	F083-42-06	74.00
8"	26.0	13-1/2"	11/16"	Blind	F083-42-08	105.00
10"	48.0	16"	11/16"	Blind	F083-42-10	193.00
12"	83.0	19"	13/16"	Blind	F083-42-12	334.00
14"	95.0	21"	15/16"	Blind	F083-42-14	382.00
16"	113.0	23-1/2"	1"	Blind	F083-42-16	456.00
18"	150.0	25"	1-1/16"	Blind	F083-42-18	606.00
20"	181.0	27-1/2"	1-1/8"	Blind	F083-42-20	730.00
24"	273.0	32"	1-1/4"	Blind	F083-42-24	1,097.00
30"	436.0	38-3/4"	1-3/8"	Blind	F083-42-30	1,752.00
36"	735.0	46"	1-5/8"	Blind	F083-42-36	2,955.00

# Gaskets 150# Drilling

## 1/16" Fiber-filled Ring Gasket



Size	Part Number	Price
2"	F083-81-02	1.00
2-1/2"	F083-81-025	1.50
3"	F083-81-03	1.50
4"	F083-81-04	2.25
5"	F083-81-05	3.00
6"	F083-81-06	3.25
8"	F083-81-08	5.00
10"	F083-81-10	7.50
12"	F083-81-12	10.00
14"	F083-81-14	15.00
16"	F083-81-16	18.00
18"	F083-81-18	22.00
20"	F083-81-20	29.00
24"	F083-81-24	44.00

## 1/16" Red Rubber Full Face Gasket



Size	Part Number	Price
2"	F083-82-02	1.50
2-1/2"	F083-82-025	2.00
3"	F083-82-03	2.00
4"	F083-82-04	3.00
5"	F083-82-05	3.75
6"	F083-82-06	4.75
8"	F083-82-08	6.25
10"	F083-82-10	8.25
12"	F083-82-12	10.00
14"	F083-82-14	11.00
16"	F083-82-16	19.00
18"	F083-82-18	17.00
20"	F083-82-20	29.00
24"	F083-82-24	44.00

## 1/16" Fiber-filled Full Face Gasket



Size	Part Number	Price
2"	F083-80-02	2.50
2-1/2"	F083-80-025	3.25
3"	F083-80-03	3.25
4"	F083-80-04	3.75
5"	F083-80-05	4.50
6"	F083-80-06	5.00
8"	F083-80-08	7.25
10"	F083-80-10	12.00
12"	F083-80-12	15.00
14"	F083-80-14	16.00
16"	F083-80-16	23.00
18"	F083-80-18	26.00
20"	F083-80-20	34.00
24"	F083-80-24	52.00

# Compression Couplings *Flexible Steel*

## Couplings with Steel Barrel

Dresser Style couplings connect IPS, O.D., PIP pipe sizes inline. Also allows for transitions between different types of pipe.

### Standard



Size	Part Number	Price
3"	F090-120A03	88.00
4"	F090-120A04	100.00
5"	F090-120A05	113.00
6"	F090-120A06	130.00
8"	F090-120A08	145.00
10"	F090-120A10	198.00
12"	F090-120A12	261.00

### Coupling Gaskets



Size	Type	Part Number	Price
2-3/8"	IPS	F088-3023	4.50
3-1/2"	IPS	P1640-01	4.25
4-1/2"	IPS	P1640-02	3.75
5-1/2"	IPS	P1640-03	7.50
6-5/8"	IPS	P1640-04	4.75
8-5/8"	IPS	P1640-05	5.75
10-3/4"	IPS	P1640-06	7.00
12-3/4"	IPS	P1640-07	18.00
4"	OD/PIP	P1638-02	4.75
6"	OD/PIP	P1638-04	5.75
8"	OD/PIP	P1638-05	9.50
10"	OD/PIP	P1638-06	11.00
12"	OD/PIP	P1638-07	23.00
14"	OD	F088-3142	24.00
15"	OD/PIP	F088-3152	25.00
16"	OD/PIP	F088-3162	28.00
18"	OD/PIP	P1639-08	38.00
21"	PIP	P1639-09	96.00
24"	PIP	P1639-10	138.00

### IPS Long



Size	Part Number	Price
3"	F090-120A03L	111.00
4"	F090-120A04L	131.00
6"	F090-120A06L	146.00
8"	F090-120A08L	176.00
10"	F090-120A10L	229.00
12"	F090-120A12L	293.00

### O.D.



Size	Part Number	Price
4"	F090-120B04	116.00
5"	F090-120B05	131.00
6"	F090-120B06	135.00
8"	F090-120B08	160.00
10"	F090-120B10	200.00
12"	F090-120B12	266.00
14"	F090-120B14	306.00
16"	F090-120B16	646.00

### Coupling Gaskets (AC type)



Size	Part Number	Price
6.57" - 6.70"	F090-120-073	19.00
6.84" - 7.28"	F090-120-063	19.00
8.56" - 8.75"	F090-120-072	22.00
8.99" - 9.43"	F090-120-062	22.00

### PIP



Size	Part Number	Price
3"	F090-120C03	111.00
4"	F090-120C04	131.00
6"	F090-120C06	146.00
8"	F090-120C08	176.00
10"	F090-120C10	229.00
12"	F090-120C12	293.00
15"	F090-120C15	604.00
18"	F090-120C18	923.00
21"	F090-120C2124	1,316.00
24"	F090-120C2424	1,830.00

## Reducer Compression Coupler Well Seals

For connecting pipes of different diameters. Also used to seal wells between column and well casing.

Size	Part Number	Price
6" x 8"	F090-120G08A	279.00
6" x 10"	F090-120G10B	279.00
6" x 12"	F090-120G12C	351.00
6" x 16"	F090-120H16D	447.00
8" x 10"	F090-120G10A	307.00
8" x 12"	F090-120G12B	383.00
8" x 16"	F090-120H16C	487.00
10" x 12"	F090-120G12A	452.00
10" x 16"	F090-120H16B	487.00



# Compression Couplings

## Coupling for PIP with PVC Barrel Regular Dresser 12" long



PIP Size	Part Number	Price
6"	F090-120C06P	174.00
8"	F090-120C08P	198.00
10"	F090-120C10P	253.00
12"	F090-120C12P	327.00
15"	F090-120C15P	651.00

## Clear View (Barrel only)

All sizes use 4 1/2" long barrel



Size	Part Number	Price
2-3/8"	F090-120-049	39.00
3-1/2"	F090-120-047	50.00
4-1/2"	F090-120-044	67.00
5-1/2"	F090-120-048	69.00
6-5/8"	F090-120-043	75.00
8-5/8"	F090-120-042	109.00

## Clear View Coupler (Complete)



Size	Part Number	Price
2-3/8"	F090-120D02	77.00
3-1/2"	F090-120D03	94.00
4-1/2"	F090-120D04	108.00
5-1/2"	F090-120D05	136.00
6-5/8"	F090-120D06	154.00
8-5/8"	F090-120D08	224.00

## Cement Couplers



Size	Part Number	Price
6" AC to 6-5/8" Iron Pipe	F090-120S06	134.00
8" AC to 8-5/8" Iron Pipe	F090-120S08	207.00

# Plastic Drain Valve



## Plastic Drain Valve

Size	Part Number	Price
3/4"	P2381-04	7.25

# Draw Band

Draw Bands are used to secure valves to various types of pipeline.

Sold in lots of 10

Notes: Regular size for 0-50# pipe

Oversized for 80-100# pipe: Red- Add an A to part number below (i.e. F088-2104A)

Extra Large for 120# plus pipe: Silver- Add a B to part number below (i.e. F088-2104B)



Size	ID	Part Number	Price
4"	4-1/4"	F088-2104	9.75
5"	5-3/8"	F088-2105	11.00
6"	6-1/4"	F088-2106	9.75
8"	8-3/8"	F088-2108	10.00
10"	10-3/8"	F088-2110	10.00
12"	12-1/2"	F088-2112	11.00
15"	15-1/2"	F088-2115	13.00
18"	18-1/2"	F088-2118	26.00

# Series 9300 Linear Flow Control Valve

## Basic Valve



Series 9300 Linear Flow Control Valves provide simple on/off control and pressure regulation at pumps, and are also very effective for zone control in many field applications.

**Caution:** Product contains lead and is therefore unsafe for use in the food industry.

Wafer style pricing includes bolt packs.

End Configuration	Size	Body Material	Max. Work Pressure	Part Number	Price
Threaded	2"	Brass	250 psi	F093-020-65-00-00-00	377.00
Threaded	3"	Aluminum	150 psi	F093-030-55-00-00-00	435.00
Wafer	3"	Ductile Iron	250 psi	F093-030-05-00-00-00	435.00
Wafer	4"	Ductile Iron	250 psi	F093-040-05-00-00-00	617.00
Wafer	6"	Ductile Iron	250 psi	F093-060-05-00-00-00	1,053.00
Wafer	8"	Ductile Iron	250 psi	F093-080-05-00-00-00	1,837.00

## On-Off Electric

With the addition of a solenoid, the Series 9300 Linear Flow Control Valves may be electrically controlled to perform a wide variety of water control applications.

End Configuration	Valve Size	Body Material	Max. Work Pressure	Price
Threaded	2"	Brass	250 psi	519.00
Threaded	3"	Aluminum	150 psi	571.00
Wafer	3"	Ductile Iron	250 psi	602.00
Wafer	4"	Ductile Iron	250 psi	757.00
Wafer	6"	Ductile Iron	250 psi	1,176.00
Wafer	8"	Ductile Iron	250 psi	1,988.00



## Pressure Reducing



End Configuration	Valve Size	Body Material	Max. Work Pressure	Price
Threaded	2"	Brass	250 psi	898.00
Threaded	3"	Aluminum	150 psi	968.00
Wafer	3"	Ductile Iron	250 psi	998.00
Wafer	4"	Ductile Iron	250 psi	1,205.00
Wafer	6"	Ductile Iron	250 psi	1,715.00
Wafer	8"	Ductile Iron	250 psi	2,560.00

## Replacement Sleeves



Valve Size	Body Material	Maximum Pressure	Part Number	Price
2"	Aluminum End Gun	15-75 psi	F093-9A02F	36.00
2"	Brass	15-75 psi	F093-9C02F	43.00
3"	Brass	15-75 psi	F093-9C03F	85.00
4"	Brass	15-75 psi	F093-9C04F	107.00
6"	Brass	15-75 psi	F093-9C06F	149.00
8"	Brass	15-75 psi	F093-9C08F	230.00
2"	Aluminum End Gun	30-150 psi	F093-9A02G	36.00
2"	Brass	30-150 psi	F093-9C02G	43.00
3"	Brass	30-150 psi	F093-9C03G	85.00
4"	Brass	30-150 psi	F093-9C04G	107.00
6"	Brass	30-150 psi	F093-9C06G	149.00
8"	Brass	30-150 psi	F093-9C08G	230.00

# Series 9300 Linear Flow Control Valve

## Pressure Reducing On-Off Electric

End Configuration	Valve Size	Body Material	Max. Work Pressure	Price
Threaded	2"	Brass	250 psi	1,017.00
Threaded	3"	Aluminum	150 psi	1,084.00
Wafer	3"	Ductile Iron	250 psi	1,116.00
Wafer	4"	Ductile Iron	250 psi	1,329.00
Wafer	6"	Ductile Iron	250 psi	1,773.00
Wafer	8"	Ductile Iron	250 psi	2,562.00



## Pressure Sustaining

End Configuration	Valve Size	Body Material	Max. Work Pressure	Price
Threaded	2"	Brass	250 psi	898.00
Threaded	3"	Aluminum	150 psi	968.00
Wafer	3"	Ductile Iron	250 psi	998.00
Wafer	4"	Ductile Iron	250 psi	1,205.00
Wafer	6"	Ductile Iron	250 psi	1,715.00
Wafer	8"	Ductile Iron	250 psi	2,560.00

## Pressure Relief

End Configuration	Valve Size	Body Material	Max. Work Pressure	Price
Threaded	2"	Brass	250 psi	898.00
Threaded	3"	Aluminum	150 psi	968.00
Wafer	3"	Ductile Iron	250 psi	998.00
Wafer	4"	Ductile Iron	250 psi	1,205.00
Wafer	6"	Ductile Iron	250 psi	1,715.00
Wafer	8"	Ductile Iron	250 psi	2,560.00

## Repair Parts

Description	Part Number	Price
Isolation valve	F093-342-4	16.00
Isolation valve for strainer	F093-342-4-2	16.00
Inline strainer 2"	F093-352-2x26	19.00
Inline strainer 3"	F093-352-2x36	22.00
1/8" 3-way valve	F093-340-2	24.00
1/4" 3-way valve	F093-340-4	37.00
C Series solenoid repair kit	F094-C60-S006	52.00

## End Gun Valves



End Gun Valves control water flow to the last sprinkler on irrigation pivots.

End Configuration	Valve Size	Body Material	Max. Work Pressure	Price
Basic Model Threaded	2"	Aluminum	150 psi	210.00
On-Off Electric Threaded	2"	Aluminum	150 psi	278.00
On-Off Electric with 3-Way Valve Threaded	2"	Aluminum	150 psi	421.00

## Bolt Packs

Bolt packs included with all wafer end valves.



Flange Size	Flange Type	Bolt Size	No. of Bolts Required	Part Number	Price
3"	1/2" & Class D Steel Flanges	5/8" x 9"	4 each	F093-8B03U	21.00
4"	1/2" & Class D Steel Flanges	5/8" x 10-1/2"	8 each	F093-8B04U	41.00
6"	1/2" & Class D Steel Flanges	3/4" x 12-1/2"	8 each	F093-8B06U	56.00
8"	1/2" & Class D Steel Flanges	3/4" x 14-1/2"	8 each	F093-8B08U	65.00
3"	PVC Flanges	5/8" x 10"	4 each	F093-8B03P	24.00
4"	PVC Flanges	5/8" x 11-1/2"	8 each	F093-8B04P	44.00
6"	PVC Flanges	3/4" x 14"	8 each	F093-8B06P	64.00
8"	PVC Flanges	3/4" x 16"	8 each	F093-8B08P	71.00



# SKINNER *Solenoid Valve*

## Three-Way A Series Solenoids



### Three-Way A Series

Materials – Die-cast body and stainless steel internal parts

Weight – 2.5 lbs.

Media – Water, air, oil, inert gases, and vacuum

## A5LB2127 A Series Solenoids

Skinner Valve Number	Max. Operating Pres. AC	Differential DC	Inlet Port		Outlet Port	
			Diameter	Cv Factor	Diameter	Cv Factor
F094-A5LB2127	125 psi	125 psi	5/32"	.50	5/32"	.50

## Three-Way C Series Solenoids



### Three-Way C Series

Materials – Brass body and stainless steel internal parts

Weight – 0.8 to 0.9 lbs

Media – All common media including air, inert gases, and hydraulic fluid

## C5LM1175 C Series Solenoids

Skinner Valve Number	Max. Operating Pres. AC	Differential DC	Inlet Port		Outlet Port	
			Diameter	Cv Factor	Diameter	Cv Factor
F094-C5LM1175	175 psi	175 psi	3/64"	.10	1/16"	.10

## Three-Way A Series Solenoids

### Solenoid Valve

Solenoid Voltage	Part Number	Price
24 VAC	F094-A5LB2127B	584.00
120 VAC	F094-A5LB2127C	381.00

## Three-Way C Series Solenoids

### Solenoid Valve

Solenoid Voltage	Part Number	Price
24 VAC	F094-C5LM1175B	147.00
120 VAC	F094-C5LM1175C	132.00
24 VAC	F094-C5HM1175B	139.00
120 VAC	F094-C5HM1175AB6AF	139.00

## Molded Coil



Solenoid Voltage	Part Number	Price
24 VAC	F094-A-B720-S24	76.00
120 VAC	F094-A-B728-S24	76.00
240 VAC	F094-A-B731-S24	79.00
480 VAC	F094-A-B734-S24	127.00
12 VDC	F094-A-7724-F24	152.00
24 VDC	F094-A-7727-F24	152.00

## Molded Coil



Solenoid Voltage	Part Number	Price
24 VAC	F094-CC-7726-F24	50.00
120 VAC	F094-CC-7733-F24	50.00
240 VAC	F094-CC-7736-F24	117.00
480 VAC	F094-CC-7739-F24	117.00
12 VDC	F094-CC-7728-F24	100.00
24 VDC	F094-CC-7731-F24	100.00
120 VAC	F094-CC-H733-T24	102.00
24 VAC	F094-CC-H726-T24	102.00

# Prestolok Fittings

Prestolok fittings combine maximum reliability with simple time saving connections.

## Union Tee for O.D.



Nominal Tube O.D.	Part Number	Price
1/4"	F981-164PL4	12.00
3/8"	F981-164PL6	28.00

## Male Run Tee Swivel for O.D.



NPT Pipe Size	Nominal Tube O.D.	Part Number	Price
1/8"	1/4"	F981-171PL42	14.00
1/4"	1/4"	F981-171PL44	20.00
1/4"	3/8"	F981-171PL64	28.00

## Male Branch Tee Swivel for O.D.



NPT Pipe Size	Nominal Tube O.D.	Part Number	Price
1/8"	1/4"	F981-172PL42	12.00
1/4"	1/4"	F981-172PL44	13.00
1/4"	3/8"	F981-172PL64	20.00

## Brass Union



Nominal Tube O.D.	Part Number	Price
1/4"	F981-62PL4	8.75
3/8"	F981-62PL6	13.00

## Male Elbow Swivel 90° for O.D.



NPT Pipe Size	Nominal Tube O.D.	Part Number	Price
1/8"	1/4"	F981-169PL42	8.00
1/4"	1/4"	F981-169PL44	9.75
1/8"	3/8"	F981-169PL62	13.00
1/4"	3/8"	F981-169PL64	14.00

## Female Connector for O.D.



NPT Pipe Size	Nominal Tube O.D.	Part Number	Price
1/8"	1/4"	F981-66PL42	13.00
1/4"	1/4"	F981-66PL44	14.00

## Male Connector for O.D.



NPT Pipe Size	Nominal Tube O.D.	Part Number	Price
1/8"	1/4"	F981-68PL42	6.00
1/4"	1/4"	F981-68PL44	7.00
1/4"	3/8"	F981-68PL64	17.00

# Pipe Fittings



**Coupling**  
(female pipe to female pipe)

Pipe Size	Part Number	Price
1/8"	F011-90615	3.00
1/4"	F981-207P4	5.00



**Hex Nipple**  
(male pipe to male pipe)

Pipe Size	Part Number	Price
1/8"	F981-216P2	2.00
1/4"	F981-216P4	3.25
3/8"	F981-216P6	5.00
1/2"	F981-216P8	18.00



**Bushing**  
(male pipe to female pipe)

Pipe Size	Part Number	Price
1/4"x1/8"	F981-209P42	2.00
3/8"x1/8"	F981-209P62	6.00
3/8"x1/4"	F981-209P64	3.00
1/2"x1/8"	F981-209P82	10.00
1/2"x1/4"	F981-209P84	4.50
1/2"x3/8"	F981-209P86	9.00
3/4"x1/8"	F981-209P122	22.00
3/4"x1/4"	F981-209P124	17.00
3/4"x3/8"	F981-209P126	16.00
3/4"x1/2"	F981-209P128	13.00



**Hex Nipple Reducer**

Pipe Size	Part Number	Price
1/4"x1/8"	F981-216P42	4.25



**Long Nipple**

Pipe Size	Part Number	Price
1/8"x1-1/2"	F981-215215	7.00
1/4"x1-1/2"	F981-215415	13.00
1/4"x2-1/2"	F981-215425	22.00
3/8"x1-1/2"	F981-215615	22.00



**Hex-Head Plug**

Pipe Size	Part Number	Price
1/8"	F981-218P2	2.25
1/4"	F981-218P4	3.50



**Adapter**  
(female pipe to male pipe)

Pipe Size	Part Number	Price
1/8"x 1/8"	F981-222P22	4.00
1/4"x 1/8"	F981-222P42	4.50
1/4"x 1/4"	F981-222P44	5.00

# Series 9400 PVC Ball Valves

Series 9400 PVC Ball Valves are designed for a variety of water control projects, waste water, swimming pools, chemical and irrigation applications for residential, commercial, marine and agricultural use.



## Slip

Size	Weights	Carton Quantities	Case Quantities	Part Number	Price
1/2"	0.17	320	160	F094-260-04	1.25
3/4"	0.23	220	110	F094-260-06	2.00
1"	0.44	120	60	F094-260-1	2.75
1-1/4"	0.59	80	40	F094-260-12	4.25
1-1/2"	0.89	60	30	F094-260-14	5.50
2"	1.36	32	16	F094-260-2	8.50
2-1/2"	2.63	16	8	F094-260-24	19.00
3"	4.43	6	1	F094-260-3	31.00
4"	6.03	6	1	F094-260-4	64.00

## Threaded

Size	Weights	Carton Quantities	Case Quantities	Part Number	Price
1/2"	0.19	320	160	F094-250-04	1.25
3/4"	0.25	220	110	F094-250-06	2.00
1"	0.46	120	60	F094-250-1	2.75
1-1/4"	0.58	80	40	F094-250-12	4.25
1-1/2"	0.91	60	30	F094-250-14	5.50
2"	1.40	32	16	F094-250-2	8.50
2-1/2"	2.64	16	8	F094-250-24	19.00
3"	4.70	6	1	F094-250-3	31.00
4"	6.30	6	1	F094-250-4	64.00



## Valves Parts



Size	Parts	Part Number	Price
1/2"	Handle Replacement Kit Ball Valve PVC 1/2	F094-250-040	.50
3/4"	Handle Replacement Kit Ball Valve PVC 3/4	F094-250-060	.75
1"	Handle Replacement Kit Ball Valve PVC 1	F094-250-10	1.00
1-1/4"	Handle Replacement Kit Ball Valve PVC 1-1/4	F094-250-120	1.25
1-1/2"	Handle Replacement Kit Ball Valve PVC 1-1/2	F094-250-140	1.25
2"	Handle Replacement Kit Ball Valve PVC 2	F094-250-20	1.50
2-1/2"	Handle Replacement Kit Ball Valve PVC 2-1/2	F094-250-240	4.50
3"	Handle Replacement Kit Ball Valve PVC 3	F094-250-30	6.00
4"	Handle Replacement Kit Ball Valve PVC 4	F094-250-40	6.75

# Miscellaneous Hardware

## Rubber Packing (Square Extrusion)



Size (Square)	Feet per Roll	Part Number	Price (per foot)
1/4"	200'	F919-010	2.00
5/16"	200'	F919-015	2.25
3/8"	200'	F919-020	3.00
7/16"	200'	F919-026	3.00
27/64**	200'	F919-025	4.00
9/16"	100'	F919-030	4.25

\* Available with 1/8" hole.

## Ready Set Ring

Description	Part Number	Price
3-1/2" / 4" x 8"	F020-003508	2.25
5" x 8"	F020-005008	3.00
5" x 10"	F020-005010	3.25
6" x 10"	F020-006010	3.50
6 1/2" x 10"	F020-006510	3.50
8" x 12"	F020-008012	5.50
10" x 14"	F020-010014	7.00

## Raw Handle Stock



Size (Square)	Part Number	Price
5/8"	F040-06186	7.00
3/4"	F040-12186	8.00
7/8"	F040-20186	10.00

## Gasket Cement (4 oz. Can)



Part Number	Price
F088-00170	9.50

## Hemp Gasket Material



Size (Square)	Part Number	Price (per lbs.)
1/4"	F088-0150	67.00
5/16"	F088-0160	67.00
3/8"	F088-0170	67.00
7/16"	F088-0180	67.00
1/2"	F088-0190	67.00
5/8"	F088-0200	67.00
3/4"	F088-0210	67.00

## Oakum - (per lb.) - 5 lb. Boxes



Part Number	Price
F088-0080	12.00 per lb

## Banding Paper



Item	Part Number	Price
6" width - 4 rolls per bundle	F088-0090	30.00 per roll

## Rubber Gloves



Size	Part Number	Price
Medium	F088-0040	15.00
Large	F088-0042	15.00

## Custom Plug



Item	Part Number	Price
Custom plug, 1 gal.	F088-0062	44.00
Custom plug, 5 gal.	F088-0062A	101.00

## TC-40 Mastic (5/8" x 1")



Part Number	Price
F088-5150	3.25

## 12 qt. Rubber Bucket

Description	Part Number	Price
12 qt. Rubber Bucket	F088-0030	31.00

## 4 Row Brushes - 24 per box

Description	Part Number	Price
4 Row Brushes - 24 per box	F088-0020	10.50 ea

## Pressure Gauges



Pressure Range (psi)	Case Material	Part Number	Price
0-30	ABS	F011-90660	21.00
0-60	ABS	F011-90662	21.00
0-100	ABS	F011-90664	21.00
0-160	ABS	F011-90666	21.00
0-100	Stainless	F011-90653	26.00
0-160	Stainless	F011-90655	26.00
0-200	Stainless	F011-90656	26.00



# Series 1100 Stainless Steel Sand Media Filters

## Stainless Steel Sand Media Filters



Flow-Guard Media Filters provide superior filtration in any irrigation application. Utilizing three-dimensional filtration through media bed with a large surface area has proven to be the most effective and reliable way to remove both organic and inorganic contaminant loads from irrigation source water. The combination of stainless steel construction and flow balanced under drain, create an extremely efficient and durable filter suitable for even the most difficult applications. Lightweight, easy to install and less expensive to ship than conventional models.

Please contact your nearest Fresno Valves & Castings location for current quotation for any of your Flow-Guard media filter needs.

## Standard Vertical Filters

Model No.	GPM	Auto Part No.	Semi Auto Part No.	Ship Weight (lbs.)	Manifold In/Out
215	45-60	F011-150012	F011-150032	220	2"
218	60-90	F011-180012	F011-180032	240	3"
224	110-160	F011-240012	F011-240032	375	3"
324	175-240	F011-240013	F011-240033	520	4"
230	170-245	F011-300012	F011-300032	575	4"
330	250-370	F011-300013	F011-300033	705	6"
236	240-350	F011-360012	F011-360032	660	4"
336	420-525	F011-360013	F011-360033	970	6"
245	380-555	F011-450012	F011-450032	860	6"
345	570-835	F011-450013	F011-450033	1300	6"
445	760-1110	F011-450014	F011-450034	1820	8"
445T	760-1110	F011-450214	N/A	N/A	N/A
545T	950-1390	F011-450215	F011-450235	2245	10"
645T	1140-1665	F011-450216	N/A	N/A	N/A
248	425-625	F011-480012	F011-480032	900	6"
348	640-940	F011-480013	F011-480033	1360	6"
448	850-1250	F011-480014	F011-480034	1900	8"
448T	850-1250	F011-480214	F011-480234	1900	10"
548T	1060-1565	F011-480215	F011-480235	2360	10"
648T	1275-1875	F011-480216	F011-480236	2860	10"

## Media

Description	Weight (lbs.)	Media Only	w/Filter Price	Part Number
#12 Silica Sand	100 (bag)	28.00	23.00	F011-90070
#16 Silica Sand	100 (bag)	28.00	23.00	F011-90073
#20 Silica Sand	100 (bag)	28.00	23.00	F011-90075
Washed Gravel	80 (bag)	28.00	23.00	F011-90090
Garnet	50 (bag)	76.00	62.00	F011-90066

For orders of media that are placed in exact multiples of standard pallet quantities, which are 30 bags per pallet of sand, 36 bags per pallet of gravel and 80 bags per pallet of garnet, the per bag price for media ordered in exact pallet multiples will be \$1.00 per bag lower than the prices scheduled above.

# Backwash Controllers

## Backwash Controllers

Fully programmable, solid-state controllers enable backwash cycles to be initiated periodically or by pressure differential.

-Alextronix Controllers are Standard



## Backwash Controllers

Model No.	Part Number	Description	Price
F2AC/DC-D/P	F011-CM02AD	2 Station, AC/DC Input, Alarm	1,190.00
F3AC/DC/DCL-D	F011-CM03AD	3 Station, AC/DC Input, 24 VAC/12 VDC or DCL Output	1,459.00
F4AC/DC/DCL-D	F011-CM04AD	4 Station, AC/DC Input, 24 VAC/12 VDC or DCL Output	1,678.00
F8AC/DC/DCL-D	F011-CM08AD	8 Station, AC/DC Input, 24 VAC/12 VDC or DCL Output	1,892.00
F12AC/DC/DCL-D	F011-CM12AD	12 Station, AC/DC Input, 24 VAC/12 VDC or DCL Output	2,309.00
F16AC/DC/DCL-D	F011-CM16AD	16 Station AC/DC Input, 24 VAC/12 VDC or DCL Output	2,865.00
FM4AC/DC/DCL	F011-FM04AD	Digital, 4 Station, AC/DC Input, 24VAC/12 VDC or DCL Output	1,599.00
FM8AC/DC/DCL	F011-FM08AD	Digital, 8 Station, AC/DC Input, 24VAC/12 VDC or DCL Output	1,806.00
FM12AC/DC/DCL	F011-FM12AD	Digital, 12 Station, AC/DC Input, 24VAC/12 VDC or DCL Output	2,294.00
FM16AC/DC/DCL	F011-FM16AD	Digital, 16 Station, AC/DC Input, 24VAC/12 VDC or DCL Output	2,850.00
FM32AC/DC/DCL	F011-FM32AD	Digital, 32 Station, AC/DC Input, 24VAC/12 VDC or DCL Output	3,798.00

Note: Prices and Part Numbers shown are with Murphy P.D. Switch.

## Controller Parts

Description	Part Number	Price
P.D. Switch, Murphy	F012-1201M	366.00
Solenoid Valve, 12 VDC (Black)	F011-990110	168.00
Solenoid Valve, 24 VAC	F011-990115	189.00
Dual Controller Mounting Bracket Assembly	F011-AV101	177.00
Solenoid Valve, 12 V, Latching (Blue/Silver)	F011-990120	358.00
Battery	F011-98014	166.00
5 Watt Solar Panel	F011-98104	244.00
5 Watt Solar Panel Mounting Bracket	F011-98105	202.00
Controller Mount Bracket Assembly	F011-AV100	113.00
P.D. Plumbing Kit	F012-1201MK	24.00
115V Transformer	F011-98065	141.00
FM P.D. Switch	F012-1201S	352.00

## Line Strainers & Housing

Simple in-line strainers capture sand and other material, preventing potential downstream problems. Recommended as a secondary or backup filtration only. Commonly used as an added protection in Media Filter Systems.

Note: Standard Screen Size - 50 Mesh

Size	Line Strainer Part No.	Price	Strainer Housing Part No.	Price
4"	F011-L0405	720.00	F011-L04H	168.00
6"	F011-L0605	897.00	F011-L06H	255.00
8"	F011-L0805	922.00	F011-L08H	336.00
10"	F011-L1005	979.00	F011-L10H	363.00
12"	F011-L1205	1,018.00	F011-L12H	484.00
14"	F011-L1405	1,236.00	F011-L14H	573.00



# Basket Strainers

Basket strainers capture sand and other material, preventing potential down-stream problems. This body style accommodates a variety of connection types. Easy access to strainer allows for quick, in-line access.



## Model SBS Grooved

Size	Model No.	Max. GPM	Part Number	Price
6"	SBS-900	900	F011-B-2606	3,777.00
8"	SBS-1200	1200	F011-B-2806	3,940.00
10"	SBS-1800	1800	F011-B-3006	5,221.00
12"	SBS-2400	2400	F011-B-3206	6,601.00



## Model CBS Grooved

Size	Model No.	Max. GPM	Part Number	Price
6"	CBS-06	900	F011-B-0606	4,891.00
8"	CBS-08	1200	F011-B-0806	5,127.00
10"	CBS-10	1800	F011-B-1006	5,305.00
12"	CBS-12	2400	F011-B-1206	5,977.00

## Model SBS Flanged

Size	Model No.	Max. GPM	Part Number	Price
6"	SBS-900	900	F011-B-2606F	4,438.00
8"	SBS-1200	1200	F011-B-2806F	4,459.00
10"	SBS-1800	1800	F011-B-3006F	5,873.00
12"	SBS-2400	2400	F011-B-3206F	7,971.00

## Model CBS Flanged

Size	Model No.	Max. GPM	Part Number	Price
6"	CBS-06	900	F011-B-0606F	5,668.00
8"	CBS-08	1200	F011-B-0806F	6,163.00
10"	CBS-10	1800	F011-B-1006F	6,268.00
12"	CBS-12	2400	F011-B-1206F	7,336.00



## SBS Parts

Model No.	Description	Part Number	Price
SBS-900	Element, 60 Mesh	F011-B-S0960	1,125.00
SBS-900	Lid, #304 SS, 13.25" O.D.	F011-B0071	358.00
SBS-900	Lid Gasket	F011-B0074	99.00
SBS-1200	Element, 60 Mesh	F011-B-S1260	1,176.00
SBS-1200	Lid, #304 SS, 13.25" O.D.	F011-B0071	358.00
SBS-1200	Lid Gasket	F011-B0074	99.00
SBS-1800	Element, 60 Mesh	F011-B-S1860	1,260.00
SBS-1800	Lid, #304 SS, 15.25" O.D.	F011-B0072	408.00
SBS-1800	Lid Gasket	F011-B0075	100.00
SBS-2400	Element, 60 Mesh	F011-B-S2460	1,488.00
SBS-2400	Lid, #304 SS, 16.50" O.D.	F011-B0073	497.00
SBS-2400	Lid Gasket	F011-B0076	106.00



## CBS Parts

Model No.	Description	Part Number	Price
CBS-06	Element, 60 Mesh	F011-B-S060	626.00
CBS-06	Lid, #304 SS, 15.25" O.D.	F011-B0072	408.00
CBS-06	Lid Gasket	F011-B0075	100.00
CBS-08	Element, 60 Mesh	F011-B-S080	1,244.00
CBS-08	Lid, #304 SS, 15.25" O.D.	F011-B0072	408.00
CBS-08	Lid Gasket	F011-B0075	100.00
CBS-10	Element, 60 Mesh	F011-B-S100	1,244.00
CBS-10	Lid, #304 SS, 15.25" O.D.	F011-B0072	408.00
CBS-10	Lid Gasket	F011-B0075	100.00

# Media Filter *Parts and Accessories*

## Grooved Couplers



Size	Coupler (complete)	Price	Gasket (only)	Price
2"	F087-90-08G	10.00	F087-91-08	3.00
2-1/2"	F087-90-10G	12.00	F087-91-10	4.00
3"	F087-90-12G	13.00	F087-91-12	4.00
4"	F087-90-16G	17.00	F087-91-16	4.00
5"	F087-90-20G	22.00	F087-91-20	6.00
6"	F087-90-24G	36.00	F087-91-24	6.00
8"	F087-90-32G	54.00	F087-91-32	8.00
10"	F087-90-40G	96.00	F087-91-40	13.00
12"	F087-90-48G	123.00	F087-91-48	15.00
14"	F087-90-56G	203.00	F087-91-56	24.00

## Reducer Couplings



Size	Part Number	Price
4" x 2.5"	F087-90-1610G	37.00
4" x 3"	F087-90-1612G	39.00
5" x 4"	F087-93-2016G	43.00

## End Cap Stainless Steel



Size	Part Number	Price
3"	F011-MA030	124.00
4"	F011-MA040	131.00
6"	F011-MA060	137.00
8"	F011-MA080	181.00
10"	F011-MA100	222.00
12"	F011-MA120	294.00

## Grooved Adapters



Size	PVC	Price	Steel	Price	Stainless	Price
2"	F980-887030PG	10.00	F011-XC120	20.00		
2-1/2"	F980-888030PG	22.00	F011-XC125	22.00		
3"	F980-889040PG	27.00	F011-XC130	24.00	F011-XC230	31.00
4"	F980-890040PG	27.00	F011-XC140	31.00	F011-XC240	38.00
5"	F011-XC050	30.00	F011-XC150	47.00	F011-XC250	54.00
6"	F011-XC060	39.00	F011-XC160	53.00	F011-XC260	67.00
8"	F011-XC080	78.00	F011-XC180	81.00	F011-XC280	108.00
10"	F011-XC090	99.00	F011-XC190	96.00	F011-XC290	269.00
12"	F011-XC091	138.00	F011-XC191	103.00	F011-XC291	374.00

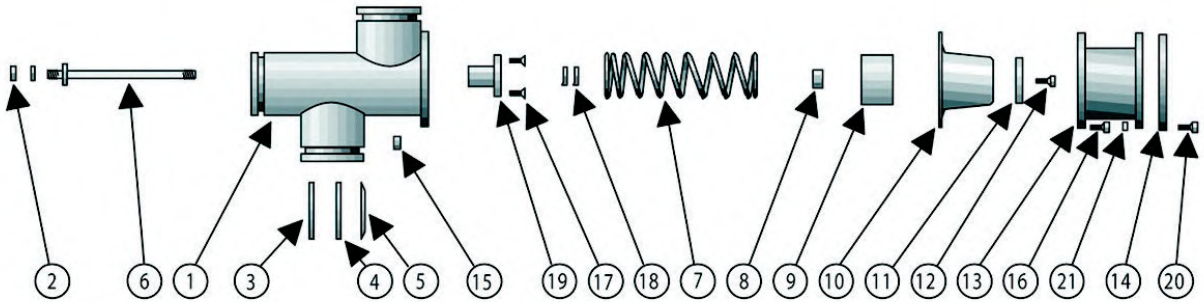
## Backwash Valves



Size	Part Number	Price
2"	F011-S21	505.00
2-1/2"	F011-S26	517.00
4"	F011-S41	533.00
5"	F011-S52	533.00

# Media Filter *Parts and Accessories*

## Backwash Valves



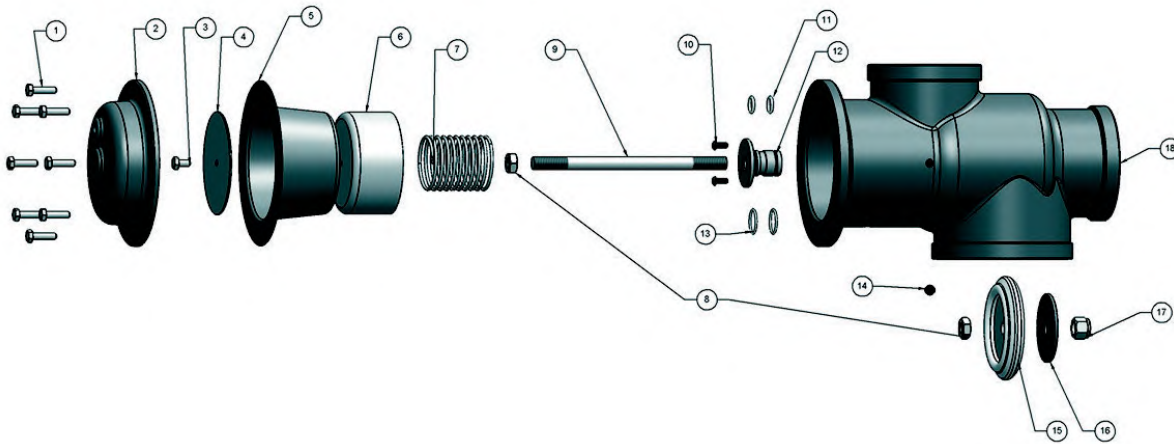
### Backwash Valve Parts For 2", 2-1/2", 4", 5" Old Style

Item Number	Description	Part Number	Price
1	5" Valve Body	F011-S50-031	278.00
1	4" Valve Body	F011-S40-031	258.00
1	2-1/2" Valve Body	F011-S25-031	232.00
1	2" Valve Body	F011-S20-031	204.00
2	Hex Nut (1/2"-13, SS w/nylon insert)	F922-056	1.25
3	Backup Washer, 4" & 5"	F011-S40-006	22.00
3	Backup Washer, 2-1/2"	F011-S25-006	18.00
3	Backup Washer, 2"	F011-S20-006	18.00
4	Plunger Seal, 4" & 5"	F011-94025	18.00
4	Plunger Seal, 2-1/2"	F011-94026	10.00
4	Plunger Seal, 2"	F011-94027	11.00
5	Guide Washer, 4" & 5"	F011-S40-007	23.00
5	Guide Washer, 2-1/2"	F011-S25-007	17.00
5	Guide Washer, 2"	F011-S20-007	17.00
6	Operating Stem, 2-1/2", 4" & 5"	F011-S40-001	56.00
6	Operating Stem, 2"	F011-S20-001	53.00
7	Actuator Spring, 2-1/2", 4", 5"	F011-94024	10.00
7	Actuator Spring, 2"	F011-94024F	10.00
8	Jam Nut	F922-054	.75
9	Actuator Piston, 2-1/2", 4" & 5"	F011-S40-021	86.00
9	Actuator Piston, 2"	F011-S20-021	93.00
10	Rolling Diaphragm, 2-1/2", 4" & 5"	F011-94020	64.00
10	Rolling Diaphragm, 2"	F011-94019	56.00
11	Diaphragm Cap, 2-1/2", 4" & 5"	F011-92516	10.00
11	Diaphragm Cap, 2"	F011-91325	3.50
12	Stainless Steel Hex Bolt	F920-104	1.25
13	Actuator Body, 2-1/2", 4", 5"	F011-S40-011	108.00
14	Actuator End Plate, 2-1/2", 4" & 5"	F011-S40-016	51.00
14	Actuator End Plate, 2"	F011-S20-016	47.00
15	Stainless Steel Hex Nut (ea., 3 req.) 2-1/2", 4", 5"	F011-94037	.75
16	Stainless Steel Hex Bolt (ea., 3 req.) 2-1/2", 4", 5"	F011-94038	1.25
17	Cap Screw	F905-122	.75
18	#112 O-Ring (ea., 2 req.)	F943-112	.75
19	Stem Guide Bushing & O-rings	F011-S20-004	25.00
20	Hex Bolt (ea., 8 req.) 4"	F920-112	1.25
20	Hex Bolt (ea., 8 req.) 2-1/2", 5"	F920-110	1.25
20	Hex Bolt (ea. 8 req.) 2"	F012-0131	1.25
21	Hex Nut (ea., 8 req.) 4"	F922-010	.75



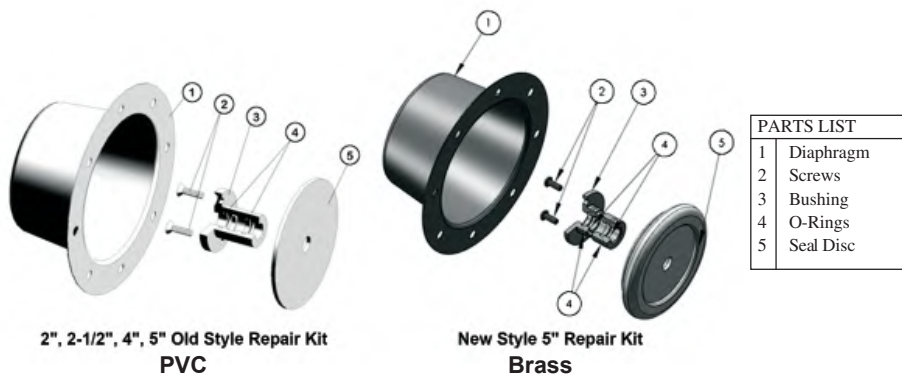
# Media Filter *Parts and Accessories*

## Backwash Valves



### Backwash Valve Parts for 5" New Style

Item Number	Part	Part Number	Price
1	Hex Bolt (each 8 req.)	F920-110	1.25
2	Actuator End Plate	F011-S52-002	51.00
3	Stainless Steel Hex Bolt	F920-104	1.25
4	Diaphragm Cap	F011-92516	10.00
5	Rolling Diaphragm	F011-94020	64.00
6	Actuator Piston	F011-S40-021	86.00
7	Actuator Spring	F011-94024	10.00
8	Jam Nut (each 2 req.)	F922-054	.75
9	Operating Stem	F011-S40-002N	56.00
10	Cap Screw (each 2 req.)	F905-122	.75
11	O-ring, buna, (each 2 req.)	F943-112	.75
12	Stem Guide Bushing & O-rings	F011-S20-003B	51.00
13	#112 O-ring (each 2 req.)	F943-020	.80
14	Zerk	F907-020	.80
15	Seal Disc	F011-S40-007V	32.00
16	Backup Washer	F011-S25-006	18.00
17	Hex Nut (1/2-13 SS w/nylon insert)	F922-056	1.25
18	5" Valve Body	F011-S52-001	278.00



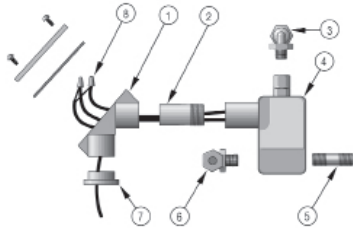
### Backwash Repair Kit

Description	Part Number	Price
2" Repair Kit	F011-S21-RK	70.00
2-1/2" Repair Kit	F011-S26-RK	76.00
4" - 5" Repair Kit	F011-S51-RK	84.00
5" New Style Repair Kit	F011-S52-RK	97.00



# Media Filter *Parts and Accessories*

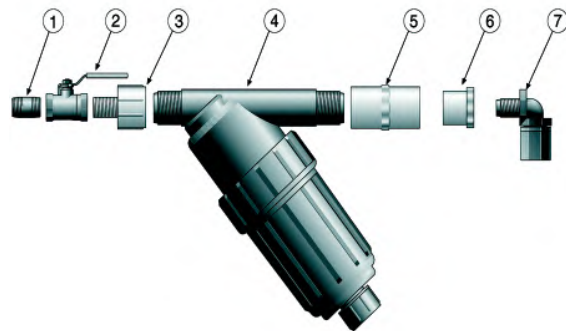
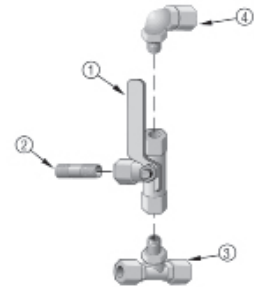
## Valve Kit (Automatic)



Item Number	Description	Part Number	Price
	Valve Kit (Automatic)	F011-S00A	229.00
1	Access Elbow	F011-90840	11.00
2	Nipple, 1/2" x Close Toe, PVC	F980-1882-005	3.50
3	Tubing Elbow (#P6ME4 - 3/8" Tube x 1/4" MIPT)	F011-90644	7.00
4	Solenoid Valve	F011-990110	168.00
5	SS Nipple 1/4" x 1-1/2"	F012-0917	5.25
6	Tubing Tee (#P6MT4 - 3/8" Tube x 3/8" Tube x 1/4" MIPT)	F011-90642	7.00
7	Snap-In Plug	F011-90850	2.50
8	Wire Nut (2 req.)	F011-90820	.30

## Valve Kit (Semi-Automatic)

Item Number	Description	Part Number	Price
	Valve Kit (Semi-Automatic)	F011-S00S	59.00
1	Ball Valve, 1/4", 3-Way Brass	F011-90610	42.00
2	SS Nipple 1/4" x 1-1/2"	F012-0917	5.25
3	Tubing Tee (#P6MT4 - 3/8" Tube x 3/8" Tube x 1/4" MIPT)	F011-90642	7.00
4	Tubing Elbow (#P6ME4 - 3/8" Tube x 1/4" MIPT)	F011-90644	7.00



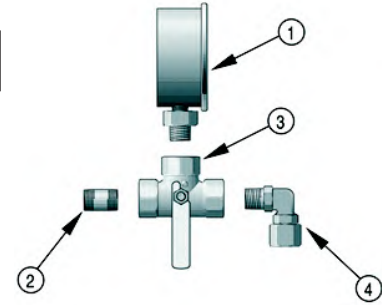
## Hydraulic Charging Kit

Item Number	Description	Part Number	Price
	Hydraulic Charging Kit (Automatic)	F011-AV200	56.00
1	Nipple 1/2" x Close PVC	F980-882-005	1.25
2	Ball Valve, Brass 1/2"	F094-120-04	7.75
3	IPT Adapter 1/2" x 3/4"	F980-446-074	3.25
4	Y Strainer, Plastic, 80 Mesh	F012-0206	27.00
5	Female Adapter, PVC 3/4"	F980-435-007	1.25
6	Reducer Bushing, PVC 3/4" x 1/4"	F980-438-098	1.75
7	Tubing Elbow, #P6ME4	F011-90644	7.00

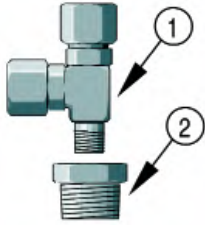
# Media Filter *Parts and Accessories*

## Pressure Gauge Kit

Item Number	Description	Part Number	Price
	Pressure Gauge Kit	F011-AV020	67.00
1	Pressure Gauge, Bottom Tap, Oil Filled	F011-90653	26.00
2	SS Nipple 1/4" x 1-1/2"	F012-0917	5.25
3	Ball Valve, 1/4" 3-Way	F011-90610	42.00
4	Tubing Elbow (#P6ME4 - 3/8" Tube x 1/4" MIPT)	F011-90644	7.00

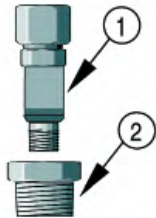


## Lo-Pressure Supply Fitting (Automatic)



Item Number	Description	Part Number	Price
1	Tubing Tee (#P6MR4 - 3/8" Tube x 1/4" MIPT)	F011-90646	8.00
2	Bushing, PVC 1/2" x 1/4", Thread by Thread	F980-439-072	3.25

## Lo-Pressure Supply Fitting (Semi-Automatic)



Item Number	Description	Part Number	Price
1	Tubing Adapter (#P6MC4 - 3/8" Tube x 1/4" MIPT)	F011-90640	8.00
2	Bushing, PVC 1/2" x 1/4", Thread by Thread	F980-439-072	3.25

## View Tube

Size	Part Number	Price
2"	F011-XD210	49.00
3"	F011-XD312	88.00
4"	F011-XD412	101.00



## Site Glass

Size	Part Number	Price
1-1/2" NPT	F011-XD150	115.00



## Site Parts

Size	Part Number	Price
Glass	F011-901230	25.00
Lg Gasket	F011-90181	1.50
Sm Gasket	F011-90180	.75
Top	F011-901220	41.00
Base	F011-901221	24.00
Bolt	F920-140	.75
Washer	F922-110	.25



# Media Filter *Parts and Accessories*

## Miscellaneous Filter Parts

### Port Hole Parts



Description	Part Number	Price
Port hole Cover, 15" Tank, Stainless Steel	F011-TV15A90	97.00
Port hole Cover, 18"-24" Tank, Stainless Steel	F011-TV023	106.00
Port hole Cover, 30"-48" Tank, Cast Iron	F011-T026	63.00
Port hole Cover Gasket, 15" Tank	F011-90722	16.00
Port hole Cover Gasket, 18"-24" Tank	F013-1002	16.00
Port hole Cover Ring Gasket, 30"-48" Tank	F011-90725	16.00
Port hole Cover Bolt, 15"-24" Tank	F920-514	2.75
Port hole Cover Bolt, 30"-48" Tank	F920-520	2.50
Port hole Cover Nut, Brass, 15"-48" Tank	F902-650	2.50
Port hole Cover Washer, 15"-48" Tank	F922-151	.50
Old Style SS Port Hole Cover 30" - 48"	F011-TV48A90	149.00
Old Style Flat Rubber Port Hole Gasket 30" - 48"	F011-90721	18.00

### Manifold Jack



Part Number	Price
F011-MJ000	58.00

### 1/4" Black Poly Tubing



Part Number	Price
F012-0604	.50

### Control Wire, 18-2 PVC Jacket (500' Per Roll)



Part Number	Price
F011-90830	.50

### 3/8" Black Poly Tubing (750' Per Roll)



Part Number	Price
F012-0602	.75

### Filter Element and Cap



Description	Tank Type	Part Number	Price
Filter Element - H=2"	15"-48" tanks	F011-T013	16.00
Filter Element - H=1 3/8"	old style tanks	F011-T010	15.00
Element cap 6" OD	45"-48" tanks	F011-T004	8.75
Element cap 2 1/2" OD	15"-36" tanks	F011-91325	3.50
1/4" hex nut, SS		F922-010	.75

# Series 1600 Sand Separator

The Series 1600 Sand Separator is used to remove sand and other fine solids from water. Sand Separators work by using centrifugal force. The centrifugal force separates the sand from the water. The clean water is forced into the center of the separator and up through an outlet. The sand that is removed from the water is then collected in a collection chamber at the bottom of the separator. This chamber can be manually emptied as needed.

Automated flush system available.



Description	Part Number	Price
Automated Flush Kit 12VDCL	F016-AFKL	1,396.00

Cyclones						
GPM	Number	Size	Inlet/Outlet	Pad Size (in) W x L	Part Number	Price
70-200	1	8	3"	18 x 30	P3950-01	2,292.00
140-400	2	8	4"	36 x 36	P3950-02	3,424.00
210-600	3	8	6"	36 x 54	P3950-03	4,945.00
280-800	4	8	6"	36 x 72	P3950-04	6,329.00
200-400	1	12	4"	18 x 30	P3950-05	2,379.00
400-800	2	12	8"	36 x 36	P3950-06	4,311.00
600-1200	3	12	8"	36 x 54	P3950-07	6,271.00
800-1600	4	12	8"	36 x 72	P3950-08	7,821.00

# Series 1200 SSC Backflush Recycle System

## SSC Backflush Recycle System

The Flow Guard Backflush Recycle System is designed to eliminate the wasteful and problematic issue of backflush water disposal. This system captures backflush water, filters it and returns it to the inlet of your media tank system. Standard unit comes assembled, complete with 15hp Booster Pump (250 gpm at 60 psi) ready for easy installation

Also available with 20 hp high pressure or high flow pump.



Please contact your nearest Fresno Valves & Castings location for current quotation for any of your Flow-Guard media filter needs.

Tank Size	Inlet/Outlet	Skid Size	Part Number
550 Gallons	6" / 4"	96"x 42"	F012-C1-072ES

# Series 1200 SSC Gravity Screen Filters

## Self Cleaning Gravity Screen Filters



The SSC Gravity Screen Filter is designed for use on gravity flow water systems and can be used as either a pre-filter or the primary filter to remove large volumes of debris without wasting valuable backwash water. The SSC Filter is effective in low volume irrigation as well as various industrial applications

Please contact your nearest Fresno Valves & Castings location for current quotation for any of your Flow-Guard media filter needs.

Model No.	GPM	Inlet/Outlet	Part Number
SSC 48	350	6"	F012-A1-048NE
SSC 72	550	8"	F012-A1-072NE
SSC 96	750	10"	F012-A1-096NE
SSC 48-100	350	6" x 4"	F012-B1-048NE
SSC 72-100	550	8" x 6"	F012-B1-072NE
SSC 96-100	750	10" x 8"	F012-B1-096NE
SSC 272-100	1000	10" x 8"	F012-B2-072NE
SSC 296-100	1400	12" x 10"	F012-B2-096NE
SSC 2144-100	2000	12" x 12"	F012-B2-144NE

## Series 1200 Parts and Accessories

### Miscellaneous SSC Screen Filter Parts

#### Float Tank & Linkage Assembly

Part	Part Number	Price
Float & Linkage Assembly for 2"-6"	F012-F0719	931.00
Float & Linkage Assembly for 8"-12"	F012-F0720	1,035.00
Float Tank w/4" Switch Tube	F012-F0725	1,263.00
Float Switch Assembly	F012-F0800	200.00

#### Float Control Kit

Size	Part Number	Price
4"-6"	F012-F1-26	2,314.00
8"-12"	F012-F1-812	2,424.00

#### 1-1/2" Ball Valve, Brass

Part	Part Number	Price
1-1/2" Ball Valve, Brass	F094-120-14	36.00

#### Free Moving Butterfly Valve

Size	Part Number	Price
4"	F085-040-01	188.00
6"	F085-060-01	247.00
8"	F085-080-01	368.00
10"	F085-100-01	504.00
12"	F085-120-01	714.00

#### 2" Green Plastic Suction Hose/per ft.

Part	Part Number	Price
2" Green Plastic Suction Hose/per ft.	F012-0601	10.00

#### Float with rod

Part	Part Number	Price
Float with rod	F012-F0750	202.00

#### 2" King Nipple

Part	Part Number	Price
2" King Nipple	F012-0305	15.00

#### Line Strainer Replacement Screen, 80 Mesh

Part	Part Number	Price
Line Strainer Replacement Screen, 80 Mesh	F012-0251	78.00

#### Float Switch (only)

Part	Part Number	Price
Float Switch (only)	F012-1210	136.00

#### Venturi Fitting (only)

Part	Part Number	Price
Venturi Fitting (only)	F012-0304	9.00

#### Line Strainer, 1 - 1-1/2" Banjo

Part	Part Number	Price
Line Strainer, 1 - 1-1/2" Banjo	F012-0203	177.00

10 - Filters



# Series 1200 SSC Gravity Screen Filters

## Series 1200 Parts and Accessories

### Miscellaneous SSC Screen Filter Parts

#### Linkage Assembly



Part	Part Number	Price
Linkage Assembly 2"-6"	F012-F0729	702.00
Linkage Assembly 8"-12"	F012-F0730	810.00

#### Screen Assembly



Part	Part Number	Price
Screen Assembly, 36"x 22", 150 Mesh	F012-S36-150A	741.00
Screen Assembly, 48"x 22", 150 Mesh	F012-S48-150A	934.00
Screen Assembly, O/S, 36"x 24", 150 Mesh	F012-S36-150B	760.00
Screen Assembly, O/S, 48"x 24", 150 Mesh	F012-S48-150B	1,036.00

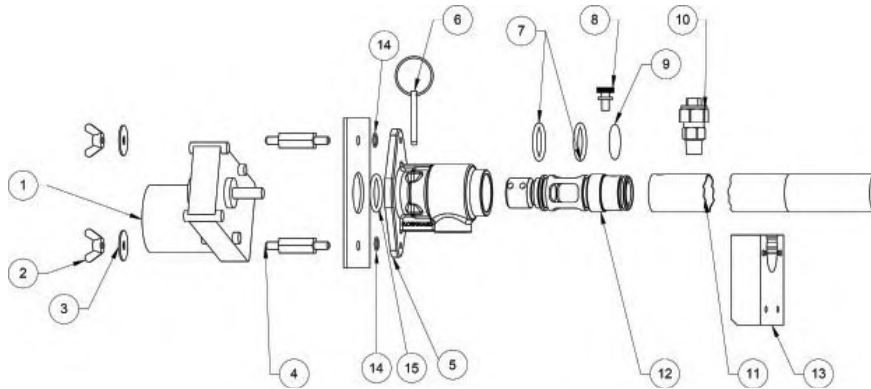
#### Rescreen



Part	Part Number	Price
Rescreen 36", Screen Assembly, 150 Mesh	F012-S36R150	322.00
Rescreen 48", Screen Assembly, 150 Mesh	F012-S48R150	398.00

#### Stainless Steel Screen Material, 150 Mesh/sq. ft.

Part	Part Number	Price
Stainless Steel Screen Material, 150 Mesh/sq. ft.	F012-0200	13.00



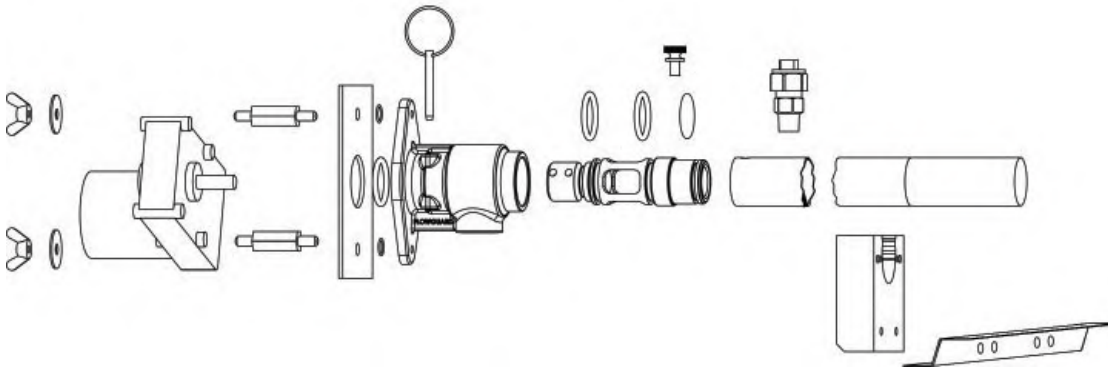
### SSC Electric Drive Wand Assembly Parts & Accessories

Item Number	Item	Part Number	Price
	Wand Assy. complete with nozzles (SSC 48/48-100)	F012-RE048AC	476.00
	Wand Assy. complete with nozzles (SSC 72/272-100)	F012-RE072AC	572.00
	Wand Assy. complete with nozzles (SSC 96/296-100)	F012-RE096AC	661.00
	Wand Assy. SS complete with nozzles (SSC 2144-100)	F012-RE144ACL	896.00
1	Electric drive motor	F012-RE-301	426.00
2	Wing nut, brass (each 2 req.)	F902-518	1.00
3	Washer (each 2 req.)	F922-112	.50
4	Transmission retainer bolt (each 2 req.)	F012-0555	14.00
5	Transmission body housing	F012-0510	83.00
6	Drive rotor retainer pin	F012-0580	7.25
7	O-ring, Buna (each 2 req.)	F943-214	.75
8	Wand retainer thumb screw	F012-0540	3.75
9	O-ring, Buna (each 1 req.)	F943-119	.50
10	Nozzle assy. with Red Tip (3 pc)	F012-XK010	6.25
11	Wand tube less nozzles (SSC 48/48-100)	F012-RE048ALN	370.00
11	Wand tube less nozzles (SSC 72/272-100)	F012-RE072ALN	418.00
11	Wand tube less nozzles (SSC 96/296-100)	F012-RE096ALN	444.00
11	Wand tube SS less nozzles (SSC 2144-100)	F012-RE144ALL	611.00
12	Drive rotor with o-rings	F012-0530C	55.00
12	Drive rotor with o-rings for SS Wand	F012-0531C	55.00
13	Wand bearing	F012-WB210	30.00
	Electric drive power supply, 24VDC	F012-0385N	857.00
	Main cable	F012-0385NC1	185.00
	Extension cable	F012-0385NC2	125.00
14	O-Ring	F943-012	.50
15	O-Ring	F943-031	.50



# Series 1200 SSC Gravity Screen Filters

## Series 1200 Retro-fit Kits

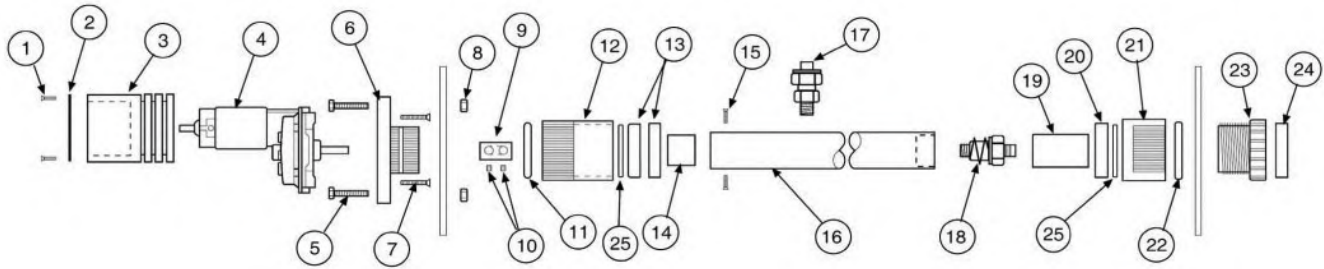


### SSC Electric Drive Wand Assembly Retrofit Parts

Item	Part Number	Price
Retrofit Kit (SSC 48/48-100 AL Wands)	F012-WR1048NE	3,555.00
Retrofit Kit (SSC 48/48-100 SS Wands)	F012-WR1048NEL	3,803.00
Retrofit Kit (SSC 72/72-100 AL Wands)	F012-WR1072NE	3,711.00
Retrofit Kit (SSC 72/72-100 SS Wands)	F012-WR1072NEL	3,972.00
Retrofit Kit (SSC 96/96-100 AL Wands)	F012-WR1096NE	3,934.00
Retrofit Kit (SSC 96/96-100 SS Wands)	F012-WR1096NEL	4,292.00
Retrofit Kit (SSC 272/272-100 AL Wands)	F012-WR2072NE	7,043.00
Retrofit Kit (SSC 272/272-100 SS Wands)	F012-WR2072NEL	7,536.00
Retrofit Kit (SSC 296/296-100 AL Wands)	F012-WR2096NE	7,720.00
Retrofit Kit (SSC 296/296-100 SS Wands)	F012-WR2096NEL	8,398.00
Retrofit Kit (SSC 2144-100 SS Wands)	F012-WR2144NEL	8,979.00

# Series 1200 SSC Gravity Screen Filters

## Series 1200 Parts and Accessories



## SSC Electric Drive Wand Assembly - Old Style

Item Number	Description	Part Number	Price
1-4	Drive Motor w/Housing	F012-RA-200	432.00
1-10	Electric Drive Motor Assembly Complete	F012-RE-100	522.00
1	Stainless Steel Socket Head Cap Screw	F012-0133	.50
2	Motor Housing Cover	F012-RA-054	6.00
3	Motor Housing	F012-RA-055	125.00
4	Drive Motor	F012-0377	311.00
5	1/4" Stainless Steel Hex Bolt	F920-110	1.25
6	Gear Motor Adaptor	F012-RA-056	69.00
7	Stainless Steel Flat Head Machine Screw	F964-18A	.50
8	1/4" Stainless Steel Hex Nut	F922-010	.75
9	5/8" Square Drive Adaptor	F012-RA-057	16.00
10	Stainless Steel Set Screw (2 Req.)	F905-232	.50
11	O-Ring	F943-327	.80
12	Seal Assembly Adaptor	F012-RA-058	13.00
13	National Seal (2 ea.)	F012-0400	8.75
14	Rubber Drive Bushing	F012-0387	5.50
15	#4 x 3/8" Stainless Steel Sheet Metal Screw (2 Req.)	F012-0135	.25
16	Wand Tube, 48"	F012-RE048SA	497.00
16	Wand Tube, 72"	F012-RE072SA	548.00
16	Wand Tube, 96"	F012-RE096SA	618.00
16	Wand Tube, 144"	F012-RE144SA	782.00
17	Spray Nozzle (White) 3-pc (ea.) Std.	F012-XK010	6.25
17	Sray Tip (White)	F012-0309	2.25
17	Nozzle Cap	F012-0307	2.25
17	Nozzle Body	F012-0308	2.25
15-20	Wand Assembly (less drive) 48"	F012-RE048AA	677.00
15-20	Wand Assembly (less drive) 72"	F012-RE072AA	828.00
15-20	Wand Assembly (less drive) 96"	F012-RE096AA	937.00
15-20	Wand Assembly (less drive) 144"	F012-RE144AA	1,098.00
18	Water Union Assembly	F012-RE-105	45.00
19	PVC Nipple (internal thread)	F012-RA-090	26.00
20	National Seal	F012-0400	8.75
21	Female Drive Union Seal Bushing	F012-RA-091	8.00
22	O-Ring	F943-327	.80
23	Male Drive Union Seal Bushing	F012-RA-092	26.00
24	National Seal	F012-0400	8.75
25	UHMW Washer w/item #12 & #21	F012-RA-093	14.00

# Series 1300 *Stainless Steel Pressurized Screen Filters*



The Series 1300 Pressurized Screen Filters deliver excellent filtration of inorganic contaminants found in irrigation water. Two models provide flow ranges from 100 to 2400 GPM, and filtration grades from 50 to 200 mesh. All filters are manufactured from durable 304 stainless steel.

Please contact your nearest Fresno Valves & Castings location for current quotation for any of your stainless steel pressurized screen filter needs.

## SPS Pressurized Screen Filters

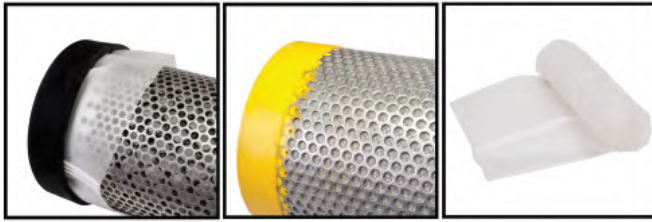
Model No.	GPM	Part Number
SPS 6-1	100	F013-0601A
SPS 6-2	200	F013-0602A
SPS 6-3	300	F013-0603A
SPS 8-4	400	F013-0804A
SPS 8E-4	400	F013-0804B
SPS 10-8	800	F013-1008A
SPS 10-8F	800	F013-1008AF
SPS 10-16	1600	F013-1016A
SPS 10-24	2400	F013-1024A
SPS 10E-8	800	F013-1008B
SPS 10E-16	1600	F013-1016B
SPS 10E-24	2400	F013-1024B
SPS 10E-16I	1600	F013-1016C
SPS 10E-24I	2400	F013-1024C

## SYS Pressurized Screen Filters

Model No.	GPM	Part Number
SYS 6-1	100	F014-0601A
SYS 6-2	200	F014-0602A
SYS 6-3	300	F014-0603A
SYS 10-8	800	F014-1008A
SYS 10-12	1200	F014-1012A

# Series 1300 Stainless Steel Pressurized Screen Filters

## SPS/SYS Screens



## SPS/SYS Parts



10 - Filters

Model No.	Mesh	Poly Sreen Assembly	SS Screen Assembly	Poly Sock Only
SPS 6-1	50	274.00 F013-S06105	456.00 F013-S06105B	N/A
SPS 6-1	80	274.00 F013-S06108	456.00 F013-S06108B	78.00 F013-S06108P
SPS 6-1	150	274.00 F013-S06115	456.00 F013-S06115B	78.00 F013-S06115P
SPS 6-1	200	N/A	456.00 F013-S06120B	N/A
SPS 6-2	50	366.00 F013-S06205	671.00 F013-S06205B	103.00 F013-S06205P
SPS 6-2	80	366.00 F013-S06208	671.00 F013-S06208B	103.00 F013-S06208P
SPS 6-2	150	366.00 F013-S06215	671.00 F013-S06215B	103.00 F013-S06215P
SPS 6-2	200	N/A	671.00 F013-S06220B	N/A
SPS 6-3	50	448.00 F013-S06305	762.00 F013-S06305B	110.00 F013-S06305P
SPS 6-3	80	448.00 F013-S06308	762.00 F013-S06308B	110.00 F013-S06308P
SPS 6-3	150	448.00 F013-S06315	762.00 F013-S06315B	110.00 F013-S06315P
SPS 6-3	200	N/A	762.00 F013-S06320B	N/A
SPS 8 (SPS only)	80	496.00 F013-S08080	885.00 F013-S08080B	118.00 F013-S08080P
SPS 8 (SPS only)	150	496.00 F013-S08150	885.00 F013-S08150B	118.00 F013-S08150P
SPS 8 (SPS only)	200	N/A	885.00 F013-S08200B	N/A
SPS 10	50	774.00 F013-S10050	1,311.00 F013-S10050B	135.00 F013-S10050P
SPS 10	80	774.00 F013-S10080	1,311.00 F013-S10080B	135.00 F013-S10080P
SPS 10	150	774.00 F013-S10150	1,311.00 F013-S10150B	135.00 F013-S10150P
SPS 10	200	N/A	1,311.00 F013-S10200B	N/A

Part Description	SPS/SYS 6	SPS 8	SPS/SYS 10
Cover w/Gasket	90.00 F013-06-040	168.00 F013-08-040	189.00 F013-10-041
Cover Gasket	16.00 F013-0660	18.00 F011-90726	18.00 F013-1060
Cover Bolts		2.75 F920-514	4.50 F920-730
Cover Nuts		2.50 F902-650	11.00 F013-10225
Cover Arch	56.00 F013-06-045		
Tee Screw Assembly	48.00 F013-06-050		
U Channel Gasket	13.00 F013-90106	17.00 F013-90100	21.00 F013-90110
Insulator SPS/SYS 6-1	4.50 F013-S061-10	15.00 F013-S08-10	22.00 F013-S10-10
Insulator SPS 6-2	5.50 F013-S062-10		
Insulator SPS 6-3	10.00 F013-S063-10		
Core Tube	135.00 F013-S061-20	245.00 F013-S08-20	472.00 F013-S10-20
Core Tube	199.00 F013-S062-20		
Core Tube	272.00 F013-S063-20		

# Series 1500 Galvanized Screen Filters



The Series 1500 Pressurized Screen Filters deliver excellent filtration of inorganic contaminants found in irrigation water. Three models provide flow ranges of 700, 1200 or 1750 GPM, and filtration screen options 1/16", 3/32" or 1/8". Available with Victaulic, Flanged, Plain End or Ringlock ends. These versatile filters can be used as pre-filters or primary filters, depending on application and water quality. Our double-sealed design provides a superior seal between the screen and filter body.

10 - Filters

## Series 1500 Galvanized Screen Filters

### 6"/700 GPM with 1/16 Screen

Inlet	Outlet	Part Number	Price
Flange	Flange	P3831-02	2,094.00
Plain End	Plain End	P3831-03	1,840.00

### 6"/700 GPM with 3/32 Screen

Inlet	Outlet	Part Number	Price
Flange	Flange	P3831-12	1,928.00
Plain End	Plain End	P3831-13	1,739.00

### 8"/1200 GPM with 1/16 Screen

Inlet	Outlet	Part Number	Price
Victaulic	Victaulic	P3821-01	3,164.00
Flange	Flange	P3821-02	2,932.00
Plain End	Plain End	P3821-03	2,714.00
Ringlock Male	Ringlock Bell	P3821-04	3,296.00

### 8"/1200 GPM with 3/32 Screen

Inlet	Outlet	Part Number	Price
Victaulic	Victaulic	P3821-21	2,946.00
Flange	Flange	P3821-22	2,757.00
Plain End	Plain End	P3821-23	2,582.00
Ringlock Male	Ringlock Bell	P3821-24	3,092.00

### 8"/1750 GPM with 1/16 Screen

Inlet	Outlet	Part Number	Price
Victaulic	Victaulic	P3850-01	4,882.00
Flange	Flange	P3850-02	4,983.00
Plain End	Plain End	P3850-03	4,836.00
Ringlock Male	Ringlock Bell	P3850-04	5,127.00

### 8"/1750 GPM with 3/32 Screen

Inlet	Outlet	Part Number	Price
Victaulic	Victaulic	P3850-11	4,459.00
Flange	Flange	P3850-12	4,335.00
Plain End	Plain End	P3850-13	4,351.00
Ringlock Male	Ringlock Bell	P3850-14	4,259.00

## Filter Foot Saddle Kit

Part	Part Number	Price
Filter Foot Saddle Kit	P9093-02	446.00



Available Epoxy Coated

# Series 1500 Galvanized Screen Filters

## Parts

### Replacement Screens Assemblies



Description	Type	Part Number	Price
1200 GPM - 1/16" Screen	Plain End	P3823-52	1,382.00
1200 GPM - 3/32" Screen	Plain End	P3823-51	1,061.00
1750 GPM - 1/16" Screen	Plain End	P3823-56	2,233.00
1750 GPM - 3/32" Screen	Plain End	P3823-55	1,638.00



Description	Type	Part Number	Price
1200 GPM - 1/16" Screen	Double Seal	P3822-52	1,320.00
1200 GPM - 3/32" Screen	Double Seal	P3822-51	1,056.00
1750 GPM - 1/16" Screen	Double Seal	P3822-56	2,197.00
1750 GPM - 3/32" Screen	Double Seal	P3822-55	1,783.00

10 - Filters

## Parts



Description	Type	Part Number	Price
1/16" Filter Screen*	Plain End	P3822-32	988.00
3/32" Filter Screen*	Plain End	P3822-31	658.00
1/16" Filter Screen*	Double Seal	P3902-40	822.00
3/32" Filter Screen*	Double Seal	P3902-41	555.00
Ring Lock Clamp		P2123-05	38.00
Filter Plug 1200 GPM	Plain End	P3824-01	386.00
Filter Plug 1750 GPM	Plain End	P3824-21	285.00
Filter Plug 60" & 132"	Double Seal	P3902-52	325.00

\*Note: 1750 gpm filters use two (2) screens each.



# J-95 Micro Sprayer Assemblies



Putting water precisely where you need it, Fresno Micro Sprayers provide a wide range of flow rates and distribution patterns well suited for virtually any field application.

Includes assembled frame, nozzle, tube and coupler.

NOTE: All J-95 Micro Sprayer prices reflect price per unit, based on packages of 100 as a minimum order.

Stake is a separate order item.



## Complete Micro Sprayer Assembly w/24" tube

Size & Color	"A" Pattern	"J" Pattern	"B" Pattern	"N" Pattern	"S" Pattern	"R" Pattern	"H" Pattern	Price
30 Black	F092-A302400C	F092-J302400C	F092-B302400C	F092-N302400C	F092-S302400C	F092-R302400C	F092-H302400C	134.00
35 Orange	F092-A352400C	F092-J352400C	F092-B352400C	F092-N352400C	F092-S352400C	F092-R352400C	F092-H352400C	134.00
40 Blue	F092-A402400C	F092-J402400C	F092-B402400C	F092-N402400C	F092-S402400C	F092-R402400C	F092-H402400C	134.00
45 Violet	F092-A452400C	F092-J452400C	F092-B452400C	F092-N452400C	F092-S452400C	F092-R452400C	F092-H452400C	134.00
50 Green	F092-A502400C	F092-J502400C	F092-B502400C	F092-N502400C	F092-S502400C	F092-R502400C	F092-H502400C	134.00
55 Yellow	F092-A552400C	F092-J552400C	F092-B552400C	F092-N552400C	F092-S552400C	F092-R552400C	F092-H552400C	134.00
60 Red	F092-A602400C	F092-J602400C	F092-B602400C	F092-N602400C	F092-S602400C	F092-R602400C	F092-H602400C	134.00

## Complete Micro Sprayer Assembly w/36" tube

Size & Color	"A" Pattern	"J" Pattern	"B" Pattern	"N" Pattern	"S" Pattern	"R" Pattern	"H" Pattern	Price
30 Black	F092-A303600C	F092-J303600C	F092-B303600C	F092-N303600C	F092-S303600C	F092-R303600C	F092-H303600C	139.00
35 Orange	F092-A353600C	F092-J353600C	F092-B353600C	F092-N353600C	F092-S353600C	F092-R353600C	F092-H353600C	139.00
40 Blue	F092-A403600C	F092-J403600C	F092-B403600C	F092-N403600C	F092-S403600C	F092-R403600C	F092-H403600C	139.00
45 Violet	F092-A453600C	F092-J453600C	F092-B453600C	F092-N453600C	F092-S453600C	F092-R453600C	F092-H453600C	139.00
50 Green	F092-A503600C	F092-J503600C	F092-B503600C	F092-N503600C	F092-S503600C	F092-R503600C	F092-H503600C	139.00
55 Yellow	F092-A553600C	F092-J553600C	F092-B553600C	F092-N553600C	F092-S553600C	F092-R553600C	F092-H553600C	139.00
60 Red	F092-A603600C	F092-J603600C	F092-B603600C	F092-N603600C	F092-S603600C	F092-R603600C	F092-H603600C	139.00

# J-95 Micro Sprayers



## Nozzle & Frame Only

Size & Color	"A" Pattern	"J" Pattern	"B" Pattern	"N" Pattern	"S" Pattern	"R" Pattern	"H" Pattern	Price
30 Black	F092-95-A30C	F092-95-J30C	F092-95-B30C	F092-95-N30C	F092-95-S30C	F092-95-R30C	F092-95-H30C	53.00
35 Orange	F092-95-A35C	F092-95-J35C	F092-95-B35C	F092-95-N35C	F092-95-S35C	F092-95-R35C	F092-95-H35C	53.00
40 Blue	F092-95-A40C	F092-95-J40C	F092-95-B40C	F092-95-N40C	F092-95-S40C	F092-95-R40C	F092-95-H40C	53.00
45 Violet	F092-95-A45C	F092-95-J45C	F092-95-B45C	F092-95-N45C	F092-95-S45C	F092-95-R45C	F092-95-H45C	53.00
50 Green	F092-95-A50C	F092-95-J50C	F092-95-B50C	F092-95-N50C	F092-95-S50C	F092-95-R50C	F092-95-H50C	53.00
55 Yellow	F092-95-A55C	F092-95-J55C	F092-95-B55C	F092-95-N55C	F092-95-S55C	F092-95-R55C	F092-95-H55C	53.00
60 Red	F092-95-A60C	F092-95-J60C	F092-95-B60C	F092-95-N60C	F092-95-S60C	F092-95-R60C	F092-95-H60C	53.00

Note: All J-95 Micro Sprayer prices reflect price per unit, based on packages of 100 as a minimum order.

## Nozzle only (pkgs. of 1,000)



Size	Part Number	Price
30 Black	F092-95N30	280.00
35 Orange	F092-95N35	280.00
40 Blue	F092-95N40	280.00
45 Violet	F092-95N45	280.00
50 Green	F092-95N50	280.00
55 Yellow	F092-95N55	280.00
60 Red	F092-95N60	280.00

## Frame only (pkgs. of 1,000)



Pattern	Part Number	Price
A	F092-95P-A	448.00
J	F092-95P-J	448.00
B	F092-95P-B	448.00
N	F092-95P-N	448.00
S	F092-95P-S	448.00
R	F092-95P-R	448.00
H	F092-95P-H	448.00

## Versa Stake



Part Number	Price
F092-5000	75.00

## Tube and Coupler Assembly



Size	Part Number	Price
24"	F092-99T24C	39.00
30"	F092-99T30C	40.00
36"	F092-99T36C	43.00
72"	F092-99T72C	53.00

# PIERCE™

## FITTINGS

# Universal Fittings



## Lateral Coupler Set (Set Tee PO x UBA x FT)

Handline Press in coupler offers either 3/4" or 1" sprinkler outlet. Galvanized unit complete with band assembly and roundback gasket.

Press On	Universal Bell (w/apron)	Tee (female thread)	Part Number	Price
2"	2"	3/4"	P1016-81	49.00
3"	3"	3/4"	P1898-81	43.00
4"	4"	3/4"	P1016-83	65.00
2"	2"	1"	P1016-86	54.00
3"	3"	1"	P1898-82	46.00
4"	4"	1"	P1016-88	67.00
3"	3"	-	P3280-92	44.00

## Lateral Coupler Tee (Tee PO x UBA x FT)

Handline Press in coupler offers either 3/4" or 1" sprinkler outlet. Complete with roundback gasket. Band assembly not included.



Press On	Universal Bell (w/apron)	Tee (female thread)	Part Number	Price
2"	2"	3/4"	P1016-61	38.00
3"	3"	3/4"	P1898-61	32.00
4"	4"	3/4"	P1016-63	47.00
2"	2"	1"	P1016-66	43.00
3"	3"	1"	P1898-62	35.00
4"	4"	1"	P1016-68	49.00
3"	3"	-	P3280-72	33.00

## Mainline Coupler Set (Set Connector PO x UB)

Mainline Coupler Set, press into aluminum pipe. Used on supply line, no outlets. Complete with band assembly and roundback gasket.



Press On	Universal Bell	Part Number	Price
3"	3"	P1014-92	39.00
4"	4"	P1014-93	54.00
6"	6"	P1014-95	80.00

## Mainline Coupler (Connector PO x UB)

Mainline Coupler, press into aluminum supply pipe. Complete with roundback gasket. Band assembly not included.



Press On	Universal Bell	Part Number	Price
3"	3"	P1014-72	28.00
4"	4"	P1014-73	36.00
6"	6"	P1014-75	55.00

### Abbreviations

FT – Female Thread  
 PO – Press-on  
 UB – Universal Bell  
 UBA – Universal Bell w/Apron

# Universal Fittings

## Mainline to Lateral Set (Set Tee PO x UB x RV)

Mainline Valve Tee Set, press into aluminum pipe. Has valve stub for valve opener attachment. Used on mainline supply pipe. Complete with band assembly and roundback gasket.

Press On	Universal Bell	Ringlock Valve Stub	Part Number	Price
4"	4"	3"	P1055-82	171.00
4"	4"	4"	P1056-81	177.00
6"	6"	4"	P1056-83	205.00



## Mainline to Lateral (Tee PO x UB x RV)

Mainline Valve Tee, comes with V-Stub for valve opener attachment. Used on aluminum pipe for water supply. Press into pipe comes with roundback gasket. Band assembly not included.

Press On	Universal Bell	Ringlock Valve Stub	Part Number	Price
4"	4"	3"	P1055-62	153.00
4"	4"	4"	P1056-61	159.00
6"	6"	4"	P1056-63	180.00



## Independent Main to Lateral Valve (Tee UM x UB x RV)

Independent Valve Tee allows valve stub to be located where needed. Complete with roundback gasket.

Press On	Universal Bell	Ringlock Valve Stub	Part Number	Price
4"	4"	3"	P1072-62	157.00
4"	4"	4"	P1073-61	180.00
6"	6"	4"	P1073-63	229.00



## Line Reducer (Connector UM x UB ASM)

Latch Type Line Reducer offers reduction to allow change in pipe size. Roundback gasket included.

Universal (Male End)	Universal Bell	Part Number	Price
3"	2"	P1085-61	65.00
4"	3"	P1085-63	85.00
6"	4"	P1085-68	123.00



### Abbreviations

PO – Press-on  
 UB – Universal Bell  
 UM – Universal Male End  
 RV – Ringlock Valves Stub  
 ASM – Assembly

# Universal Fittings



## End Tee (Tee UB x UB x UM)

Latch Type End Tee installs at end of main supply pipe to enable additional lines to be run at 90° angles to main. Roundback gasket included.

Universal Bell	Universal Bell	Universal (Male End)	Part Number	Price
2"	2"	2"	P1079-61	125.00
3"	3"	3"	P1077-61	130.00
4"	4"	4"	P1077-62	159.00
6"	6"	6"	P1078-62	242.00



## Line Tee (Tee UM x UB x UB)

Latch Type Line Tee offers a 90° branch off the main supply line in either direction. Roundback gaskets included.

Universal (Male End)	Universal Bell	Universal Bell	Part Number	Price
2"	2"	2"	P1092-61	128.00
3"	3"	2"	P1091-61	132.00
3"	3"	3"	P1091-62	135.00
4"	4"	3"	P1090-62	161.00
4"	4"	4"	P1090-63	171.00
6"	6"	6"	P1089-64	257.00



## 90° Elbow (ELL 90 UM x UB)

Latch Type 90° Elbow allows a 90° change in direction from main supply line. Roundback gasket included.

Universal (Male End)	Universal Bell	Part Number	Price
2"	2"	P1103-61	90.00
3"	3"	P1104-61	101.00
4"	4"	P1105-61	143.00
6"	6"	P1107-61	230.00



## 45° Elbow (ELL 45 UM x UB)

Latch Type 45° Elbow allows a 45° change in direction from main supply line. Roundback gasket included.

Universal (Male End)	Universal Bell	Part Number	Price
2"	2"	P1121-61	90.00
3"	3"	P1122-61	102.00
4"	4"	P1123-61	141.00
6"	6"	P1125-61	210.00

### Abbreviations

UB – Universal Bell  
UM – Universal Male End



# Universal Accessories

## Hose to Coupler (Connector HM x UB)

Female Hose Fitting designed to enable customers to fabricate rubber hose assemblies. Roundback gasket included.

Hose (Male End)	Universal Bell	Part Number	Price
2" OD	2"	P1788-61	44.00
3" OD	3"	P1788-62	45.00
4" OD	4"	P1788-63	53.00
5" OD	5"	P1788-64	70.00
6" OD	6"	P1788-65	80.00



## Hose to Male End (Connector UM x HM)

Male Hose End designed to enable customers to fabricate rubber hose assemblies. Multiple ring hose ends available for high pressure.

Hose (Male End)	Universal Male End	Part Number	Price
2" OD	2"	P1791-01	50.00
3" OD	3"	P1791-02	53.00
4" OD	4"	P1791-04	57.00
5" OD	5"	P1791-06	82.00
6" OD	6"	P1791-07	92.00



## Discharge Adapter (Connector MT x UB G)

Pump Discharge Adapter with roundback gasket.

MIPT	Universal Bell	Part Number	Price
2"	2"	P1739-63	35.00
2"	3"	P1740-63	53.00
3"	3"	P1739-65	54.00
3"	4"	P1740-67	71.00



## Steel Repair Coupler

Pipe repair coupler used to splice back together damaged aluminum pipe.

Size	Part Number	Price
3"	P1844-02	14.00
4"	P1844-03	27.00
5"	P1844-04	33.00
6"	P1844-05	38.00
8"	P1844-07	60.00
10"	P1844-08	77.00
12"	P1844-09	95.00



### Abbreviations

G – Galvanized  
 HM – Hose Male End  
 MT – Male Thread  
 UB – Universal Bell  
 UM – Universal Male End

# Universal Accessories

## Press-On Male End (Male End UNI PO ASM)

Press into aluminum pipe to form latch type male end.



Size	Part Number	Price
3"	P1042-01	32.00
4"	P1042-02	38.00
5"	P1042-03	53.00
6"	P1042-04	64.00

## Plug (UNI ASM)

Latch Type End Plug designed to terminate water flow in handline systems.



Size	Part Number	Price
2"	P1087-01	36.00
3"	P1087-02	43.00
4"	P1087-03	58.00
5"	P1087-04	69.00
6"	P1087-05	79.00

## Weld-On Starter Coupler (Bell WOP UNI)

Welds to steel pipe to form a connection to Latch type fittings. Roundback gasket included.



Size	Part Number	Price
3"	P1048-62	27.00
4"	P1048-63	32.00
5"	P1048-64	43.00
6"	P1048-65	48.00
8"	P1048-67	65.00

## Assembled Bands (ASM UNI)

Bolts to aluminum pipe form latch type connection.



Size	Part Number	Price
2"	P1034-01	11.00
3"	P1035-01	11.00
4"	P1036-81	18.00
5"	P1036-82	19.00
6"	P1036-83	25.00
8"	P1037-82	46.00

### Abbreviations

ASM – Assembly  
 PO – Press-on  
 UNI – Universal  
 WOP – Weld On Pipe

# Valve Openers

## Valve Opening Elbow Universal (VOE RL x UB ASM)

Clamps to Valve Stub, to allow water flow control in one direction. Latch type. Gaskets included.

Ringlock	Universal Bell	Outlet	Part Number	Price
3"	2"	-	P1694-61	158.00
3"	3"	-	P1694-62	168.00
4"	3"	-	P1694-64	177.00
4"	4"	-	P1694-65	195.00
5"	4"	-	P1694-68	221.00
5"	5"	-	P1694-69	241.00
6"	4"	-	P1694-72	229.00
6"	5"	-	P1694-73	254.00
6"	6"	-	P1694-74	262.00
8"	6"	-	P1699-63	456.00
8"	8"	-	P1699-65	481.00
10"	8"	-	P0037-47	632.00
10"	10"	-	P0052-57	649.00
4"	3"	3/4"	P1698-64	192.00
4"	4"	3/4"	P1698-65	208.00



## Valve Opening Tee Universal (VOT RL x UB ASM)

Clamps to Valve-Stub, to allow water flow in two directions. Latch type. Includes gaskets.

Ringlock	Universal Bell	Universal Bell	Outlet	Part Number	Price
4"	3"	3"	-	P1711-64	219.00
4"	4"	4"	-	P1711-65	244.00
6"	4"	4"	-	P1711-72	288.00
6"	6"	6"	-	P1711-74	347.00
8"	6"	6"	-	P1713-63	481.00
8"	8"	8"	-	P1712-76	557.00
4"	3"	3"	3/4"	P3113-64	252.00
4"	4"	4"	3/4"	P3113-65	267.00



## Valve Opening Elbow Ringlock (VOE RL x RB ASM)

Clamps to Valve Stub, to allow water flow control in one direction. Ring-Lock type. Includes gaskets.

Ringlock	Ringlock Bell	Part Number	Price
4"	4"	P1716-65	183.00
6"	4"	P1716-72	226.00
6"	6"	P1716-74	256.00
8"	6"	P1715-63	432.00
8"	8"	P1715-65	460.00
10"	10"	P3619-61	616.00



## Valve Opening Elbow Universal (VOE RL x UB-RL ASM)

Clamps to Valve Stub, to allow water flow control in one direction. Designed for latch type and ring-lock type. Includes Gasket.

Ringlock	Universal Bell	Part Number	Price
4"	3"	P0111-92	191.00
4"	4"	P0009-04	206.00
6"	6"	P0034-88	288.00
8"	8"	P0004-54	506.00
10"	8"	P0131-22	533.00
10"	10"	P0131-21	570.00



### Abbreviations

ASM – Assembly  
 RL – Ringlock  
 VOE – Valve Opening Elbow  
 RB – Ringlock Bell  
 UB – Universal Bell  
 VOT – Valve Opening Tee

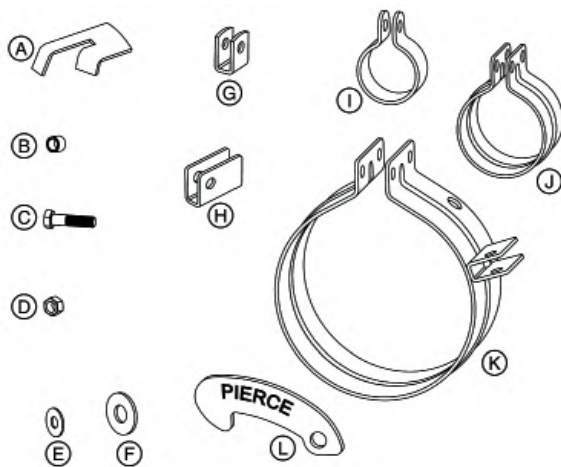
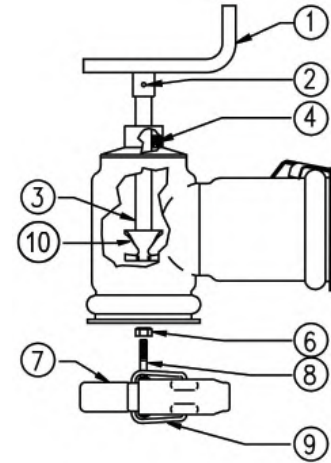


# Universal Parts

## Valve Opener Parts

Valve Opener repair parts.

Part	Fig No.	Part Number	Price
Handle with collar, 3" to 6"	1	P1681-01	20.00
Handle with collar, 8"	1	P1174-01	26.00
Pin, Roll (Handle) 3" to 6"	2	P2107-06	1.75
Pin, Roll (Handle) 8"	2	P2107-11	1.75
Stem with Solid Yoke, 3/4" 3" to 4"	3*	P1191-01	18.00
Stem with Solid Yoke, 3/4" 5" to 6"	3*	P1191-02	20.00
Stem 1 x 16 VOE 8 + 10	3*	P1683-01	60.00
Gasket, Chevron, Rubber 3" to 6"	4	P2100-01	3.00
Gasket, Chevron, Rubber 8"	4	P2101-01	2.75
1/4" Lock Nut	6	P2031-02	.75
Clamp Lock Ring 3"	7	P1679-01	29.00
Clamp Lock Ring 4"	7	P1679-02	30.00
Clamp Lock Ring 5"	7	P1679-03	36.00
Clamp Lock Ring 6"	7	P1679-04	34.00
Clamp Lock Ring 8"	7	P1679-05	43.00
Clamp Lock Bolt 1/4" x 3-1/2"	8	P2018-10	1.50
Clamp Lock Ring Bail 3" to 8"	9	P2125-41	3.00
3 - 6 VOE Stem Yoke (clutch)	10	YFV090-02503C	16.00
VOE Stem Yoke (clutch)	8- 10	F090-02508C	27.00



## Miscellaneous Parts

Band Components.

Part	Letter	Part Number	Price
Catch Universal, 2" to 4"	A	P1012-01	3.00
Catch Universal, 5" to 8"	A	P1012-02	4.00
Ferrule Aluminum	B	P2028-01	1.50
Bolt, 3/8" - 1-1/2"	C	P2020-05	1.50
Nut, 3/8"	D	P2034-07	.75
Washer, 3/8"	E	P2042-08	.75
Washer, 9/16"	F	P2042-11	.75
"U" Clevis 1" x 1 Hole	G	P1027-01	4.00
"U" Clevis 2" x 1 Hole	H	P1028-01	5.50
Band, Galvanized 2"	I	P1021-01	4.50
Band, Galvanized 3"	J	P1022-01	6.50
Band, Galvanized 4"	J	P1023-01	8.00
Band, Galvanized 5"	J	P1023-02	11.00
Band, Galvanized 6"	J	P1024-01	17.00
Band, Galvanized 8"	K	P1026-02	37.00
Hook Universal	L	P1030-01	4.50

# Butterfly Line Valves

## Butterfly Line Valve Universal (Valve BF UM x UB ASM)

Latch type valve used to open or close water flow in a piping system. Includes roundback gasket.



Size	Part Number	Price
4"	P1812-61	290.00
5"	P1813-61	318.00
6"	P1814-61	374.00
8"	P1815-61	506.00
10"	P1816-61	649.00

## Butterfly Line Valve Ringlock (Valve BF RM x RB ASM)

Ring-lock valve used to open or close water flow in a piping system. Includes roundback gasket.



Size	Part Number	Price
4"	P1821-61	262.00
5"	P1822-61	315.00
6"	P1823-61	349.00
8"	P1824-61	477.00
10"	P1825-61	687.00
12**	P1826-61	841.00

Note: \*12" utilizes a 10" body.

## Butterfly Line Valve Plain End (Valve BF PE x BF)

Weld in valve used to open or close water flow in a piping system. Plain ends with no extensions.



Size	Part Number	Price
4"	P1800-01	244.00
5"	P1801-01	265.00
6"	P1802-01	311.00
8"	P1803-01	379.00
10"	P1804-01	536.00



## Butterfly Valve Epoxy (Valve BF PB x PB ASM)

Used to control water flow in underground PVC piping system (IPS or PIP). Includes gaskets.

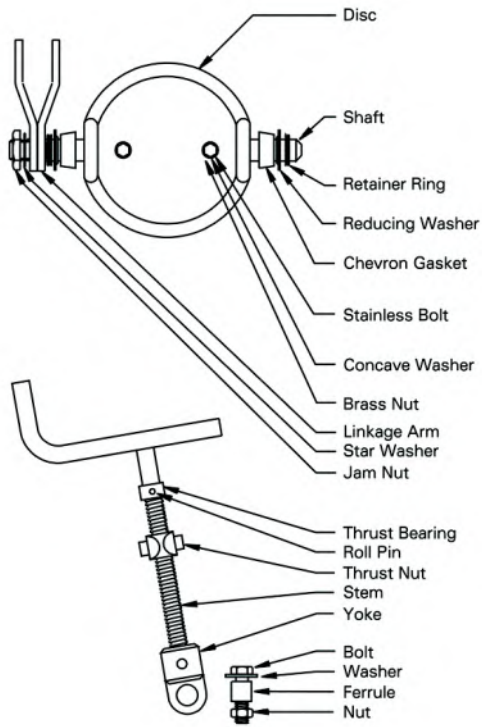
Size	Type	Part Number	Price
4"	IPS	P1184-01	299.00
6"	IPS	P1186-01	419.00
8"	IPS	P1187-01	504.00
10"	IPS	P1188-01	730.00
12**	IPS	P1189-01	841.00
4"	PIP	P1193-01	313.00
6"	PIP	P1194-01	395.00
8"	PIP	P1195-01	458.00
10"	PIP	P1196-01	687.00
12**	PIP	P1197-01	828.00

Note: \*12" utilizes a 10" body.

### Abbreviations

ASM – Assembly	PE – Plain End	UB – Universal Bell
BF – Butterfly	PIP – PIP Bell	UM – Universal Male End
IPS – IPS Bell	RB – Ringlock Bell	
PB – PIP Bell	RM – Ringlock Male End	

# Butterfly Line Valves



## Butterfly Line Valve Parts

Components for repair of Butterfly valve both galvanized and epoxy.

Part	Part Number	Price
4" Disc	P1164-01	26.00
5" Disc	P1165-01	31.00
6" Disc	P1166-01	50.00
8" Disc	P1167-01	69.00
10" Disc	P1168-01	174.00
4" Shaft	P1155-01	26.00
5" Shaft	P1156-01	29.00
6" Shaft	P1157-01	43.00
8" Shaft	P1158-01	45.00
10" Shaft	P1159-01	54.00
4" or 5" Retainer Ring	P2098-02	1.75
6", 8", 10" Retainer Ring	P2098-03	2.25
4" or 5" Reducer Washer	P2041-01	1.75
6", 8", 10" Reducer Washer	P2041-03	1.50
4" or 5" Chevron Gasket	P2100-01	3.00
6", 8", 10" Chevron Gasket	P2101-01	2.75
4" or 5" Stainless Bolt	P2073-02	1.75
6" or 8" Stainless Bolt	P2073-04	2.75
10" Stainless Bolt	P2073-05	2.75
4" or 5" Concave Washer	P2042-09	1.50
6" thru 10" Concave Washer	P2042-07	1.50
4" or 5" Brass Nut	P2033-01	1.00
6" or 8" Brass Nut	P2033-02	2.50
4" thru 10" Linkage Arm	P1152-01	3.25
4" thru 10" 3/4" Star Washer	P2046-04	1.00
4" thru 10" 3/4" Jam Nut	P2037-03	1.50
4" thru 10" Stem Assembly	P1171-01	74.00
4" thru 10" Thrust Bearing	P2106-01	3.00
4" thru 10" Roll Pin	P2107-05	2.00
4" thru 10" Thrust Nut	P2105-02	14.00
4" thru 10" Stem	P1171-02	72.00
4" thru 10" Yoke	P2104-01	14.00
4" thru 10" Bolt	P2020-04	.75
4" thru 10" Washer	P2042-08	.75
4" thru 10" Ferrule	P2029-01	2.50
4" thru 10" Nut	P2034-07	.75
4" Butterfly Repair Kit	P9101-01	114.00
5" Butterfly Repair Kit	P9101-02	117.00
6" Butterfly Repair Kit	P9101-03	160.00
8" Butterfly Repair Kit	P9101-04	172.00
10" Butterfly Repair Kit	P9101-05	290.00



# Chemigation & Check Valves

**Chemigation Valve Flanged w/inspection port & air vent**  
Chemigation and Back Flow prevention valve.



Size	Galvanized Part Number	Price	Epoxy Part Number	Price
3"	P1775-60	554.00	P1778-19	554.00
4"	P1775-61	554.00	P1778-20	554.00
6"	P1778-61	657.00	P1778-21	657.00
8"	P1778-62	761.00	P1778-22	761.00
10"	P1778-63	936.00	P1778-23	936.00
12"	P1778-64	1,543.00	P1778-24	1,543.00

**Chemigation Valve Wedge-Tite w/inspection port & air vent**  
Chemigation and Back Flow prevention valve with mechanical joint ends.



Size	Part Number	Price
6"	P3649-01	723.00
8"	P3650-01	895.00
10"	P3651-01	1,051.00

Note: Flange packs must be ordered separately.

**Check Valve Flanged (Valve Check IF X IF ASM)**  
Back Flow prevention valve.



Size	Galvanized Part Number	Price	Epoxy Part Number	Price
3"	P1753-05	314.00	--	--
4"	P1755-01	351.00	P1755-02	351.00
6"	P1753-01	409.00	P1753-11	409.00
8"	P1753-02	514.00	P1753-12	514.00
10"	P1753-03	618.00	P1753-13	618.00
12"	P1753-04	1,142.00	P1753-14	1,142.00

**Check Valve Plain End (Valve Check PE x PE ASM)**  
Back Flow prevention valve. Weld's into steel pipe line.



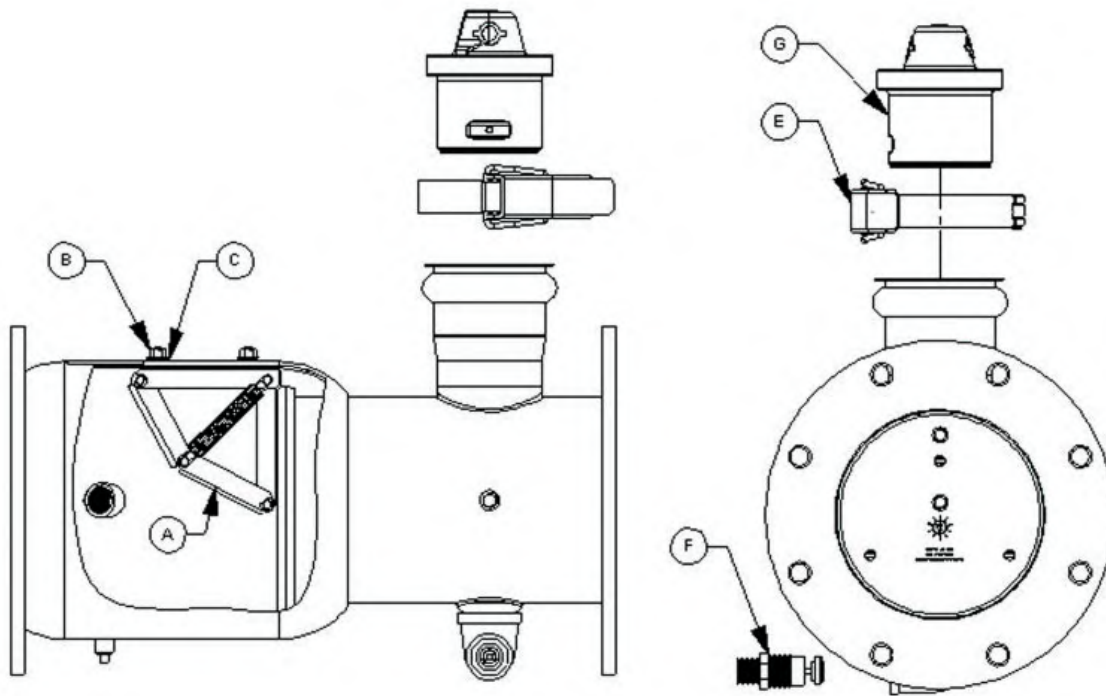
Size	Part Number	Price
3"	P1752-05	249.00
4"	P1754-01	262.00
6"	P1752-01	301.00
8"	P1752-02	378.00
10"	P1752-03	467.00
12"	P1752-04	776.00

#### Abbreviations

ASM – Assembly  
PE – Plain End

# Chemigation & Check Valves

## Chemigation Valve Parts



Chemigation and Check Valves repair parts.

Part	Letter	Part Number	Price
3" Stainless Steel Linkage Kit w/Disc	A	P9091-06	146.00
4" Stainless Steel Linkage Kit w/Disc	A	P9091-04	175.00
6" Stainless Steel Linkage Kit w/Disc	A	P9091-01	211.00
8" Stainless Steel Linkage Kit w/Disc	A	P9091-02	240.00
10" Stainless Steel Linkage Kit w/Disc	A	P9091-03	273.00
12" Stainless Steel Linkage Kit w/Disc	A	P9091-05	338.00
Nut lock UNI-TQ 3/8", all sizes (2 required)	B	P2031-05	1.00
3/8" Sealing Washer, all sizes (2 required)	C	P2043-03	.75
Washer, SAE Plt 3/8", all sizes (2 required)	C	P2042-08	.75
4" Ringlock Ring	E	P2123-08	19.00
Drain Valve Assembly PVC	F	P2381-04	7.25
2" Air Relief	G	F030-20006	54.00
6" Spring	*	P2136-01	4.75
8" Spring	*	P2136-02	8.50
10" Spring	*	P2136-03	13.00
Old Style Airvent Adapter	*	P1773-01	85.00

\* Not Shown

# Ringlock Fittings

## Mainline Coupler Set (Set Connector PO x RB)

Ringlock Mainline Coupler Set press into aluminum pipe. Includes male/female ends, ring and roundback gaskets.

Press On	Ringlock Bell	Part Number	Price
4"	4"	P1671-92	69.00
6"	6"	P1671-94	89.00
8"	8"	P1671-96	123.00
10"	10"	P1671-97	178.00
12"	12"	P1671-98	225.00



## Mainline Coupler (Connector PO x RB)

Ringlock Mainline Coupler press into aluminum pipe to form connection between pipe joints. Includes roundback gasket only.

Press On	Ringlock Bell	Part Number	Price
4"	4"	P1671-72	27.00
6"	6"	P1671-74	37.00
8"	8"	P1671-76	57.00
10"	10"	P1671-77	87.00
12"	12"	P1671-78	111.00



## Mainline to Lateral Set (Set Tee PO x RB x RV)

Press into aluminum pipe to provide water supply to valve opener. Includes valve main to lateral w/valve stub, male end, ring and roundback gasket.

Press On	Ringlock Bell	Valve Stub	Part Number	Price
4"	4"	4"	P1761-81	183.00
6"	6"	4"	P1761-83	233.00
8"	8"	4"	P1761-84	289.00
10"	10"	4"	P1761-85	340.00
12"	12"	4"	P1761-86	413.00



## Mainline to Lateral (Tee PO x RB x RV)

Press into aluminum pipe to provide water supply to valve opener. Includes roundback gasket. Band assembly not included.

Press On	Ringlock Bell	Valve Stub	Part Number	Price
4"	4"	4"	P1761-61	143.00
6"	6"	4"	P1761-63	181.00
8"	8"	4"	P1761-64	223.00
10"	10"	4"	P1761-65	249.00
12"	12"	4"	P1761-66	299.00



### Abbreviations

PO – Press-on  
 RB – Ringlock Bell  
 RV – Ringlock Valve Stub

# Ringlock Fittings



## End Tee (Tee RB x RB x RM)

To allow change of direction at end of aluminum mainline. Ring-Lock type. Includes roundback gasket.

Ringlock Bell	Ringlock Bell	Ringlock Male End	Part Number	Price
4"	4"	4"	P1181-61	140.00
6"	6"	6"	P1181-63	211.00
8"	8"	8"	P1181-65	311.00
10"	10"	10"	P1181-66	473.00
12"	12"	12"	P1181-67	653.00



## Line Tee (Tee RM x RB x RB)

To allow branch line off of aluminum mainline in either direction. Ring-Lock type. Includes roundback gasket.

Ringlock Male End	Ringlock Bell	Ringlock Bell	Part Number	Price
4"	4"	4"	P1504-62	140.00
6"	6"	6"	P1506-64	211.00
8"	8"	8"	P1507-65	311.00
10"	10"	10"	P1509-61	473.00
12"	12"	12"	P1680-67	653.00



## 90° Elbow (ELL 90 RM x RB)

Elbow used in aluminum mainline for 90° change in direction. Ring-Lock type. Includes roundback gasket.

Ringlock Male End	Ringlock Bell	Type	Part Number	Price
4"	4"	Sweep	P1796-62	129.00
6"	6"	Sweep	P1797-61	184.00
8"	8"	Mitered	P1797-63	253.00
10"	10"	Mitered	P1797-64	343.00
12"	12"	Mitered	P1797-65	492.00



## 45° Elbow (ELL 45 RM x RB)

Elbow used in aluminum mainline for 45° change in direction. Ring-Lock type. Includes roundback gasket.

Ringlock Male End	Ringlock Bell	Type	Part Number	Price
4"	4"	Sweep	P1799-62	120.00
6"	6"	Sweep	P1798-61	151.00
8"	8"	Mitered	P1798-63	235.00
10"	10"	Mitered	P1798-64	314.00
12"	12"	Mitered	P1798-65	392.00

### Abbreviations

ELL – Elbow  
 RB – Ringlock Bell  
 RM – Ringlock Male End

# Ringlock Accessories



## Male End (Male End RL PO)

Pressed into aluminum pipe to allow connection with female Ring-Lock couplers.

Size	Part Number	Price
4"	P1677-12	23.00
6"	P1675-12	29.00
8"	P1675-14	41.00
10"	P1675-15	61.00
12"	P1675-16	76.00



## End Plug (RM)

Ring-lock type end plug used at the end of mainline to stop water flow.

Size	Part Number	Price
4"	P3206-01	42.00
6"	P3206-03	58.00
8"	P3206-05	83.00
10"	P3206-06	113.00
12"	P3206-07	175.00



## Line Reducer (Connector RM x RB)

Ring-lock Reducer used when going from larger aluminum pipe to the next smaller pipe. Includes roundback gasket.

Ringlock Bell	Ringlock Male End	Part Number	Price
4"	6"	P1838-62	90.00
6"	8"	P1838-65	139.00
8"	10"	P1838-66	190.00
10"	12"	P1838-67	237.00

### Abbreviations

PO – Press-on  
 RB – Ringlock Bell  
 RL – Ringlock  
 RM – Ringlock Male End

# Ringlock Accessories



## Hose to Coupler (Connector HM x RB)

Ring-lock Type Female Hose Fitting designed to enable customers to fabricate rubber hose assemblies. Includes roundback gasket.

Hose Male End	Ringlock Bell	Part Number	Price
4" OD	4"	P1842-62	50.00
6" OD	6"	P1842-64	73.00
8" OD	8"	P1842-65	109.00
10" OD	10"	P1842-66	137.00

## Connector HM x RM

Ring-lock Male Hose End designed to enable customers to fabricate rubber hose assemblies.



Hose Male End	Ringlock Male End	Part Number	Price
4" OD	4"	P1843-02	54.00
6" OD	6"	P1843-04	84.00
8" OD	8"	P1843-05	111.00
10" OD	10"	P1843-06	140.00

## Ring-Lock Clamps (PLT)

Steel locking Clamp Plate used to connect Ring-Lock type fittings.



Size	Part Number	Price
4"	P2123-08	19.00
6"	P2123-02	23.00
8"	P2123-03	25.00
10"	P2123-04	30.00
12"	P2123-05	38.00

### Abbreviations

HM – Hose Male End  
 PLT – Plated  
 RB – Ringlock Bell  
 RM – Ringlock Male End



# Valve Stubs

## Valve Stub (RL ASM)

Welds to steel pipe to allow a valve opener to be attached to control water flow.

Size	Length	Part Number	Price
3"	4"	P1724-01	59.00
4"	6"	P1724-02	71.00
5"	6"	P1724-03	92.00
6"	6"	P1724-04	116.00
6"	9"	P1724-14	142.00
8"	9"	P1724-05	284.00
10"	10"	P1724-17	329.00



## Valve Stub w/female thread (FIPT x RL ASM)

Threads on to male pipe to allow a valve opener to be attached to control water flow.



Female Pipe Thread	Ringlock	Part Number	Price
3"	3"	P1726-01	105.00
3"	4"	P1725-03	109.00
4"	4"	P1726-02	140.00
6"	6"	P1726-04	237.00
8"	8"	P1726-05	428.00
10"	10"	P0056-48	588.00

## Valve Stub w/male thread (MT x RL ASM)

Threads on to female pipe to allow a valve opener to be attached to control water flow.

MIPT	Ringlock	Part Number	Price
3"	3"	P1729-01	89.00
4"	4"	P1729-02	113.00
6"	6"	P1729-04	191.00
8"	8"	P1729-05	385.00



## Valve Stub Stem (Stainless Steel)

Replacement V-Stub Stem

Size	Part Number	Price
3" or 4"	P2086-03	22.00
5" or 6"	P2086-04	27.00
8"	P2114-21	80.00
10"	P2114-22	85.00



## Valve Stub Disc

Replacement Valve Stub Disc.

Size	Part Number	Price
3"	P1059-01	19.00
4"	P1060-01	20.00
5"	P1061-01	23.00
6"	P1062-01	32.00
8"	P1063-01	82.00
10"	P1063-02	95.00



## Valve Stub Stem (Standard)

Replacement V-Stub Stem

Size	Part Number	Price
3" or 4"	P2086-01	14.00
5" or 6"	P2086-02	17.00
8"	P2114-01	52.00
10"	P2114-02	61.00



### Abbreviations

ASM – Assembly  
 FIPT – Female Pipe Thread  
 MT – Male Thread  
 RL – Ringlock

# Gaskets



## Roundback Gaskets

Roundback gaskets used in Universal and Ring-lock fittings.

Size	Part Number	Price
2"	P1616-01	2.25
3"	P1617-01	2.50
4"	P1618-01	3.50
5"	P1619-01	4.75
6"	P1620-01	5.75
6-5/8"	P3111-01	6.75
7"	P1621-01	7.75
8"	P1622-01	8.25
8-5/8"	P2365-01	27.00
10"	P1624-01	11.00
12"	P1625-01	13.00



## Flatback Gaskets

Flatback gaskets used in other MFG Flatback Fittings.

Size	Part Number	Price
2"	P1630-01	3.50
3"	P1631-01	4.50
4"	P1632-01	4.75
5"	P1633-01	5.75
6"	P1634-01	7.75
8"	P1635-01	8.75
10"	P1636-01	19.00



## Triple Lip Gaskets

Used in Roundback Fittings where pipe rotates in coupler.

Size	Part Number	Price
8"	P3219-02	34.00
10"	P3219-04	83.00

## Compression Gasket IPS

Used in Pierce Epoxy IPS Fittings.



Size	Part Number	Price
2"	P1600-01	4.75
2-1/2"	P1601-01	5.25
3"	P1602-01	5.50
4"	P1603-01	8.25
5"	P1604-01	19.00
6"	P1605-01	12.00
8"	P1606-01	16.00
10"	P1607-01	24.00
12"	P1608-01	27.00

## Compression Gasket PIP

Used in Pierce Epoxy PIP Fittings.



Size	Part Number	Price
4"	P1609-01	7.75
6"	P1610-01	11.00
8"	P1611-01	15.00
10"	P1612-01	22.00
12"	P1613-01	25.00
15"	P1614-01	46.00
18"	P1615-01	50.00

## Saddle Gasket



Type	Part Number	Price
Saddles with 4" Outlet	P2121-04	5.75
Saddles with 6" Outlet	P2121-05	8.25

# Epoxy Fittings



Welds to steel pipe to transition from steel to PVC. Both IPS and PIP. Includes gasket.



Bolts onto steel or plastic flange, to transition from steel to PVC. Both IPS and PIP. Includes gasket.

## Weld-On Coupler (Bell WOT IPS)

Size	Part Number	Price
2"	P1001-11	49.00
2-1/2"	P1001-12	50.00
3"	P1001-13	47.00
4"	P1001-14	48.00
5"	P1001-15	52.00
6"	P1001-16	53.00
8"	P1001-17	64.00
10"	P1001-18	93.00
12"	P1001-19	116.00

## Flange Adapter (Connector IF x IB)

Size	Part Number	Price
3"	P1143-03	84.00
4"	P1143-04	93.00
6"	P1143-06	148.00
8"	P1143-07	193.00
10"	P1143-08	254.00
12"	P1143-09	279.00

## Weld-On Coupler (Bell WOT PIP)

Size	Part Number	Price
4"	P1003-11	43.00
6"	P1003-12	48.00
8"	P1003-13	62.00
10"	P1003-14	91.00
12"	P1003-15	114.00
15"	P1133-01	234.00
18"	P1006-03	405.00

## Flange Adapter (Connector IF x PB)

Size	Part Number	Price
4"	P1144-01	92.00
6"	P1144-02	142.00
8"	P1144-03	183.00
10"	P1144-04	241.00
12"	P1144-05	268.00
15"	P1145-01	624.00
18"	P1146-01	838.00

### Abbreviations

IB – IPS Bell  
 IF – IPS Flange  
 PB – PIP Bell  
 WOT – Weld-on Tube

**All epoxy fittings available in galvanized finish.**

# Epoxy Fittings



Tee used to form a 90° branch from mainline of underground. Both IPS and PIP. Includes gaskets.

## Straight Tee IPS (Tee IB x IB x IB)

Size	Part Number	Price
2"	P1459-01	142.00
2-1/2"	P1457-03	142.00
3"	P1457-06	148.00
4"	P1457-09	167.00
6"	P1459-07	203.00
8"	P1459-13	340.00
10"	P1455-02	453.00
12"	P1460-10	788.00



Cross allows two 90° lines to branch from mainline. Both IPS and PIP. Includes gaskets.

## Straight Cross (Cross IB x IB x IB x IB)

Size	Part Number	Price
2-1/2"	P1494-01	180.00
3"	P1494-04	198.00
4"	P1495-01	250.00
6"	P1497-09	259.00
8"	P1497-12	383.00
10"	P1501-01	679.00
12"	P1496-10	1,293.00

## Straight Tee PIP (Tee PB x PB x PB)

Size	Part Number	Price
4"	P1510-01	180.00
6"	P1510-02	223.00
8"	P1510-04	326.00
10"	P1511-02	639.00
12"	P1512-05	786.00
15"	P1516-04	1,564.00
18"	P1517-07	2,207.00

## Straight Cross (Cross PB x PB x PB x PB)

Size	Part Number	Price
4"	P1521-01	197.00
6"	P1521-02	239.00
8"	P1521-04	392.00
10"	P1523-01	1,059.00
12"	P1524-01	1,122.00
15"	P1525-01	2,256.00
18"	P1526-01	3,268.00

### Abbreviations

IB – IPS Bell  
PB – PIP Bell

# Epoxy Fittings



Line reducer Female x Female. Both IPS and PIP. Includes gaskets.

## Reducer - Female x Female IPS (Connector IB x IB)

IPS Bell	IPS Bell	Part Number	Price
2-1/2"	2"	P1527-01	107.00
3"	2"	P1527-02	107.00
3"	2-1/2"	P1527-03	94.00
4"	2"	P1527-04	118.00
4"	2-1/2"	P1527-05	102.00
4"	3"	P1527-06	105.00
6"	2"	P1528-04	148.00
6"	2-1/2"	P1528-05	139.00
6"	3"	P1528-06	141.00
6"	4"	P1527-08	130.00
8"	4"	P1528-07	182.00
8"	6"	P1527-10	161.00
10"	4"	P1529-04	260.00
10"	6"	P1528-09	235.00
10"	8"	P1527-11	213.00
12"	6"	P1529-06	327.00
12"	8"	P1528-10	298.00
12"	10"	P1527-12	283.00



Line reducer Male x Female. Includes gaskets.

## Reducer - Male x Female (Connector IM x IB)

IPS Male	IPS Bell	Part Number	Price
2-1/2"	2"	P1532-01	102.00
3"	2"	P1532-02	104.00
3"	2-1/2"	P1532-03	94.00
4"	2"	P1532-04	112.00
4"	2-1/2"	P1532-05	98.00
4"	3"	P1532-06	98.00
6"	2"	P1533-04	150.00
6"	2-1/2"	P1533-05	137.00
6"	3"	P1533-06	144.00
6"	4"	P1532-08	137.00
8"	3"	P1534-03	177.00
8"	4"	P1533-07	196.00
8"	6"	P1532-10	160.00
10"	4"	P1534-04	242.00
10"	6"	P1533-09	244.00
10"	8"	P1532-11	198.00
12"	6"	P1534-06	309.00
12"	8"	P1533-10	286.00
12"	10"	P1532-12	263.00

## Reducer - Female x Female PIP (Connector PB x PB)

PIP Bell	PIP Bell	Part Number	Price
8"	6"	P1537-02	162.00
10"	8"	P1537-03	227.00
12"	10"	P1537-04	290.00

### Abbreviations

IB – IPS Bell  
IM – IPS Male End  
PB – PIP Bell

# Epoxy Fittings



PVC Repair coupler. IPS and PIP sizes. Includes gaskets.

## Repair Coupler (Connector Repair IB x IB)

Size	Type	Part Number	Price
2"	IPS	P1576-01	101.00
2-1/2"	IPS	P1576-02	103.00
3"	IPS	P1576-03	78.00
4"	IPS	P1578-01	82.00
6"	IPS	P1578-02	127.00
8"	IPS	P1578-03	160.00
10"	IPS	P1578-04	171.00
12"	IPS	P1579-01	232.00
6"	PIP	P1581-02	124.00
8"	PIP	P1581-03	151.00
10"	PIP	P1581-04	185.00
12"	PIP	P1581-05	238.00
15"	PIP	P1582-01	398.00



Used on end of PVC Line to stop water flow. Both IPS and PIP sizes. Includes gasket.

## End Cap (Caps IPS)

Size	Type	Part Number	Price
2"	IPS	P1588-01	58.00
2-1/2"	IPS	P1588-02	58.00
3"	IPS	P1588-03	62.00
4"	IPS	P1588-04	67.00
6"	IPS	P1588-06	84.00
8"	IPS	P1588-07	134.00
10"	IPS	P1588-08	173.00
12"	IPS	P1588-09	206.00
6"	PIP	P1589-02	82.00
8"	PIP	P1589-03	129.00
10"	PIP	P1589-04	177.00



End cap with Female Tap used on end of PVC line, port to supply for Air Vent. Includes gasket.

## End Cap (Cap IB x FT)

Size	Part Number	Price
2" x 1-1/2"	P1424-01	95.00
2-1/2" x 1-1/2"	P1425-03	95.00
3" x 1-1/2"	P1427-03	95.00
4" x 1-1/2"	P1429-03	97.00
4" x 2"	P1429-04	110.00



End Plug used to insert into bell to stop water flow.

## End Plug (Plug IPS)

Size	Part Number	Price
2-1/2"	P1584-02	44.00
3"	P1584-03	44.00
4"	P1584-04	51.00
6"	P1584-06	77.00
8"	P1584-07	119.00
10"	P1584-08	155.00
12"	P1584-09	164.00

### Abbreviations

FT – Female Thread  
 IB – IPS Bell  
 IPS – IPS Bell  
 PIP – PIP Bell



# Epoxy Fittings



Elbow provides a 90° change in direction on PVC Pipe. IPS and PIP sizes. Includes gaskets.

## 90° Elbow (ELL 90 IB x IB)

Size	Type	Part Number	Price
2"	IPS	P1552-01	136.00
2-1/2"	IPS	P1552-02	136.00
3"	IPS	P1552-03	145.00
4"	IPS	P1552-04	161.00
6"	IPS	P1554-01	224.00
8"	IPS	P1554-02	296.00
10"	IPS	P1554-03	407.00
12"	IPS	P1554-04	532.00
4"	PIP	P1556-01	155.00
6"	PIP	P1558-01	216.00
8"	PIP	P1558-02	287.00
10"	PIP	P1558-03	410.00
12"	PIP	P1558-04	598.00
15"	PIP	P1560-01	1,055.00



Elbow provides a 45° change of direction on PVC pipe. IPS and PIP sizes. Includes gaskets.

## 45° Elbow (ELL 45 IB x IB)

Size	Type	Part Number	Price
2"	IPS	P1553-01	134.00
2-1/2"	IPS	P1553-02	134.00
3"	IPS	P1553-03	142.00
4"	IPS	P1553-04	158.00
6"	IPS	P1555-01	186.00
8"	IPS	P1555-02	278.00
10"	IPS	P1555-03	387.00
12"	IPS	P1555-04	472.00
4"	PIP	P1557-01	151.00
6"	PIP	P1559-01	190.00
8"	PIP	P1559-02	280.00
10"	PIP	P1559-03	387.00
12"	PIP	P1559-04	488.00
15"	PIP	P1561-01	830.00



Elbow provides a 22.5° change in direction on PVC Pipe. IPS and PIP sizes. Includes gaskets.

## 22-1/2° Elbow (ELL 22-1/2 IB x IB)

Size	Type	Part Number	Price
2"	IPS	P1564-01	134.00
2-1/2"	IPS	P1564-02	134.00
3"	IPS	P1564-03	142.00
4"	IPS	P1564-04	158.00
6"	IPS	P1564-05	186.00
8"	IPS	P1564-06	278.00
10"	IPS	P1564-07	384.00
12"	IPS	P1564-08	474.00

Abbreviations
ELL – Elbow
IB – IPS Bell
IPS – IPS Bell
PIP – PIP Bell

Size	Type	Part Number	Price
6"	PIP	P1566-02	183.00
8"	PIP	P1566-03	241.00
10"	PIP	P1566-04	337.00
12"	PIP	P1566-05	356.00



# Epoxy Fittings



Z-Pipe used to transition from below ground piping to above ground piping has air, gauge ports. Flanged End x IPS Bell End.

## 52" Z-Pipe (ZEE IF x IB) w/air vent & gauge ports

Flanged	IPS Bell	Air	Gauge Port	Part Number Epoxy	Price	Part Number Galvanized	Price
4"	4"	3"	3/4"	P3336-01	619.00	P3336-21	569.00
6"	6"	3"	3/4"	P3336-03	692.00	P3336-23	619.00
8"	8"	3"	3/4"	P3336-04	1,118.00	P3336-24	1,037.00
10"	10"	3"	3/4"	P3336-05	1,357.00	P3336-25	1,264.00
12"	12"	3"	3/4"	P3336-06	1,437.00	P3336-26	1,594.00

Note: 52" measurement is to center. Air vent and gauge not included.



## 52" Z-Pipe (ZEE IF x IB)

Flange	IPS Bell	Part Number Epoxy	Price	Part Number Galvanized	Price
4"	4"	P3120-01	559.00	P3735-01	482.00
6"	6"	P3120-03	785.00	P3735-03	569.00
8"	8"	P3120-04	1,064.00	P3735-04	1,051.00
10"	10"	P3120-05	1,184.00	P3735-05	1,337.00
12"	12"	P3120-06	1,370.00	P3735-06	1,383.00

Note: 52" measurement is to center.

### Abbreviations

IB – IPS Bell  
 IF – IPS Flange  
 PE – Plain End

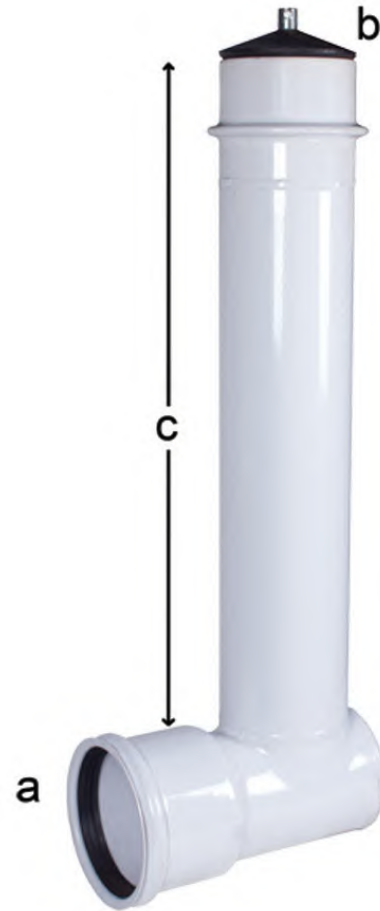


# Epoxy Fittings

## Cap Risers (Female x Cap)

Cap risers used to terminate mainline and provide V-stub connections for valve opener. Both IPS and PIP sizes. Includes gaskets.

Size (a x b x c)	IPS (IB x RV)	PIP (PB x RV)	Price
4" x 4" x 30"	P1252-04	P1295-04	281.00
4" x 4" x 36"	P1252-05	P1295-05	286.00
4" x 4" x 42"	P1252-06	P1295-06	293.00
6" x 4" x 30"	P1254-04	P1296-04	312.00
6" x 4" x 36"	P1254-05	P1296-05	320.00
6" x 4" x 42"	P1254-06	P1296-06	324.00
8" x 4" x 30"	P1256-04	P1298-04	353.00
8" x 4" x 36"	P1256-05	P1298-05	360.00
8" x 4" x 42"	P1256-06	P1298-06	401.00
10" x 4" x 30"	P1259-04	P1301-04	383.00
10" x 4" x 36"	P1259-05	P3868-05	396.00
10" x 4" x 42"	P1259-06	P1301-06	420.00
12" x 4" x 30"	P1262-04	P1304-04	447.00
12" x 4" x 36"	P1262-05	P1304-05	460.00
12" x 4" x 42"	P1262-06	P1304-06	508.00
6" x 6" x 30"	P1255-04	P1297-04	402.00
6" x 6" x 36"	P1255-05	P1297-05	420.00
6" x 6" x 42"	P1255-06	P1297-06	434.00
8" x 6" x 30"	P1257-04	P1299-04	473.00
8" x 6" x 36"	P1257-05	P1299-05	485.00
8" x 6" x 42"	P1257-06	P1299-06	506.00
10" x 6" x 30"	P1260-04	P1302-04	498.00
10" x 6" x 36"	P1260-05	P1302-05	508.00
10" x 6" x 42"	P1260-06	P1302-06	537.00
12" x 6" x 30"	P1263-04	P1305-04	601.00
12" x 6" x 36"	P1263-05	P1305-05	612.00
12" x 6" x 42"	P1263-06	P1305-06	641.00
10" x 8" x 30"	P1261-04	P1303-04	698.00
10" x 8" x 36"	P1261-05	P1303-05	715.00
10" x 8" x 42"	P1261-06	P1303-06	762.00
12" x 8" x 42"	P1264-06	P0058-17	1,052.00
15" x 8" x 36"		P3309-05	1,451.00
15" x 8" x 48"		P3309-06	1,476.00

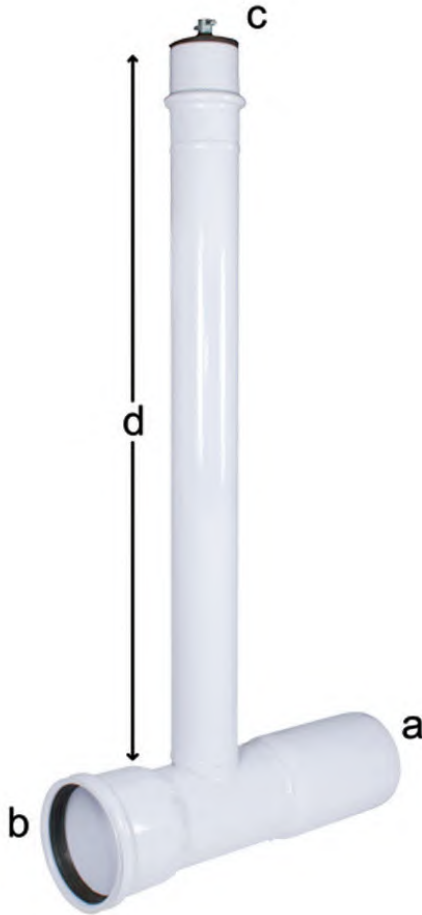


14 - Epoxy Fittings

### Abbreviations

IB – IPS Bell  
 PB – PIP Bell  
 RV – Ringlock Valve Stub

# Epoxy Fittings



## Tee Riser (Male x Female)

Inline Tee Risers Male x Female provide V-stub connections for valve opener. Both IPS and PIP sizes. Includes gaskets.

Size (a x b x c x d)	IPS (IM x IB x RV)	PIP (PM x PB x RV)	Price
4" x 4" x 4" x 30"	P1236-04	P1283-04	281.00
4" x 4" x 4" x 36"	P1236-05	P1283-05	293.00
4" x 4" x 4" x 42"	P1236-06	P1283-06	307.00
6" x 6" x 4" x 30"	P1238-04	P1284-04	307.00
6" x 6" x 4" x 36"	P1238-05	P1284-05	322.00
6" x 6" x 4" x 42"	P1238-06	P1284-06	335.00
8" x 8" x 4" x 30"	P1240-04	P1286-04	360.00
8" x 8" x 4" x 36"	P1240-05	P1286-05	372.00
8" x 8" x 4" x 42"	P1240-06	P1286-06	388.00
10" x 10" x 4" x 30"	P1243-04	P1289-04	414.00
10" x 10" x 4" x 36"	P1243-05	P1289-05	420.00
10" x 10" x 4" x 42"	P1243-06	P1289-06	447.00
12" x 12" x 4" x 30"	P1246-04	P1292-04	460.00
12" x 12" x 4" x 36"	P1246-05	P1292-05	470.00
12" x 12" x 4" x 42"	P1246-06	P1292-06	479.00
6" x 6" x 6" x 30"	P1239-04	P1285-04	370.00
6" x 6" x 6" x 36"	P1239-05	P1285-05	420.00
6" x 6" x 6" x 42"	P1239-06	P1285-06	445.00
8" x 8" x 6" x 30"	P1241-04	P1287-04	468.00
8" x 8" x 6" x 36"	P1241-05	P1287-05	477.00
8" x 8" x 6" x 42"	P1241-06	P1287-06	491.00
10" x 10" x 6" x 30"	P1244-04	P1290-04	511.00
10" x 10" x 6" x 36"	P1244-05	P1290-05	539.00
10" x 10" x 6" x 42"	P1244-06	P1290-06	555.00
12" x 12" x 6" x 30"	P1247-04	P1293-04	753.00
12" x 12" x 6" x 36"	P1247-05	P1293-05	767.00
12" x 12" x 6" x 42"	P1247-06	P1293-06	780.00
10" x 10" x 8" x 30"	P1245-04	P1291-04	634.00
10" x 10" x 8" x 36"	P1245-05	P1291-05	649.00
10" x 10" x 8" x 42"	P1245-06	P1291-06	671.00
12" x 12" x 8" x 42"	P1248-06	P1294-06	843.00
15" x 15" x 8" x 36"		P3308-05	1,031.00
15" x 15" x 8" x 48"		P3308-06	1,070.00

### Abbreviations

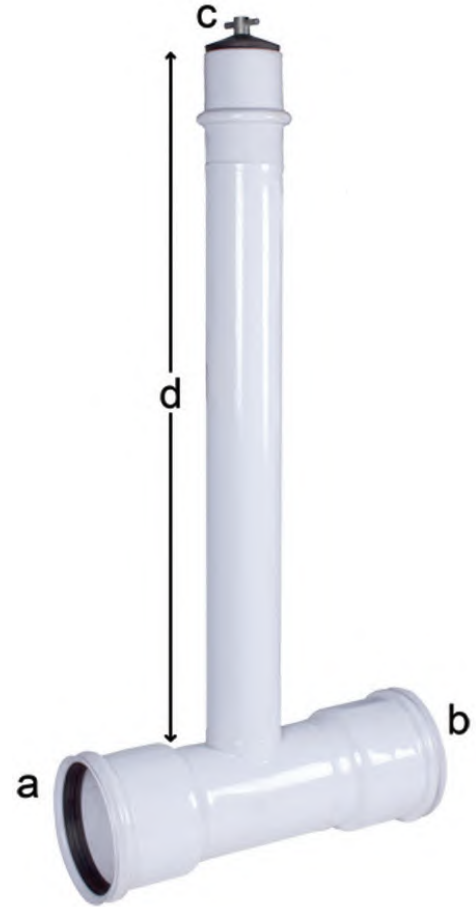
IM – IPS Male  
 IB – IPS Bell  
 PB – PIP Bell  
 PM – PIP Male  
 RV – Ringlock Valve Stub

# Epoxy Fittings

## Tee Riser (Female x Female)

Inline Tee Risers Female x Female provide V-stub connections for valve opener. Both IPS and PIP sizes. Includes gaskets.

Size (a x b x c x d)	IPS (IB x IB x RV)	PIP (PB x PB x RV)	Price
4" x 4" x 4" x 30"	P1220-04	P1265-04	273.00
4" x 4" x 4" x 36"	P1220-05	P1265-05	284.00
4" x 4" x 4" x 42"	P1220-06	P1265-06	289.00
6" x 6" x 4" x 30"	P1223-04	P1266-04	350.00
6" x 6" x 4" x 36"	P1223-05	P1266-05	360.00
6" x 6" x 4" x 42"	P1223-06	P1266-06	368.00
8" x 8" x 4" x 30"	P1226-04	P1268-04	410.00
8" x 8" x 4" x 36"	P1226-05	P1268-05	425.00
8" x 8" x 4" x 42"	P1226-06	P1268-06	438.00
8" x 10" x 4" x 30"	P1229-04	P1271-04	460.00
10" x 10" x 4" x 36"	P1229-05	P1271-05	470.00
10" x 10" x 4" x 42"	P1229-06	P1271-06	477.00
12" x 12" x 4" x 30"	P1232-04	P1274-04	549.00
12" x 12" x 4" x 36"	P1232-05	P1274-05	559.00
12" x 12" x 4" x 42"	P1232-06	P1274-06	570.00
6" x 6" x 6" x 30"	P1224-04	P1267-04	410.00
6" x 6" x 6" x 36"	P1224-05	P1267-05	418.00
6" x 6" x 6" x 42"	P1224-06	P1267-06	431.00
8" x 8" x 6" x 30"	P1227-04	P1269-04	447.00
8" x 8" x 6" x 36"	P1227-05	P1269-05	494.00
8" x 8" x 6" x 42"	P1227-06	P1269-06	514.00
10" x 10" x 6" x 30"	P1230-04	P1272-04	590.00
10" x 10" x 6" x 36"	P1230-05	P1272-05	606.00
10" x 10" x 6" x 42"	P1230-06	P1272-06	614.00
12" x 12" x 6" x 30"	P1233-04	P1275-04	590.00
12" x 12" x 6" x 36"	P1233-05	P1275-05	641.00
12" x 12" x 6" x 42"	P1233-06	P1275-06	715.00
10" x 10" x 8" x 30"	P1231-04	P1273-04	703.00
10" x 10" x 8" x 36"	P1231-05	P1273-05	736.00
10" x 10" x 8" x 42"	P1231-06	P1273-06	797.00
12" x 12" x 8" x 42"	P1234-06	P1276-06	1,018.00
15" x 15" x 8" x 36"		P3307-05	1,497.00
15" x 15" x 8" x 42"		P3307-06	1,529.00



14 - Epoxy Fittings

### Abbreviations

IB – IPS Bell  
 PB – PIP Bell  
 RV – Ringlock Valve Stub

# Epoxy Fittings



Inline underground coupler Female X Female with Female threaded port. Both IPS and PIP sizes. Includes gaskets.

14 - Epoxy Fittings

## Service Tee w/FIPT (Tee PB x PB x FT)

Size (PB x FT)	Part Number	Price
4"x 3"	P1378-05	150.00
6"x 3"	P1380-03	169.00
6"x 4"	P1380-04	205.00
8"x 3"	P1382-03	230.00
8"x 4"	P1382-04	251.00
10"x 2"	P1384-01	255.00
10"x 3"	P1384-03	350.00
10"x 4"	P1384-04	355.00
12"x 2"	P1386-04	316.00
12"x 3"	P1386-06	324.00
12"x 4"	P1387-01	399.00
15"x 2"	P1388-04	483.00
15"x 3"	P1388-06	506.00
15"x 4"	P1390-01	643.00
18"x 2"	P1389-04	1,359.00
18"x 4"	P1389-07	1,440.00

## Service Tee w/FIPT (Tee IB x IB x FT)

Size (IB x FT)	Part Number	Price
2x 1"	P1354-01	113.00
2"x 1-1/4"	P1354-02	116.00
2"x 1-1/2"	P1355-01	128.00
2"x 2"	P1355-02	157.00
2-1/2"x 1"	P1356-01	90.00
2-1/2"x 1-1/4"	P1356-02	94.00
2-1/2"x 1-1/2"	P1356-03	97.00
2-1/2"x 2"	P1357-01	100.00
2-1/2"x 2-1/2"	P1357-02	105.00
3" x 1"	P1358-01	94.00
3"x 1-1/4"	P1358-02	101.00
3"x 1-1/2"	P1358-03	102.00
3"x 2"	P1359-01	110.00
3"x 2-1/2"	P1359-02	117.00
3"x 3"	P1359-03	125.00
4"x 1"	P1360-01	102.00
4"x 1-1/4"	P1360-02	107.00
4"x 1-1/2"	P1360-03	108.00
4"x 2"	P1360-04	113.00
4"x 2-1/2"	P1361-01	125.00
4"x 3"	P1361-02	141.00
4"x 4"	P1361-03	166.00
6" x 1"	P1364-01	113.00
6"x 1-1/4"	P1364-02	120.00
6"x 1-1/2"	P1364-03	125.00
6"x 2"	P1364-04	128.00
6"x 2-1/2"	P1365-01	159.00
6"x 3"	P1365-02	189.00
6"x 4"	P1365-03	203.00
6"x 6"	P1365-05	249.00
8"x 1-1/2"	P1367-02	181.00
8"x 2"	P1367-03	192.00
8"x 3"	P1368-02	251.00
8"x 4"	P1368-03	284.00
10"x 1-1/2"	P1370-02	240.00
10"x 2"	P1370-03	265.00
10"x 2-1/2"	P1371-01	269.00
10"x 3"	P1372-01	287.00
10"x 4"	P1372-02	354.00
12"x 1-1/2"	P1374-02	251.00
12"x 2"	P1374-03	269.00
12"x 2-1/2"	P1375-01	272.00
12"x 3"	P1375-02	286.00
12"x 4"	P1376-01	381.00

### Abbreviations

IB – IPS Bell  
 PB – PIP Bell  
 FT – Female Thread



# Epoxy Fittings

## Reducing Tee (Tee IB x IB x IB)

Reducing Tee enables multiple size underground lines to intersect. Includes gaskets.



Size (a x b x c)	Part Number	Price
2" x 2" x 3"	P1462-02	192.00
2-1/2" x 2-1/2" x 2"	P1457-01	146.00
2-1/2" x 2-1/2" x 3"	P1457-02	148.00
3" x 2" x 2"	P1480-03	181.00
3" x 2" x 3"	P1480-05	157.00
3" x 2-1/2" x 2-1/2"	P1480-07	135.00
3" x 2-1/2" x 3"	P1480-08	138.00
3" x 3" x 2"	P1457-04	117.00
3" x 3" x 2-1/2"	P1457-05	112.00
3" x 3" x 4"	P1462-10	196.00
4" x 2" x 2"	P1477-01	187.00
4" x 2" x 4"	P1480-11	171.00
4" x 2-1/2" x 2-1/2"	P1480-27	147.00
4" x 2-1/2" x 4"	P1480-13	157.00
4" x 3" x 3"	P1480-15	157.00
4" x 3" x 4"	P1480-16	159.00
4" x 4" x 2"	P1456-01	125.00
4" x 4" x 2-1/2"	P1457-07	125.00
4" x 4" x 3"	P1457-08	128.00
4" x 4" x 6"	P1462-15	299.00
6" x 2-1/2" x 6"	P1485-10	230.00
6" x 3" x 3"	P1485-12	214.00
6" x 3" x 6"	P1485-15	238.00
6" x 4" x 4"	P1480-19	238.00
6" x 6" x 2"	P1456-02	138.00
6" x 6" x 2-1/2"	P1459-03	158.00

Size (a x b x c)	Part Number	Price
6" x 6" x 3"	P1459-04	173.00
6" x 6" x 4"	P1459-05	203.00
6" x 6" x 8"	P1462-18	383.00
8" x 4" x 4"	P1485-18	314.00
8" x 4" x 8"	P1485-21	360.00
8" x 6" x 6"	P1481-05	297.00
8" x 8" x 2-1/2"	P1459-08	255.00
8" x 8" x 3"	P1459-09	261.00
8" x 8" x 4"	P1459-10	266.00
8" x 8" x 6"	P1459-12	272.00
8" x 8" x 10"	P1462-19	570.00
10" x 6" x 6"	P1485-30	416.00
10" x 6" x 10"	P1486-05	713.00
10" x 8" x 8"	P1482-02	603.00
10" x 8" x 10"	P1482-03	687.00
10" x 10" x 2"	P1458-02	293.00
10" x 10" x 2-1/2"	P1459-14	320.00
10" x 10" x 3"	P1459-15	357.00
10" x 10" x 4"	P1459-16	314.00
10" x 10" x 6"	P1459-18	372.00
10" x 10" x 8"	P1455-01	412.00
10" x 10" x 12"	P1462-20	978.00
12" x 12" x 4"	P1460-05	435.00
12" x 12" x 6"	P1460-07	617.00
12" x 12" x 8"	P1460-08	623.00
12" x 12" x 10"	P1460-09	782.00

### Abbreviations

IB - IPS Bell

# Epoxy Fittings



## Saddles (Set Saddle x FT)

Bolts to Steel, PVC, IPS, PIP and OD sizes. Epoxy or Galvanized coating. Female or Male outlets. Includes gasket and hardware.

Saddle	Female Thread	Type	Part Number	Price
6"	3"	Epoxy	P1311-82	153.00
8"	3"	Epoxy	P1312-82	160.00
10"	3"	Epoxy	P1313-82	191.00
12"	3"	Epoxy	P1314-82	203.00
6"	4"	Epoxy	P1311-83	156.00
8"	4"	Epoxy	P1312-83	196.00
10"	4"	Epoxy	P1313-83	202.00
12"	4"	Epoxy	P1314-83	214.00
6"	3"	Galvanized	P1311-92	138.00
8"	3"	Galvanized	P1312-92	151.00
10"	3"	Galvanized	P1313-92	160.00
12"	3"	Galvanized	P1314-92	178.00
6"	4"	Galvanized	P1311-93	162.00
8"	4"	Galvanized	P1312-93	177.00
10"	4"	Galvanized	P1313-93	188.00
12"	4"	Galvanized	P1314-93	203.00



## Saddle Risers (Set Saddle Riser x RV)

Bolts to Steel, PVC, IPS, PIP and OD sizes. Provides V-stub for valve opener connections. Epoxy or Galvanized coating. Includes gasket and hardware.

Saddle	Ringlock Valve	Type	Part Number	Price
6"	4"	Epoxy	P1320-85	251.00
8"	4"	Epoxy	P1323-85	274.00
10"	4"	Epoxy	P1326-85	296.00
12"	4"	Epoxy	P1329-85	327.00
6"	4"	Galvanized	P3586-85	274.00
8"	4"	Galvanized	P3672-85	279.00
10"	4"	Galvanized	P3670-85	284.00
12"	4"	Galvanized	P3671-85	292.00

Note: Standard riser height is 36", call for optional sizes.

## Saddle Gasket

Type	Part Number	Price
4" Outlet	P2121-04	5.75
6" Outlet	P2121-05	8.25



### Abbreviations

IF – Female Thread  
RV – Ringlock Valve Stub

# Galvanized *Flanged Fittings*

## Galvanized 45° Elbow Flanged EII 45 IFxIF G

Size	Type	Part Number	Price
4"x4"	Mitered	P3436-13	206.00
6"x6"	Mitered	P3436-14	307.00
8"x8"	Mitered	P3436-15	431.00
10"x10"	Mitered	P3436-16	504.00
12"x12"	Mitered	P3436-17	723.00



## Galvanized Sweep 90° Elbow Flanged EII 90 IFxIF G

Size	Type	Part Number	Price
4"x4"	Sweep	P3241-04	225.00
6"x6"	Sweep	P3435-11	294.00



## Galvanized Mitered 90° Elbow Flanged EII 90 IFxIF G

Size	Type	Part Number	Price
8"x8"	Mitered	P3435-12	498.00
10"x10"	Mitered	P3435-13	623.00
12"x12"	Mitered	P3435-14	860.00



## Galvanized Tee Flanged Tee IFxIFxIF G

Size	Part Number	Price
4"x4"x4"	P3223-31	306.00
6"x6"x6"	P3223-36	493.00
8"x8"x8"	P3224-26	620.00
10"x10"x10"	P3224-33	724.00
12"x12"x12"	P3225-18	1,098.00



### Abbreviations

IF – IPS Flange  
G – Galvanized

14 - Galvanized

# Galvanized Spool & Reducing Spools

## Galvanized Spool Flanged Spool IFxIF G

Size	Part Number	Price
4"x4"x12"	P3675-12	169.00
6"x6"x12"	P3403-12	225.00
8"x8"x12"	P3363-12	334.00
10"x10"x12"	P3677-12	429.00
12"x12"x12"	P3365-12	557.00



## Galvanized Reducing Spool Flanged Connector IFxIF G

Size	Part Number	Price
6"x4"	P1878-13	207.00
8"x6"	P1878-14	325.00
10"x8"	P1878-15	388.00
12"x10"	P1878-16	532.00



## Galvanized Eccentric Suction Adapters Flanged Ecc IFxIF 1FT G

Size	Part Number	Price
6"x4"	P3495-08	334.00
8"x6"	P3495-12	459.00
10"x8"	P3495-15	598.00
12"x10"	P3495-16	765.00



## 1/8" Red Rubber Full Face Gasket

Size	Part Number	Price
3"	P2347-01	3.50
4"	P2347-02	4.75
5"	P2347-03	5.75
6"	P2347-04	7.00
8"	P2347-05	8.75
10"	P2347-06	14.00
12"	P2347-07	18.00



Larger sizes available upon request.

### Abbreviations

IF – IPS Flange  
FT – Female Thread  
G – Galvanized

**PIERCE**<sup>TM</sup>  
FITTINGS

# Galvanized Grooved Fittings

## Galvanized 90° Elbow Grooved (EII 90° VM x VM)

Size	Part Number	Price
4"x4"	P2301-31	188.00
6"x6"	P2301-33	278.00
8"x8"	P2301-34	388.00



## Galvanized 45° Elbow Grooved (EII 45° VM x VM)

Size	Part Number	Price
4"x4"	P2301-21	137.00
6"x6"	P2301-23	193.00
8"x8"	P2301-24	274.00



## Galvanized Tee Grooved (Tee VM x VM x VM)

Size	Part Number	Price
4"x 4"x 4"	P2301-41	218.00
6"x 6"x 6"	P2301-43	247.00
8"x 8"x 8"	P2301-44	380.00



## Galvanized Connector Grooved (Connector VM x IF)

Size	Part Number	Price
4"x4"	P2301-51	79.00
6"x6"	P2301-53	101.00
8"x8"	P2301-54	139.00



# Galvanized *Foot Valves*

Foot valves are used at the end of the intake pipe line to maintain water in the line so the pump need not be primed at startup. Screen prevents debris from entering the pump.

## Foot Valve (Foot Valve IF x IF)

Size	Part Number	Price
6"	P1756-02	437.00
8"	P1756-03	593.00
10"	P1756-04	715.00



## Foot Valve Screen Flanged

Size	Part Number	Size	Price
6"	P1757-12	1/2H	413.00
8"	P1757-14	1/2H	530.00
10"	P1757-16	1/2H	641.00



## Galvanized 45° Elbow Flanged EII 45°IF x IF G

Size	Part Number	Price
6" x 6"	P3436-14	307.00
8" x 8"	P3436-15	431.00
10" x 10"	P3436-16	504.00
12" x 12"	P3436-17	723.00





## Weld-On Coupler Set

Welds to steel pipe to provide transition between Steel and PVC pipe. IPS, PIP, OD sizes. Includes flange pack.

For larger diameters (21" – 36") price is available upon request.

Size	IPS	PIP	OD	Price
4"	P9017-01	P9017-03	P9017-05	104.00
5"	P9018-01		P9018-03	114.00
6"	P9019-01	P9019-03	P9019-05	129.00
8"	P9020-01	P9020-03	P9020-05	172.00
10"	P9021-01	P9021-03	P9021-05	212.00
12"	P9022-01	P9022-03	P9022-05	250.00
15"		P9023-01		384.00
18"		P2294-26		569.00

Note: Galvanized available upon request.



## Weld-On Coupler

Size	Flange Packs Required	Part Number	Price
4"	1	P1591-12	65.00
5"	1	P1591-13	69.00
6"	1	P1591-14	84.00
8"	1	P1591-15	114.00
10"	1	P1591-16	135.00
12"	1	P1591-17	159.00
15"	1	P2294-25	260.00
18"	1	P2294-29	362.00

Note: Custom sizes available by special order.



## Flange Pack Options

Size	IPS	PIP	OD	Price
4"	P1641-02	P1642-01	P1643-02	39.00
5"	P1641-03		P1643-03	45.00
6"	P1641-04	P1642-02	P1643-04	45.00
8"	P1641-05	P1642-03	P1643-05	58.00
10"	P1641-06	P1642-04	P1643-06	77.00
12"	P1641-07	P1642-05	P1643-07	91.00
15"		P1642-06		124.00
18"		P1642-07		207.00



# Wedge-Tite®



## Repair Coupler Set 6" Body

Coupler used to connect two pieces of pipe. IPS, PIP and OD sizes. Includes flange pack.

Size	IPS	PIP	OD	Price
4"	P9025-01	P9025-04	P9025-04	115.00
5"	P9026-01		P9026-05	126.00
6"	P9027-01	P9027-03	P9027-05	135.00
8"	P9028-01	P9028-03	P9028-05	159.00
10"	P9029-01	P9029-03	P9029-05	198.00
12"	P9030-01	P9030-03	P9030-05	265.00



## 6" Repair Body

Size	Flange Packs Required	Part Number	Price
4"	1	P1593-12	48.00
5"	1	P1593-13	55.00
6"	1	P1593-14	58.00
8"	1	P1593-15	64.00
10"	1	P1593-16	76.00
12"	1	P1593-17	106.00



## Flange Pack Options

Size	IPS	PIP	OD	Price
4"	P1644-02	P1645-01	P1646-02	67.00
5"	P1644-03		P1646-03	71.00
6"	P1644-04	P1645-02	P1646-04	77.00
8"	P1644-05	P1645-03	P1646-05	95.00
10"	P1644-06	P1645-04	P1646-06	122.00
12"	P1644-07	P1645-05	P1646-07	159.00

## Repair Coupler Set 10" Body

Coupler used to connect two pieces of pipe. IPS, PIP and OD sizes. Includes flange pack.

Size	IPS	PIP	OD	Price
4"	P9075-01	P9075-03	P9075-05	122.00
5"	P9076-01		P9076-04	134.00
6"	P9077-01	P9077-03	P9077-05	141.00
8"	P9078-01	P9078-03	P9078-05	181.00
10"	P9079-01	P9079-03	P9079-05	216.00
12"	P9080-01	P9080-03	P9080-05	280.00
15"		P9081-01		399.00



## 10" Repair Body

Size	Flange Packs Required	Part Number	Price
4"	1	P1594-12	55.00
5"	1	P1594-13	58.00
6"	1	P1594-14	61.00
8"	1	P1594-15	82.00
10"	1	P1594-16	84.00
12"	1	P1594-17	110.00
15"	1	P2292-25	175.00



## Flange Pack Options

Size	IPS	PIP	OD	Price
4"	P1647-02	P1648-01	P1649-02	67.00
5"	P1647-03		P1649-03	76.00
6"	P1647-04	P1648-02	P1649-04	80.00
8"	P1647-05	P1648-03	P1649-05	99.00
10"	P1647-06	P1648-04	P1649-06	132.00
12"	P1647-07	P1648-05	P1649-07	170.00
15"		P1648-06		224.00



# Wedge-Tite®



## Repair Coupler Set 16" Body

Coupler used to connect two pieces of pipe. IPS, PIP and OD sizes. Includes flange pack.

Size	IPS	PIP	OD	Price
4"	P9083-01	P9083-03	P9083-05	181.00
5"	P9084-01		P9084-03	220.00
6"	P9085-01	P9085-03	P9085-05	230.00
8"	P9086-01	P9086-03	P9086-05	277.00
10"	P9087-01	P9087-03	P9087-05	346.00
12"	P9088-01	P9088-03	P9088-05	404.00
15"		P9089-01		595.00
18"		P2293-56		1,051.00

For Larger Diameters (21"-36") price is available upon request.



## 16" Repair Body

Size	Flange Packs Required	Part Number	Price
4"	2	P1595-12	103.00
5"	2	P1595-13	130.00
6"	2	P1595-14	140.00
8"	2	P1595-15	161.00
10"	2	P1595-16	192.00
12"	2	P1595-17	222.00
15"	2	P2293-25	347.00
18"	2	P2293-26	637.00



## Flange Pack Options\*

Size	IPS	PIP	OD	Price
4"	P1641-02	P1642-01	P1643-02	39.00
5"	P1641-03		P1643-03	45.00
6"	P1641-04	P1642-02	P1643-04	45.00
8"	P1641-05	P1642-03	P1643-05	58.00
10"	P1641-06	P1642-04	P1643-06	77.00
12"	P1641-07	P1642-05	P1643-07	91.00
15"		P1642-06		124.00
18"		P1642-07		207.00

\*Two required per body.

# Parts & Accessories

## Accessories

### Center Riser Press-in

Provides sprinkler outlet in handline pipe.

Size	Part Number	Price
3" x 3" x 1"	P3673-01	50.00



## Pressure Relief Valves

### 3" Pressure Relief Valve - FIPT

Factory Set – Female pipe thread.

PSI	Part Number	Price
60 psi	P3221-60	149.00
85 psi	P3221-85	149.00
120 psi	P3226-20	149.00



## Pressure Relief Valves

### 3" Pressure Relief Valve - MIPT

Factory Set – Male pipe thread.

PSI	Part Number	Price
60 psi	P1730-60	119.00
85 psi	P1730-85	119.00
120 psi	P1732-20	119.00



**Note: Additional pressure settings available upon request.**

# Parts & Accessories

## Weld-On/No-Lock

### Weld-On/No-Lock (Bell WOT UB black)

Used for customer fabrication purposes. Includes round back gasket.



Size	Part Number	Price
2"	P1007-41	16.00
3"	P1007-42	18.00
4"	P1007-43	21.00
5"	P1007-44	26.00
6"	P1007-45	33.00
8"	P1007-47	46.00
10"	P1007-48	59.00
12"	P1007-49	61.00

### Weld-On/No-Lock (Bell WOT RL black)

Used for customer fabrication purposes. Includes round back gasket.



Size	Part Number	Price
4"	P1669-42	20.00
6"	P1669-44	26.00
8"	P1669-46	39.00
10"	P1669-47	53.00
12"	P1669-48	70.00

### Weld-On/No-Lock (Bell WOT UB Galvanized)

Size	Part Number	Price
4"	P1007-53	28.00
5"	P1007-54	31.00
6"	P1007-55	38.00
8"	P1007-57	57.00
10"	P1007-58	73.00
12"	P1007-59	87.00

### Weld-On/No-Lock (Bell WOT RL Galvanized)

Size	Part Number	Price
4"	P1669-12	24.00
6"	P1669-14	31.00
8"	P1669-16	49.00
10"	P1669-17	65.00
12"	P1669-18	78.00



### Weld-On Male End (RL WOT black)

Used for customer fabrication purposes.

Size	Part Number	Price
4"	P1678-02	23.00
5"	P1676-01	27.00
6"	P1676-02	28.00
8"	P1676-04	36.00
10"	P1676-05	49.00
12"	P1676-06	62.00



### Hose Male End (Black)

Used for customer fabrication purposes.

Size	Part Number	Price
3"	P1790-02	18.00
4"	P1790-04	20.00
4-1/2"	P1790-05	21.00
5"	P1790-06	27.00
6"	P1790-07	30.00
8"	P1790-08	46.00

#### Abbreviations

RL – Ringlock  
 UB – Universal Bell  
 WOT – Weld-On Tube



# Parts & Accessories

## Concentric Cone (Black)

Used for Customer fabrications purposes.

Size	Part Number	List Price	10 Gauge	List Price
3"x 2"	P1081-02	8.00		
4"x 2"	P1081-03	12.00	P0038-80	18.00
4"x 3"	P1081-09	9.50	P3684-01	12.00
5"x 3"	P1081-10	15.00	P3684-09	21.00
5"x 4"	P1081-14	11.00	P3684-02	13.00
6"x 4"	P1081-15	16.00	P3684-03	21.00
6"x 5"	P1081-19	15.00	P3684-04	21.00
6"x 7"	P1081-23	18.00		
7"x 8"	P1081-27	20.00		
8"x 6"	P1081-24	26.00	P3684-05	30.00
9"x 8"	P1081-29	27.00		
10"x 8"	P1081-30	31.00	P3684-06	38.00
12"x 10"	P1081-34	38.00	P3684-07	49.00



## Eccentric Cone (Black)

Eccentric Cone – Black used for customer fabrication purposes.

Size	Part Number	Price
3"x 2-1/4"	P1734-01	44.00
4"x 3"	P1734-03	65.00
5"x 3"	P1735-03	68.00
6"x 3"	P1735-04	80.00
5"x 4"	P1734-06	78.00
6"x 4"	P1735-06	82.00
8"x 4"	P1736-03	153.00
6"x 5"	P1734-08	78.00
8"x 5"	P1735-10	119.00
8"x 6"	P1735-12	114.00
10"x 8"	P1735-14	153.00
12"x 10"	P1735-16	207.00



## 90° Sweep Elbow (Weld-On, Black)

Size	Part Number	Price
3"	P1097-12	36.00
4"	P1097-13	60.00
6"	P1097-15	91.00



## 90° Mitered Elbow (Weld-On, Black)

Size	Part Number	Price
8"	P1110-05	130.00
10"	P1110-06	146.00
12"	P1110-07	298.00



## 45° Sweep Elbow (Weld-On, Black)

Size	Part Number	Price
3"	P1100-12	39.00
4"	P1100-13	61.00
6"	P1100-15	68.00



# Parts & Accessories



## 45° Mitered Elbow (Weld-On, Black)

Size	Part Number	Price
8"	P1111-05	95.00
10"	P1111-06	128.00
12"	P1111-07	176.00

## Black Steel Nipple - MIPT TOE

Black welding nipples.



Size	Part Number	Price
3/4" x 2"	P2127-07	4.25
1" x 2"	P2127-10	7.00
1-1/4" x 3"	P2127-14	7.75
1-1/2" x 2"	P2127-15	7.25
2" x 2"	P2127-16	8.25
2-1/2" x 2"	P2127-11	13.00
3" x 3"	P2127-24	15.00
4" x 3-1/2"	P2127-29	18.00
5" x 3-1/2"	P2127-33	40.00
6" x 4"	P2127-35	42.00
8" x 5"	P2127-37	57.00
10" x 4-1/2"	P2127-38	91.00

## Black Steel Coupling - FIPT HALF

Black welding female threads.



Size	Part Number	Price
3/4"	P2062-05	5.50
1"	P2062-06	5.50
1-1/4"	P2062-07	6.00
1-1/2"	P2062-08	7.75
2"	P2062-09	9.00
2-1/2"	P2062-10	21.00
3"	P2062-11	23.00
4"	P2062-12	30.00
5"	P2062-13	53.00
6"	P2062-14	74.00

## Hose Clamps (Clampco)

Hose Clamps used to make hose assemblies.



Size	Part Number	Price
2" x 2-3/8"	P2245-01	13.00
3" x 3-1/4"	P2245-02	13.00
4-1/4" x 4-5/8"	P2245-04	13.00
5" x 5-3/8"	P2245-05	16.00
6" x 6-3/8"	P2245-06	16.00

## Flat Welding Discs (Black)

Black welding disc used for customer fabrication.



Size	Part Number	Price
2"	P1067-02	3.25
3"	P1067-05	3.75
4"	P1067-09	5.50
5"	P1067-11	7.00
6"	P1067-14	8.25
8"	P1067-21	13.00
10"	P1067-25	34.00
12"	P1067-29	53.00

## Policy and Conditions of Sale

This statement of Policy and Conditions of Sales supersedes all previous Policy and Conditions as stated by Fresno Valves & Castings, Inc. hereinafter referred to as the "Company". This Policy will apply to all sales unless otherwise stated in writing.

### Prices, Terms and Specifications

**Pricing.** Prices listed in our catalog are recommended list prices F.O.B. the Company. Prices are subject to change without notice and shall be those in effect at time of shipment. All prices are in U.S. dollars.

**Dealers.** Sales are made through authorized distributors and/or dealers only. Possession of our catalog does not constitute an offer to sell our product. All orders are subject to acceptance by the Company.

**Taxes.** The purchaser shall reimburse the seller for any sales, use, occupation, excise, or other taxes in connection with the sale, which will be charged by invoice. The purchaser will not be invoiced for tax on items that are exempt with an appropriate tax exemption certificate.

**Terms.** All orders are subject to the approval and conditions of the Company's credit department. Payment terms are net 30 days, or net 10th day of the month following invoicing, unless otherwise specified in writing. Cash discounts, if applicable, will be stated on the invoice. Freight or other net priced items are not subject to further discount. Interest may be charged on all past due invoices at the current rate allowed by law. Any check returned for non-sufficient funds will be subject to a \$25.00 handling charge.

**Specifications.** The Company's policy is one of continuous improvement. The Company reserves the right to make changes to designs or specifications without notice or incurring obligation.

**Cancellation.** Standard items may only be cancelled if request is made prior to shipment. Special or custom-made items may not be cancelled unless cancellation precedes the item being in the process of manufacture. Such cancellations will only be allowed after full costs expended in the process of manufacture have been fully reimbursed.

**Minimum Order.** The Company's minimum order amount is \$25.00.

**Security Interest.** Buyer acknowledges that the Company will retain a purchase money security interest in the goods sold until the purchase price has been paid in full and all other conditions of sale fully performed.

### Freight, Returns and Delivery

**Freight Allowance.** On orders that equal \$9,000, net or more, freight will be prepaid on domestic shipments to the first destination in the continental United States. Freight allowances do not apply on certain items, such as Filter Media or on certain orders shipped to remote locations. The Company reserves the right to select the carrier and method of delivery.

**Damage Claims / Shortages.** Freight shortages and damage claims due to transportation shall be made directly to the transportation provider. Shipments should be carefully examined upon arrival, prior to delivery receipt being signed. If any loss or damage is evident, it should be noted on the delivery receipt. Have the driver initial such exceptions. The contents of all packages should be examined within 48 hours for concealed damage. Contact the carrier to arrange for prompt inspection of any damaged goods. If replacement for damaged or lost items is needed, the purchaser will give the seller a new order marked replacement for the same. The purchaser shall pay the invoices for such replacement and request a duplicate receipt to be filed with his claim against the carrier. All claims for shortages must be made within 10 days of receipt of shipment. Claims need to identify item, quantity, packing list number, invoice number, and date of shipment.

**Returns.** The return of current catalog merchandise in saleable condition may be subject to a restocking charge. All returns must be accompanied by a Company approved Return Material Authorization. Specials, custom fabricated or modified items will not be accepted for return. Items not listed in the current Company catalog or items purchased more than one year prior to the request date will not receive authorization. All returns must be shipped freight prepaid unless otherwise specified on the Return Authorization. Return parts may be subject to a rework charge.

**Delivery.** The Company accepts no liability for delay in delivery caused by circumstances arising beyond the control of the Company. These circumstances include but are not limited to delays of carriers or suppliers.

### Manufacturers Limited Warranty

All products sold and/or manufactured by the Company are warranted to be free of defects in material and workmanship for a period of one year from the date of delivery unless otherwise specified. Specific product line warranties may supersede this warranty. No warranty will extend beyond the description of goods sold on the Company invoice. Except as expressly provided herein, all warranties expressed or implied, including any implied warranty of merchantability or fitness for a particular purpose or use, are hereby excluded and disclaimed. The buyer assumes all risk and liability resulting from use of products purchased. Any misuse, neglect, modifications or use for purposes not approved by the Company shall completely void any warranty claim. The Company at its sole discretion shall have the option to repair or replace, part or all of the defective product or provide full or partial refunds for same. Any warranty claim must be made in writing within the applicable warranty period and postmarked within 30 days after the discovery of the defect. Warranty does not include any installation of transportation costs, which must be borne by the purchaser. Address all warranty claims to:

**Fresno Valves & Castings, Inc.**  
**P. O. Box 40, Selma, CA 93662-0040**



7736 East Springfield Ave.  
P.O. Box 40 • Selma, CA 93662-0040  
(559) 834-2511 • FAX: (559) 834-2017  
[www.fresnovalves.com](http://www.fresnovalves.com)

**Effective August 20, 2022**

---

This price list supercedes all previous price lists. All prices are subject to change without notice.